



Helping Customers Innovate, Improve & Grow



Description

The VX-702 is a Voltage Controlled Crystal Oscillator that operates at the fundamental frequency of the internal fundamental crystal which enables the circuit to achieve low phase jitter performance over a wide operating temperature range. The VX-702 is housed in an industry standard hermetically sealed LCC package and available in tape and reel.

Features

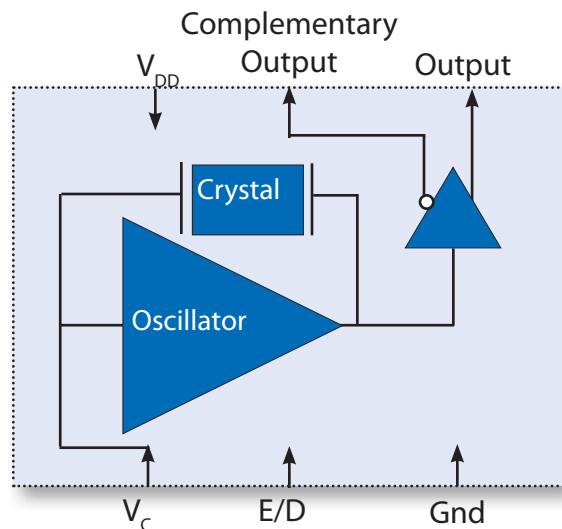
- Fundamental VCXO with no subharmonics or spurs
- Low Jitter, sub 1pS performance
- Output Frequencies from 1.024 MHz to 77.76 MHz
- 3.3 V Operation
- LVPECL Output
- Output Disable Feature
- Excellent ± 20 ppm temperature stability,
- 0/70°C or -40/85°C operating temperature
- Small Industry Standard Package, 5.0x7.5x1.8mm
- Product is free of lead and compliant to EC RoHS Directive



Applications

- Ideal for PLL circuits for clock smoothing and frequency translation
- SONET, SDH
 - Synchronous Ethernet
 - Fiber Channel
 - LAN / WAN
 - Test and Measurement

Block Diagram



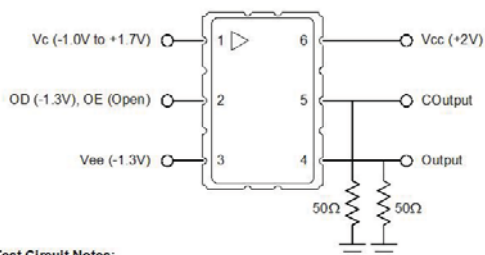
Performance Specifications

Table 1. Electrical Performance

Parameter	Symbol	Min	Typical	Maximum	Units
Supply					
Voltage ¹	V_{DD}	3.135	3.3	3.465	V
Current (No Load)	I_{DD}			65	mA
Frequency					
Nominal Frequency ²	f_N	1.024		77.76	MHz
Absolute Pull Range ^{3,6}	APR	± 50			ppm
Linearity ³	Lin		5	10	%
Gain Transfer Positive (See pg 5) ³	K_V		+90		ppm/V
Temperature Stability ³	f_{STAB}		± 20		ppm
Outputs					
Output Logic Levels ³ Output Logic High Output Logic Low	V_{OH} V_{OL}	$V_{DD} - 1.025$ $V_{DD} - 1.810$	$V_{DD} - 0.950$ $V_{DD} - 1.700$	$V_{DD} - 0.880$ $V_{DD} - 1.620$	V
Current	I_{OUT}			20	mA
Rise Time ⁴ Fall Time	t_R t_F			1	ns
Symmetry ³	SYM	45	50	55	%
Jitter (12 kHz - 20 MHz BW) 50.00MHz ⁵	ϕ_J		0.8		ps
Jitter (50 kHz - 80 MHz BW) 50.00MHz ⁵	ϕ_J		1.0		ps
Period Jitter, RMS (50.00 MHz) ⁷	ϕ_J		3.0		ps
Period Jitter, Peak - Peak (50.00 MHz) ⁷	ϕ_J		20		ps
Control Voltage					
Control Voltage Range for APR	V_C	0.3		3.0	V
Control Voltage Input Leakage	I_{IN}			1	μA
Control Voltage Modulation BW	BW	20	100		kHz
Enable/Disable					
Output Enabled ⁸	V_{IH}	$0.9 * V_{DD}$			V
Output Disabled	V_{IL}			$0.1 * V_{DD}$	
Operating Temperature	T_{OP}	0/70 or -40/85			$^{\circ}C$
Package Size		5.0 x 7.5 x 1.8			mm

- 1] The VX-702 power supply should be filtered, eg, 0.1 and 0.01 μF to ground
- 2] See Standard Frequencies and Ordering Information tables for more specific information
- 3] Parameters are tested with production test circuit below (Fig 1).
- 4] Measured from 20% to 80% of a full output swing (Fig 2).
- 5] Integrated across stated bandwidth.
- 6] Tested with $V_C = 0.3V$ to $3.0V$ unless otherwise stated in part description
- 7] Broadband Period Jitter measured using Lecroy Wavemaster 8600A 6 GHz Oscilloscope, 25K samples taken
- 8] Output is Enabled if E/D is left floating

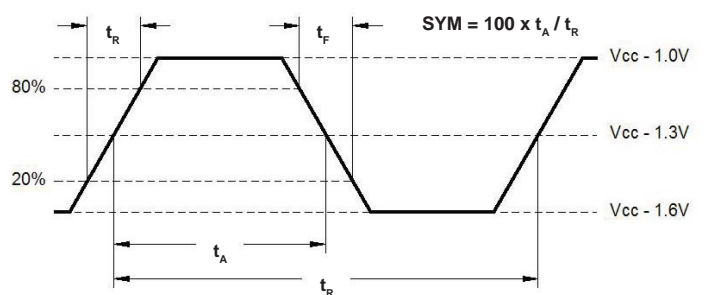
Fig 1: Test Circuit



Test Circuit Notes:

- 1) To Permit 50 Ω Measurement of Outputs, all DC Inputs are Biased Down 1.3V.
- 2) All Voltage Sources Contain Bypass Capacitors to Minimize Supply Noise.
- 3) 50 Ω Terminations are Within Test Equipment.

Fig 2: LVPECL Waveform



Outline Drawing & Pad Layout

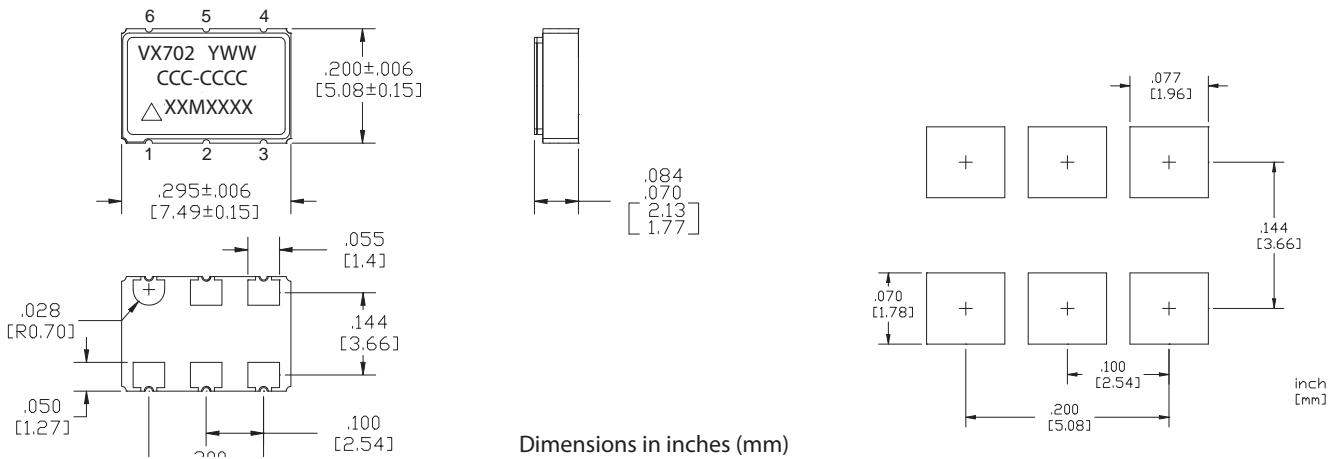
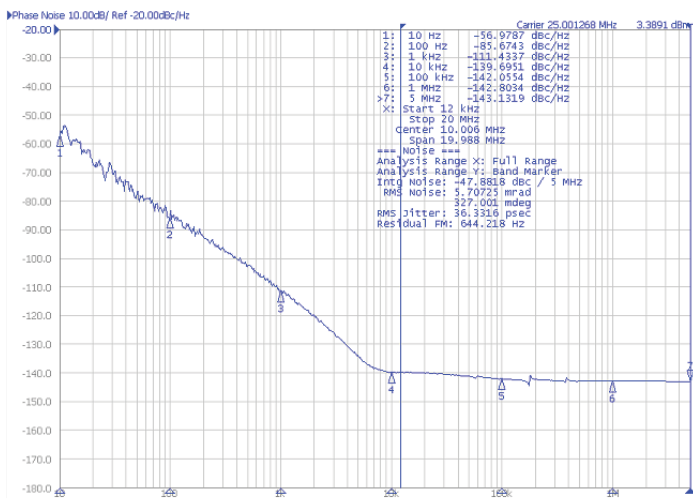


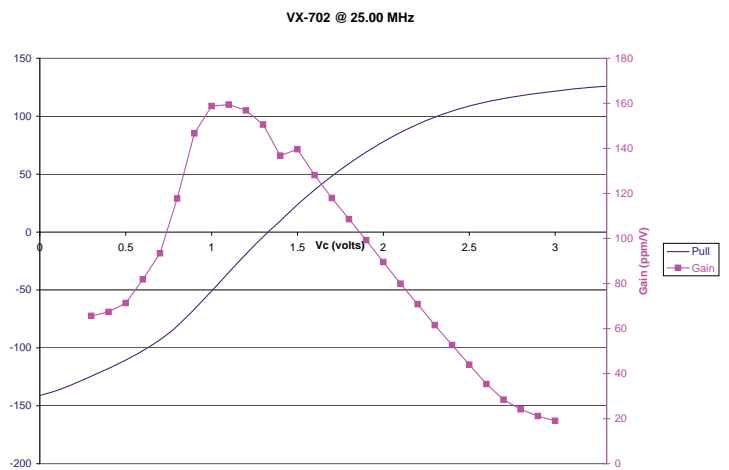
Table 2. Pin Out

Pin	Symbol	Function
1	V_C	VCXO Control Voltage
2	OE	Enable/Disable
3	GND	Case and Electrical Ground
4	Output	Output
5	COutput	Complementary Output
6	V_{CC}	Power Supply Voltage (3.3V ± 10%)

Typical Phase Noise



Typical Gain



Suggested Output Load Configurations

The VX-702 incorporates a standard PECL output scheme, which are un-terminated emitters as shown in Figure 3. There are numerous application notes on terminating and interfacing PECL logic and the two most common methods are a single resistor to ground, Figure 4, and a pull-up/pull-down scheme as shown in Figure 5. An AC coupling capacitor is optional, depending on the application and the input logic requirements of the next stage.

One of the most important considerations is terminating the Output and Complementary Outputs equally. An unused output should not be left un-terminated, and if one of the two outputs is left open it will result in excessive jitter on both. PC board layout must take this and 50 ohm impedance matching into account. Load matching and power supply noise are the main contributors to jitter related problems.

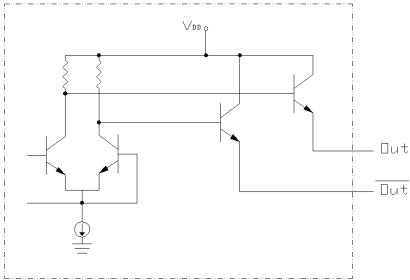


Figure 3 Standard PECL Output Configuration

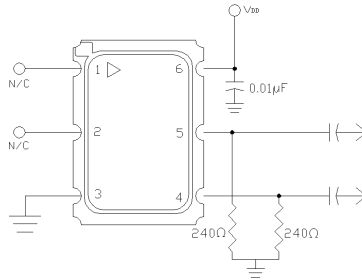


Figure 4 Single Resistor Termination Scheme
Resistor values are typically 120 to 240 ohms

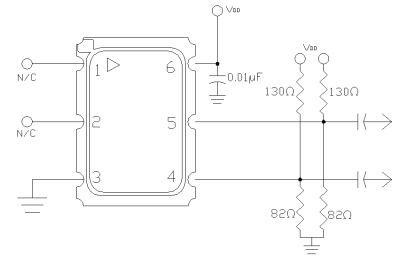


Figure 5 Pull-Up Pull-Down Termination

Reliability

VI qualification includes aging at various extreme temperatures, shock and vibration, temperature cycling, and IR reflow simulation. The VX-702 family is capable of meeting the following qualification tests:

Table 3. Environmental Compliance

Parameter	Conditions
Mechanical Shock	MIL-STD-883, Method 2002
Mechanical Vibration	MIL-STD-883, Method 2007
Solderability	MIL-STD-883, Method 2003
Gross and Fine Leak	MIL-STD-883, Method 1014
Resistance to Solvents	MIL-STD-883, Method 2015
Moisture Sensitivity Level	MSL 1
Contact Pads	Gold over Nickel

Stresses in excess of the absolute maximum ratings can permanently damage the device. Functional operation is not implied at these or any other conditions in excess of conditions represented in the operational sections of this datasheet. Exposure to absolute maximum ratings for extended periods may adversely affect device reliability. Permanent damage is also possible if OD or Vc is applied before Vcc.

Table 4. Absolute Maximum Ratings

Parameter	Symbol	Ratings	Unit
Power Supply	V_{DD}	0 to 6	V
Output Current	I_{OUT}	25	mA
Voltage Control Range	V_C	0 to V_{CC}	V
Storage Temperature	T_S	-55 to 125	°C
Soldering Temp/Time	T_{LS}	260 / 40	°C / sec

Although ESD protection circuitry has been designed into the VX-702 proper precautions should be taken when handling and mounting. VI employs a human body model (HBM) and a charged device model (CDM) for ESD susceptibility testing and design protection evaluation.

Table 5. ESD Ratings

Model	Minimum	Conditions
Human Body Model	500V	MIL-STD-883, Method 3015
Charged Device Model	500V	JESD22-C101

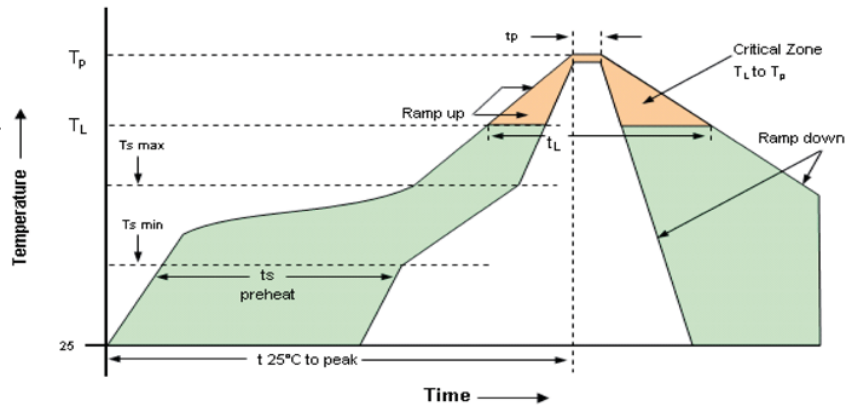
Table 6. Reflow Profile

Parameter	Symbol	Value
PreHeat Time Ts-min Ts-max	t_s	60 sec Min, 180 sec Max 150°C 200°C
Ramp Up	R_{UP}	3 °C/sec Max
Time Above 217 °C	t_L	60 sec Min, 150 sec Max
Time To Peak Temperature	T_{AMB-P}	480 sec Max
Time at 260 °C	t_p	20 sec Min, 40 sec Max
Ramp Down	R_{DN}	6 °C/sec Max

Solderprofile:

The device is qualified to meet the JEDEC standard for Pb-Free assembly. The temperatures and time intervals listed are based on the Pb-Free small body requirements. The VX-702 device is hermetically sealed so an aqueous wash is not an issue.

Termination Plating:
Electroless Gold Plate over Nickel Plate



Tape & Reel (EIA-481-2-A)

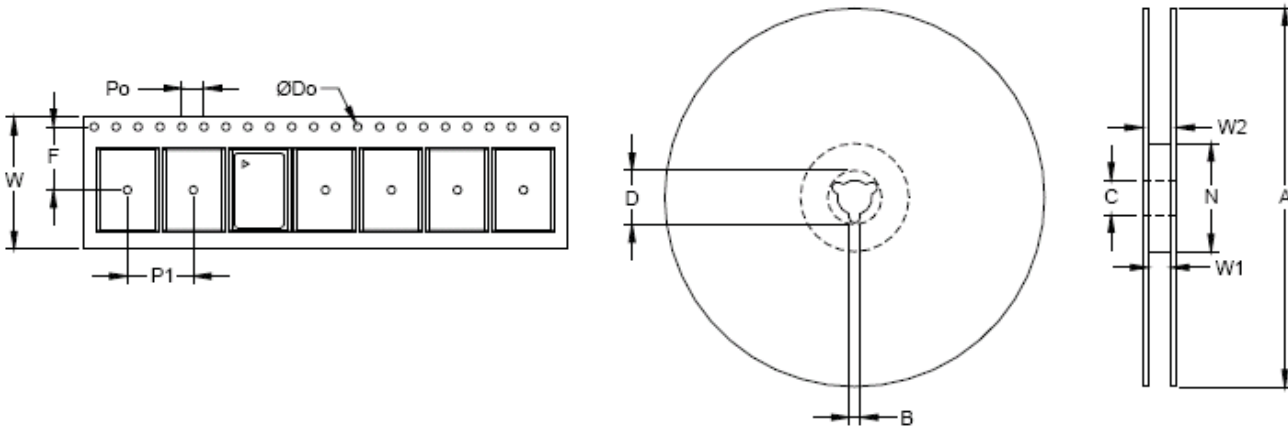


Table 7. Tape and Reel Information

Dimension	Tape Dimensions (mm)					Reel Dimensions (mm)							# Per Reel
	W	F	Do	Po	P1	A	B	C	D	N	W1	W2	
Tolerance	Typ	Typ	Typ	Typ	Typ	Typ	Min	Typ	Min	Min	Typ	Max	
VX-702	16	7.5	1.5	4	8	178	1.5	13	20.2	50	16.4	22.4	200

Table 8. Standard Output Frequencies (MHz)

2.04800	10.00000	10.24000	16.38400	19.44000	21.12000	24.70400	25.00000
27.00000	27.12000	32.00000	36.00000	38.88000	40.00000	44.43430	47.85000
50.00000	51.200000	51.84000	54.00000	57.60000	61.44000	62.20800	62.50000
67.50000	70.00000	75.00000	76.80000	77.76000	78.64320		

Ordering Information

VX-702- E C E - K X A N - xxMxxxxxxxx

Product

VCXO, 5x7 Package

Voltage Options

E: +3.3 Vdc ±5%,

Output

C: LVPECL

Temp Range

T: 0/70°C

E: -40/85°C

Absolute Pull Range

K: ±50ppm

Frequency in MHz

Other (Future Use)

N: Standard

Enable/Disable

A: Enable High

Stability

X: Standard

E: ±20ppm Temperature Stability

**Note: not all combination of options are available.
Other specifications may be available upon request.*

Example: VX-702-ECE-KXAN-51M8400000

For Additional Information, Please Contact

USA:

Vectron International
267 Lowell Road
Hudson, NH 03051
Tel: 1.888.328.7661
Fax: 1.888.329.8328

Europe:

Vectron International
Landstrasse, D-74924
Neckarbischofsheim, Germany
Tel: +49 (0) 3328.4784.17
Fax: +49 (0) 3328.4784.30

Asia:

Vectron International
1F-2F, No 8 Workshop, No 308 Fenju Road
WaiGaoQiao Free Trade Zone
Pudong, Shanghai, China 200131
Tel: 86.21.5048.0777
Fax: 86.21.5048.1881

Disclaimer

Vectron International reserves the right to make changes to the product(s) and or information contained herein without notice. No liability is assumed as a result of their use or application. No rights under any patent accompany the sale of any such product(s) or information.