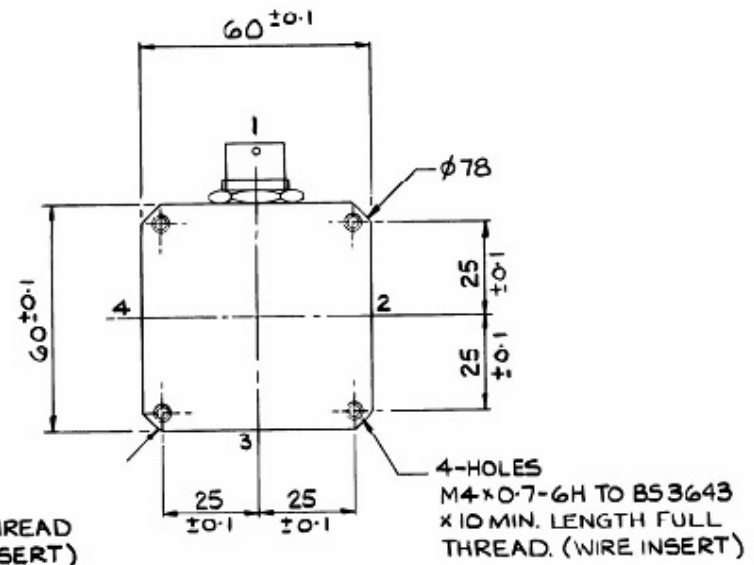
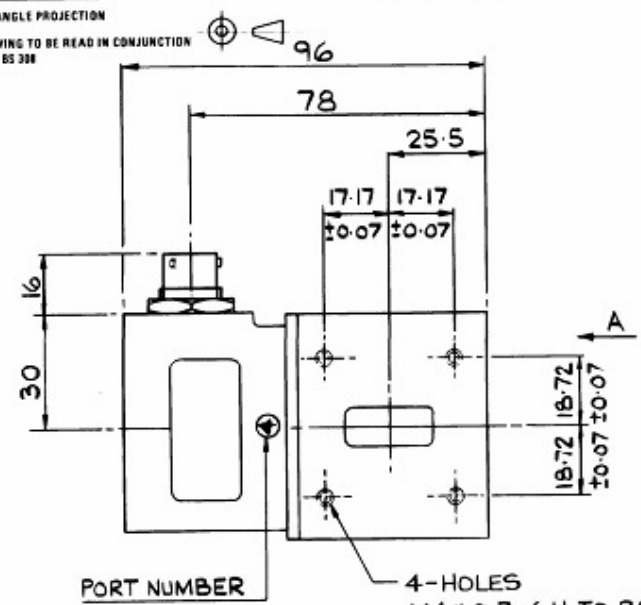
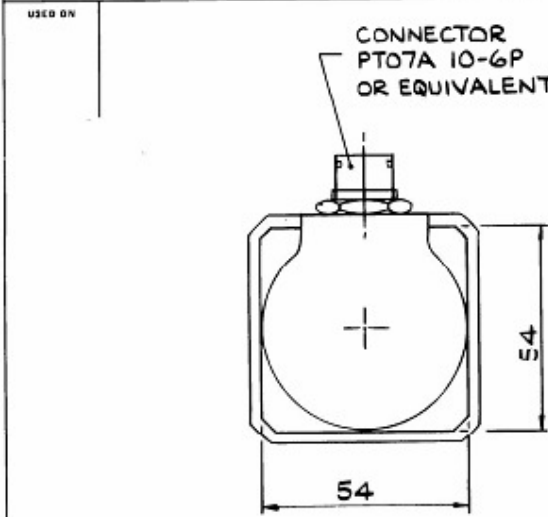


SECURITY CLASSIFICATION
SERVICE DRAWING NUMBER

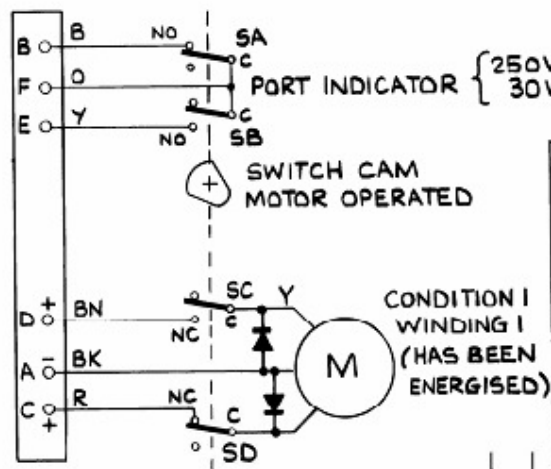
3RD ANGLE PROJECTION
DRAWING TO BE READ IN CONJUNCTION
WITH BS 308



SPECIFICATION

FREQUENCY RANGE. 7.05-10GHZ.
ISOLATION. >60dB.
INSERTION LOSS <0.05dB.
V.S.W.R. 1.05:1 MAX.
POWER RATING 350KW PEAK.
OPERATION AUTOMATIC.
SUPPLY 18-28V. 2AMP AT 25°C.
TIME BETWEEN CONSECUTIVE OPERATIONS. GREATER THAN 1SEC.
SWITCHING SPEED 500mSEC. MAX.
TEMPERATURE RANGE -40°C TO 85°C OPERATING.
MATING FLANGE(BASIC) UBR B4
ESTIMATED WEIGHT 750gms.

PT
CONNECTOR



CONDITION	18-28V POWER		PORT REFERENCE IN DIRECTION OF ARROW A	AUXILIARY CIRCUIT CONNECTED.	
	+	-		PIN	PIN
1	D	A	4 3	2	F B
2	C	A	4 3	2	F E

D.A.
DATE
PROD. REL.
DATE
ENG. APP.
DATE
CHECKED
DATE
DRAWN
DATE

ORIGINAL SCALE 1/1
DO NOT SCALE PRINT
DIMENSIONS IN. m.m.
CERTIFIED AT ISSUE

MATERIAL SWITCH BODY ALUMINIUM ALLOY.

PROTECTIVE FINISH STATOR ALOCROM 1200

GENERAL TOLERANCE UNLESS OTHERWISE STATED ±0.5
FINISH TO BE UNLESS OTHERWISE STATED

RESPONSIBLE AUTHORITY
TITLE
OUTLINE DRAWING
ROTARY SWITCH
MWS 15-42/6506

SECURITY CLASSIFICATION
CONTRACTORS DRAWING NUMBER A2/6506
SERVICE DRAWING NUMBER
SHEET 1 OF 1 SHEETS

2	ECN/M/4038
1	DRN2200

REF.	FEATURE SIZE	NO. OF CHARACTER	POS. TOL.	ISSUE	DATE	MOD. No.