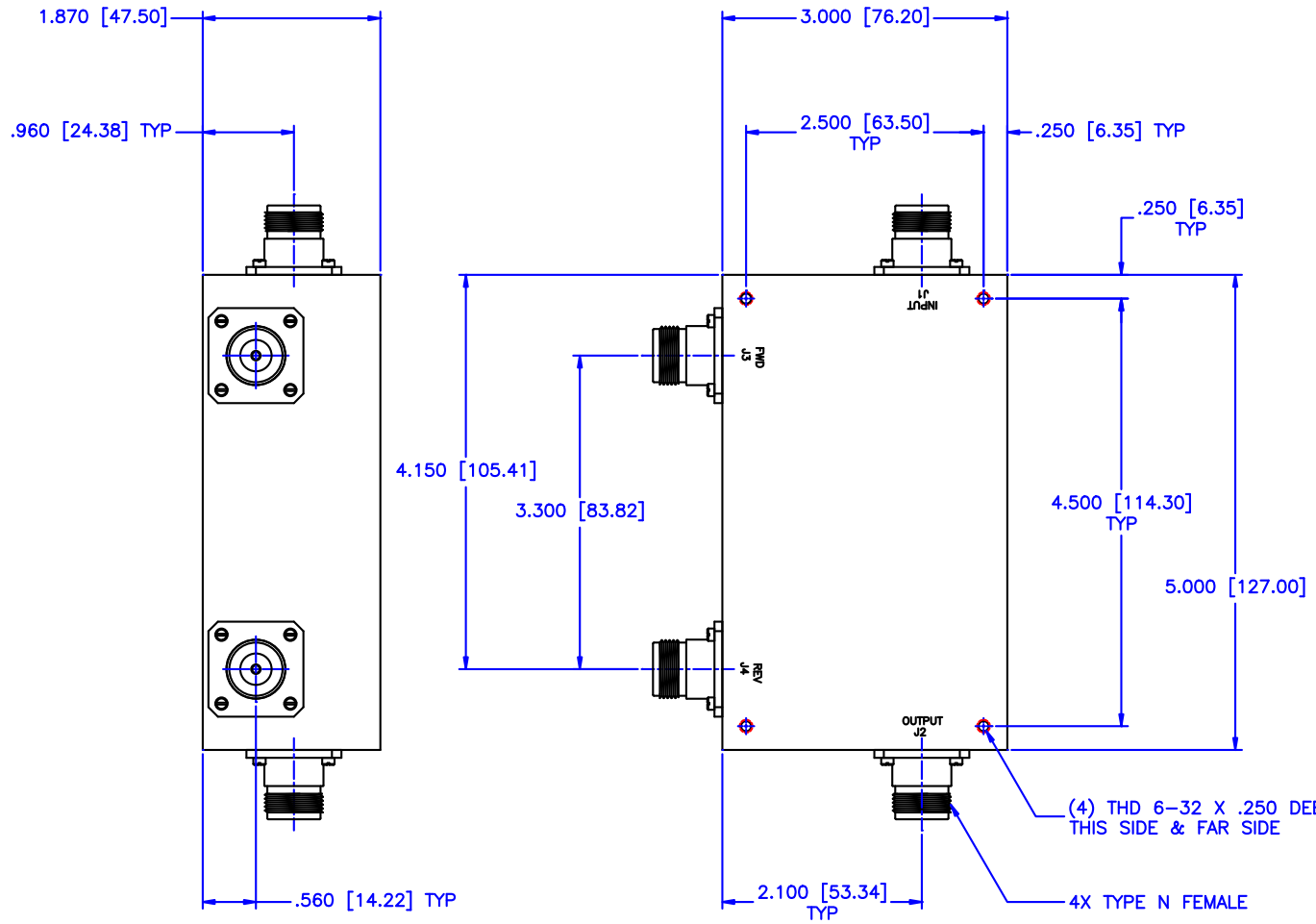


REVISIONS				
ZONE	REV	DESCRIPTION	DATE	APPROVED



**SPECIFICATIONS**

- FREQUENCY RANGE: 10-100 MHz
- FREQUENCY SENSITIVITY:  $\pm 0.50$ dB
- INSERTION LOSS: 0.20dB Max.
- DIRECTIVITY: 20dB Min.
- VSWR PRIME LINE: 1.15:1 Max.
- POWER: 1500 Watts

MATERIAL:		<b>MCLI</b> MICROWAVE COMMUNICATIONS LABORATORIES INC. 7255 30TH AVE. N. SAINT PETERSBURG, FL 33710 TEL: (727) 344-6254 FAX: (727) 381-6116 <a href="http://WWW.MCLI.COM">http://WWW.MCLI.COM</a>	SCALE: N/A
			SHEET: N/A
UNLESS OTHERWISE SPECIFIED: TOLERANCES IN (INCHES) OR [mm] (MILLIMETERS) FRACTIONS: $\pm 1/64$ DECIMALS: $\pm 0.01 \pm 0.005$ ANGLE: $\pm 1/2^\circ$		DRAWING TITLE: <b>HIGH POWER DUAL DIRECTIONAL COUPLER</b>	
DRAWN: Paiboon Luekhamhan		PART NO.: HDL-1-50	
DATE: 03-26-1999		CAGE CODE: OD2L5	
APPROVED: T. Nguyen		DATE: 03-26-1999	
THIRD ANGLE PROJECTION		SIZE: C	REV: N/A
		DWG NO.: 81237	
DO NOT SCALE THE DRAWING			