

WR-102 Standard Gain Horn Antenna Operates From 7 GHz to 11 GHz With a Nominal 15 dB Gain WR-102 Input

TECHNICAL DATA SHEET

PE9857-15

WR-102 Standard Gain Horn Antenna Operates From 7 GHz to 11 GHz With a Nominal 15 dB Gain WR-102 Input

Configuration

Design	WR-102 Standard Gain Horn
Frequency Range, GHz	7 to 11
Polarization	Linear
Interface 1	WR-102

Electrical Specifications

Nominal Gain, dB	15
------------------	----

Mechanical Specifications

Size

Length, in [mm]	6.15 [156.21]
Width, in [mm]	3.145 [79.88]
Height, in [mm]	2.355 [59.82]

Compliance Certifications (visit www.Pasternack.com for current document)

Plotted and Other Data

2 Dimensional OML Drawing	PE9857-15
Notes:	Values at 25 °C, sea level

WR-102 Standard Gain Horn Antenna Operates From 7 GHz to 11 GHz With a Nominal 15 dB Gain WR-102 Input from Pasternack Enterprises has same day shipment for domestic and International orders. Our RF, microwave and fiber optic products maintain a 99% availability and are part of the broadest selection in the industry.

Click the following link (or enter part number in "SEARCH" on website) to obtain additional part information including price, inventory and certifications: [WR-102 Standard Gain Horn Antenna Operates From 7 GHz to 11 GHz With a Nominal 15 dB Gain WR-102 Input PE9857-15](http://www.pasternack.com/standard-gain-horn-waveguide-size-wr102-pe9857-15-p.aspx)

URL: <http://www.pasternack.com/standard-gain-horn-waveguide-size-wr102-pe9857-15-p.aspx>

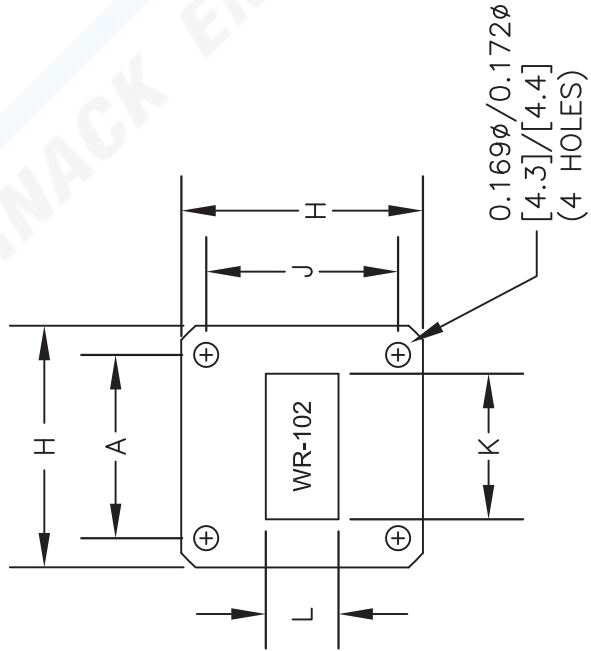
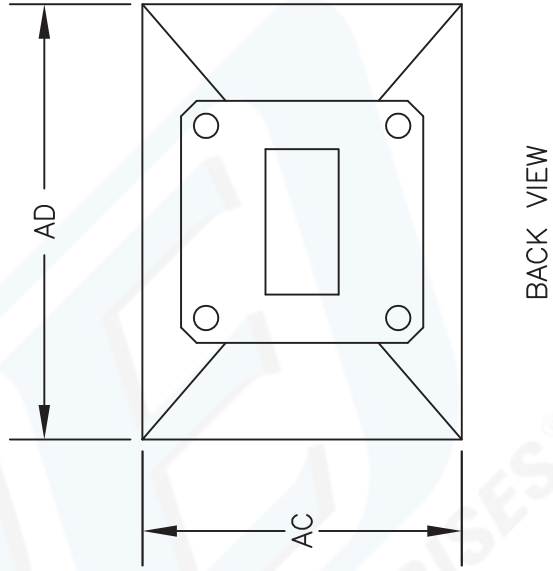
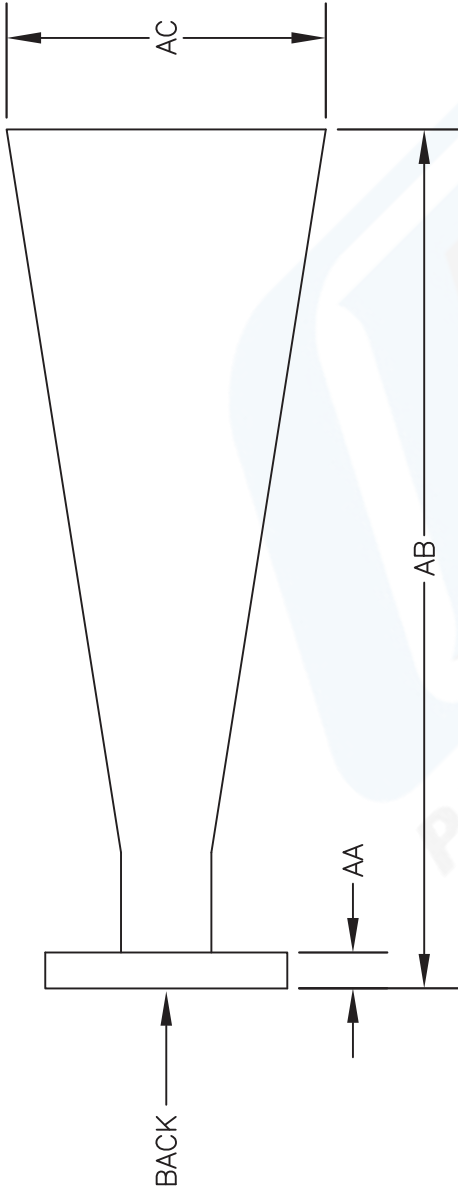
The information contained in this document is accurate to the best of our knowledge and representative of the part described herein. It may be necessary to make modifications to the part and/or the documentation of the part, in order to implement improvements. Pasternack reserves the right to make such changes as required. Unless otherwise stated, all specifications are nominal.

PE9857-15 CAD Drawing

WR-102 Standard Gain Horn Antenna Operates From 7 GHz to 11 GHz With a Nominal 15 dB Gain WR-102 Input

WR102 Dimension	Inches	mm
A	1.280	32.51
H	1.688	42.88
J	1.340	34.04
K (± 0.003)	1.020	25.91
L (± 0.003)	0.510	12.95

AA	0.250	6.35
AB	6.000	152.40
AC	2.230	56.64
AD	3.040	77.22



DWG TITLE

PE9857-15

NOTES:
 1. UNLESS OTHERWISE SPECIFIED ALL DIMENSIONS ARE NOMINAL.
 2. ALL SPECIFICATIONS ARE SUBJECT TO CHANGE WITHOUT NOTICE AT ANY TIME.
 3. DIMENSIONS ARE IN INCHES [mm].

FSCM NO. 53919

CAD FILE 100813

SCALE N/A

SIZE A

2233

PE PASTERNAK®

Pasternack Enterprises, Inc.
 P.O. Box 16759 | Irvine | CA | 92623
 Phone: (949) 261-1920 | Fax: (949) 261-7451
 Website: www.pasternack.com | E-Mail: sales@pasternack.com