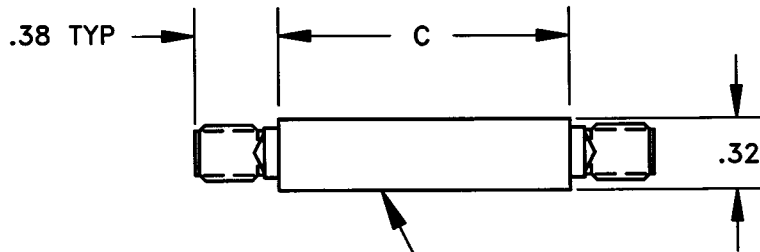
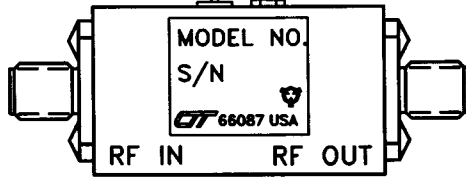


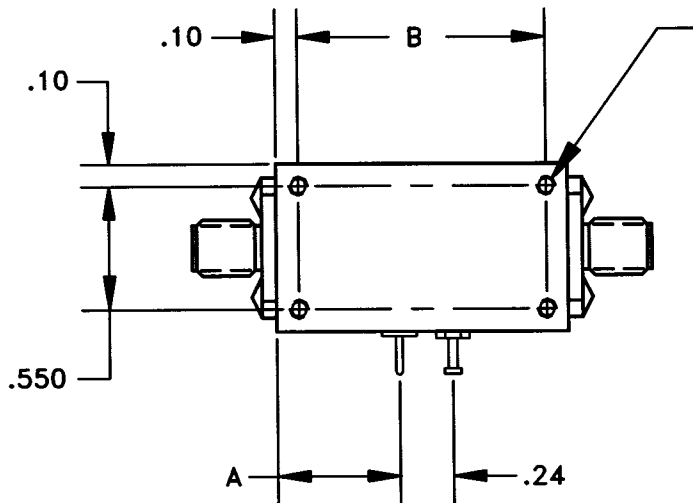
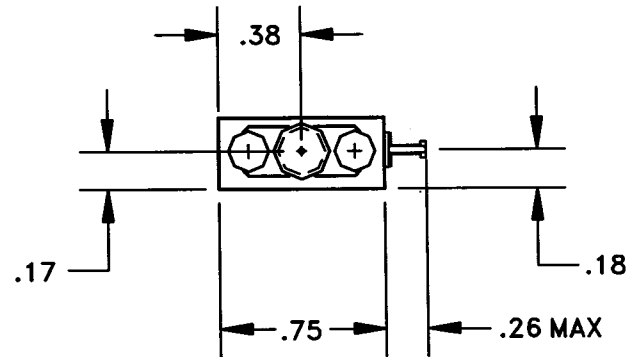
DC INPUT
POS SUPPLY

GND

SMA 2.9 OR K FEMALE CONN.
2 PLACES



MTG SURFACE



NO. 2-56UNC-2B X .10 DEEP MAX
4 HOLES

DIMENSIONS IN INCHES

SERIES	DIMENSIONS		
	A	B	C
GK2	0.36	0.710	0.91
GK3	0.55	0.910	1.11
GK4	0.55	1.110	1.31
GK5	0.95	1.300	1.51
GK6	0.95	1.500	1.70
GK7	1.15	1.700	1.90
GK8	1.15	1.900	2.10
GK9	1.35	2.095	2.30
GK10	1.35	2.290	2.49
GK11	1.35	2.495	2.69