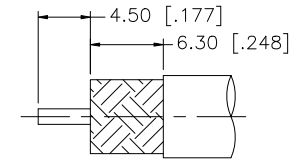
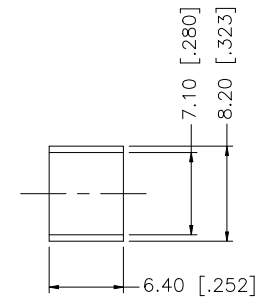
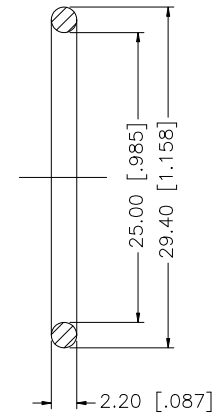
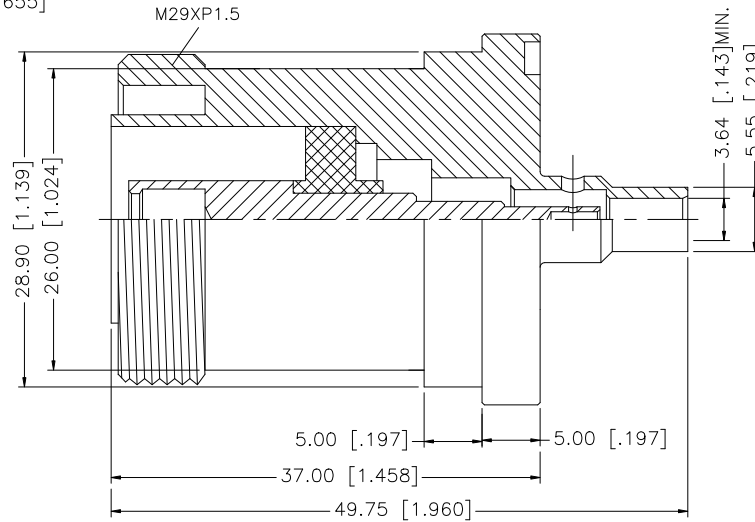
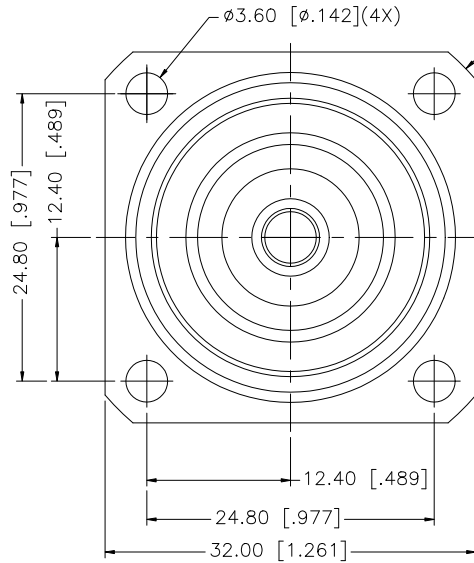


REV.	DATE	ECR NO.	DESCRIPTION
A	12/29/00	-	UPDATE PLATING TO SILVER
B	02/08/01	-	ADD FERRULE, UPDATE BARREL DIMS
C	03/17/09	-	REVISE PART CONFIGURATION



RECOMMENDED
CABLE STRIPPING DIM'S.

- NOTES:
 1. FERRULE TO SOLDER
 2. CONTACT PIN TO SOLDER

DESCRIPTION	MATERIAL	FINISH	QTY
8			
7 COVER	P.E.	BLUE	1
6 FERRULE	BRASS	SILVER	1
5 GASKET	N.B.R.	BLACK	1
4 BARREL	BRASS	SILVER	1
3 CONTACT PIN	BER. COPPER	SILVER	1
2 INSULATOR	PTFE	NATURAL	1
1 BODY	BRASS	SILVER	1

UNLESS OTHERWISE SPECIFIED DIMENSIONS ARE IN MILLIMETERS. DIMENSIONS IN [] ARE IN INCHES AND FOR CUSTOMER REFERENCE ONLY.

UNLESS OTHERWISE SPECIFIED TOLERANCES FOR MILLIMETERS ARE:
 0.5 - 8mm ± 0.20mm
 8 - 30mm ± 0.40mm
 30 - 120mm ± 0.50mm

UNLESS OTHERWISE SPECIFIED TOLERANCES FOR INCHES ARE:
 .020 - .315 ± 0.007"
 .315 - 1.180 ± 0.015"
 1.180 - 4.724 ± 0.020"

DO NOT SCALE DRAWING

APPROVALS	DATE
DRAWN GRS	03/17/09
CHECKED	
ISSUED	
SHEET 1 OF 1	
CAD FILE	C:/272/272100-10.DWG

Amphenol Connex

PART DESCRIPTION			
7/16 PANEL DIRECT SOLDER JACK (FOR .141" SEMI RIGID CABLE)			
PART NO.			
272100-10			
DWG. NO.	REV.	SIZE	SCALE
272100-10.DWG	C	A	NA