



RF-LAMBDA

The power beyond expectations

ROTARY KNOB MANUAL CONTROL STEP ATTENUATOR (DC-8GHZ 10DB RANGE)

Product description

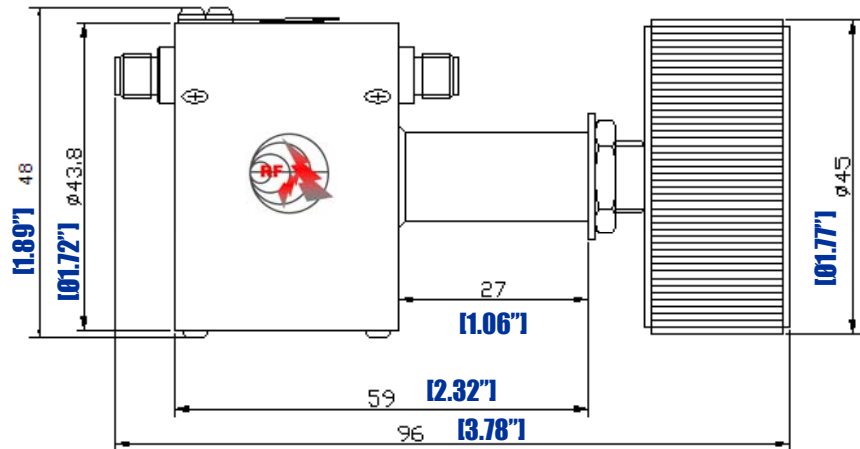
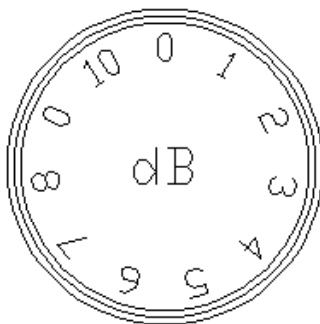
- Very small package and broadband performance
- Adjustable during operation
- Excellent Repeatability low deviation
- Low Deviation from Nominal Value
- 50Ω impedance
- Higher power is available upon request
- Custom Configurations Available Upon Request.
- 2W CW average power
- Custom Configurations Available Upon Request.



Applications:

Include Communication, 3G, Digital Transmission, Radar, Military, Broadcast & Television, science & Research department etc.

Part Number	Frequency	Power (Watts)	Attenuation Range (dB)	Attenuation Step (dB)	VSWR max.	Insertion Loss (dB)	Accuracy (dB)
RKT2G8A10	DC-8.00	2	10	1.0	1.4	<1	+/-0.5dB



PN: **RKT 2 G X A 10**

Manual Control Attenuator
Power Handle In Watt
Freq Unit GHz
Freq Number
Product Type
Attenuation Range

Connector: SMA type, weight: 250g

Temperature (Operational): -10° C ~ +50° C (Storage) -40° C ~ +70° C

MANUAL CONTROL ROTARY ATTENUATOR (DC-8GHZ 10DB RANGE)