

ATTENUATORS

TNC / CONDUCTION COOLED

DC - 4 GHz
50 WATTS



MODELS: 2042T-XX, 2042T-XXF & 2042T-XXM

SPECIFICATIONS:

Electrical:

Frequency Range _____ DC - 4.0 GHz
 Standard dB Values* _____ 3, 6, 10, 20, 30 & 40 dB
 Attenuation Accuracy DC - 2 GHz _____ 2 - 4 GHz _____
 3 & 6 dB _____ ±0.30 dB _____ ±0.50 dB
 10 & 20 dB _____ ±0.50 dB _____ ±0.75 dB
 30 & 40 dB _____ ±1.00 dB _____ ±1.50 dB

VSWR:

DC - 2 GHz _____ 1.25:1 Max.
 2 - 4 GHz _____ 1.35:1 Max.
 Input Power** _____ 50 Watts Avg. @ 25°C
 DERATED LINEARLY TO 5 WATTS @ +125°C

Peak Power _____ 1000 Watts Max.
 (5uSec Pulse, .05% Duty Cycle)

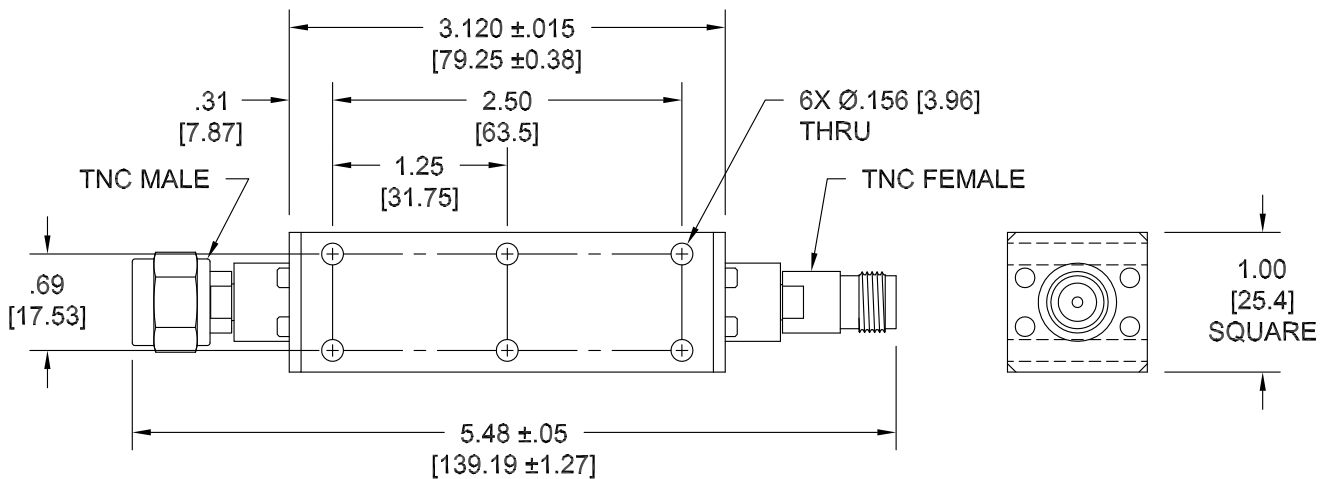
Impedance _____ 50 Ohms
 Operating Temp Range _____ -55°C to +125°C

Mechanical:

TNC Connectors _____ Passivated Stainless Steel
 Mates with MIL-STD-348
 Conductors _____ Gold Plated Beryllium Copper
 Housing _____ Anodized Aluminum

**Power handling capacity is dependant upon proper heatsinking. Surface temperature of unit shall not exceed 125°C for specifications shown. Unit is a unidirectional device. Input shall be at male port unless otherwise specified.

Model Number: 2042T-XX	Model Number: 2042T-XXF	Model Number: 2042T-XXM
Male/Female Connectors	Female/Female Connectors	Male/Male Connectors
Length: 5.48 ±0.05 [139.19 ±1.27]	Length: 5.57 ±0.05 [141.48 ±1.27]	Length: 5.38 ±0.05 [136.65 ±1.27]
Pictured		



HOW TO ORDER:

Model Number: **2042T-XXY**

dB Value _____
 Connector Configuration _____
 = Male/Female
 F = Fem/Fem
 M = Male/Male

Ordering Examples:

Model Number: **2042T-20**
 DC - 4 GHz; 20 dB; TNC - Male/Fem

Model Number: **2042T-02F**
 DC - 4 GHz; 2 dB; TNC - Fem/Fem

Note: Dimensions in Brackets are Expressed in Millimeters and are for Reference Only.
 Design specifications are subject to change without notice.
 Contact factory for technical specifications before purchasing or use.