



带8KB数据记录存储器的 Hygrochron温度/湿度记录器iButton

DS1923

概述

DS1923温度/湿度记录器iButton®是一种坚固耐用的自供电产品，它能测量温度和/或湿度，并把所测得的数据存入具有保护功能的存储器。用户可以自行设定记录速率，以1秒至273小时的等时间间隔记录8192个8位采样数据或4096个16位采样数据。另外，器件内还含有512字节特定应用信息SRAM和64字节的数据校准SRAM。用户可以自行设定数据采样任务立即启动，也可以在用户自定义延时之后或是在温度报警之后才开始采样。其存储器的访问和控制命令的执行受密码保护。DS1923遵照串行1-Wire®协议与主机器件进行通信，仅需要单根数据线和一根地线即可实现。每片DS1923具有唯一的64位序列号，它是在出厂时光刻在芯片上的，因此可确保器件的绝对可跟踪性。其坚固的不锈钢外壳具有防污垢、防撞击、防潮等特点，能够适应恶劣的环境。另外，与DS1923配套的附件使其能够安装在任何物体上，如：容器、货盘及包装袋等。

应用

食品加工和处理过程中的温度和湿度记录
温度和湿度敏感商品及工业产品运输过程中的监控
仓库监控
环境研究/监测

特性

- ◆ 数字湿度计，测量湿度的分辨率为8位(0.6%RH)或12位(0.04%RH)
- ◆ 工作范围：温度-20°C至+85°C；湿度0至100%RH (参见安全工作范围图)
- ◆ 自动唤醒测量温度/湿度，并把测量数据以8位或16位格式保存在8KB数据记录存储器中
- ◆ 数字温度计，测量温度的分辨率为8位(0.5°C)或11位(0.0625°C)
- ◆ 在-10°C至+65°C范围内，经过软件校准后的测温精度高于±0.5°C
- ◆ 内置容性高分子湿度传感器，可记录湿度
- ◆ 带有防水层，能使传感器免受灰尘、污垢、污染的影响并可在较短的时间内浸入水中或处于水气严重的环境中
- ◆ 采样速率为1秒至273小时
- ◆ 可设定开始延时时间，可以在定时器到点之后或在达到温度报警触发点之后开始记录数据
- ◆ 温度与湿度报警的高、低触发门限值都可自行设置

iButton和1-Wire是Maxim Integrated Products, Inc.的注册商标。



- ◆ 通过1-Wire的条件搜索功能命令可以快速访问报警器件
- ◆ 内含512字节通用存储器和64字节的校准存储器
- ◆ 所有存储器与配置寄存器都有两级加密保护
- ◆ 遵循1-Wire协议，采用单根数字信号与主机通信，标准速度模式下其通信速率可达15.4kbps，高速模式下可达125kbps
- ◆ 分别在NIST可追溯的标定室进行校准
- ◆ 温度与湿度校准系数经工厂校准并存入器件的非易失性(NV)存储器

iButton的共性

- ◆ 通过瞬时接触即可完成数字识别和信息获取
- ◆ 唯一的、由工厂刻入器件的64位序列号，不存在任何两个序列号相同的器件，可保证每个器件的正确选择以及绝对可跟踪性
- ◆ 内置1-Wire网络多点控制器
- ◆ 基于芯片的数据载体提供了一种紧凑的信息存储方案
- ◆ 安装到某一物体上即可存取数据
- ◆ 纽扣外形很容易和杯状探头自对准
- ◆ 其唯一的序列号光刻在坚固的不锈钢外壳上，可以适应苛刻的环境
- ◆ 利用自粘胶垫、托架或环扣很容易将其固定
- ◆ 当读写器首次上电时即进行在线应答检测
- ◆ 符合UL 913标准(第四版)；绝对安全设备：通过I级、1区、A、B、C和D组指定的区域场合认证

订购信息

PART	TEMP RANGE	PIN-PACKAGE
DS1923-F5#	-20°C to +85°C	F5 iButton

#表示符合RoHS标准，器件可能含铅(Pb)，但拥有RoHS豁免权。

附件举例

PART	ACCESSORY
DS9096P	Self-Stick Adhesive Pad
DS9101	Multipurpose Clip
DS9093RA	Mounting Lock Ring
DS9093A	Snap-In FOB
DS9092	iButton Probe

引脚配置在数据资料的最后给出。

带8KB数据记录存储器的 Hygrochron温度/湿度记录器iButton

ABSOLUTE MAXIMUM RATINGS

IO Voltage Range Relative to GND-0.3V to +6V
IO Sink Current.....20mA

Operating Temperature
and Humidity Range-20°C to +85°C, 0 to 100%RH*
Storage Temperature
and Humidity Range-40°C to +85°C, 0 to 100%RH*

*See the *Safe Operating Range* graph.

Stresses beyond those listed under "Absolute Maximum Ratings" may cause permanent damage to the device. These are stress ratings only, and functional operation of the device at these or any other conditions beyond those indicated in the operational sections of the specifications is not implied. Exposure to absolute maximum rating conditions for extended periods may affect device reliability.

ELECTRICAL CHARACTERISTICS

($V_{PUP} = +3.0V$ to $+5.25V$, $T_A = -20^\circ C$ to $+85^\circ C$.)

PARAMETER	SYMBOL	CONDITIONS	MIN	TYP	MAX	UNITS
IO PIN: GENERAL DATA						
1-Wire Pullup Resistance	R_{PUP}	(Notes 1, 2)			2.2	$k\Omega$
Input Capacitance	C_{IO}	(Note 3)		100	800	pF
Input Load Current	I_L	IO pin at V_{PUP}		6	10	μA
High-to-Low Switching Threshold	V_{TL}	(Notes 4, 5)	0.4		3.2	V
Input Low Voltage	V_{IL}	(Notes 1, 6)			0.3	V
Low-to-High Switching Threshold	V_{TH}	(Notes 4, 7)	0.7		3.4	V
Switching Hysteresis	V_{HY}	(Note 8)	0.09		N/A	V
Output Low Voltage	V_{OL}	At 4mA (Note 9)			0.4	V
Recovery Time (Note 1)	t_{REC}	Standard speed, $R_{PUP} = 2.2k\Omega$	5			μs
		Overdrive speed, $R_{PUP} = 2.2k\Omega$	2			
		Overdrive speed directly prior to reset pulse, $R_{PUP} = 2.2k\Omega$	5			
Rising-Edge Hold-Off Time	t_{REH}	(Note 10)	0.6		2.0	μs
Time-Slot Duration (Note 1)	t_{SLOT}	Standard speed	65			μs
		Overdrive speed, $V_{PUP} > 4.5V$	8			
		Overdrive speed (Note 11)	9.5			
IO PIN: 1-Wire RESET, PRESENCE-DETECT CYCLE						
Reset Low Time (Note 1)	t_{RSTL}	Standard speed, $V_{PUP} > 4.5V$	480		720	μs
		Standard speed (Note 11)	690		720	
		Overdrive speed, $V_{PUP} > 4.5V$	48		80	
		Overdrive speed (Note 11)	70		80	
Presence-Detect High Time	t_{PDH}	Standard speed, $V_{PUP} > 4.5V$	15		60	μs
		Standard speed (Note 11)	15		63.5	
		Overdrive speed (Note 11)	2		7	
Presence-Detect Fall Time (Note 12)	t_{FPD}	Standard speed, $V_{PUP} > 4.5V$	1.5		5	μs
		Standard speed	1.5		8	
		Overdrive speed	0.15		1	

带8KB数据记录存储器的 Hygrochron温度/湿度记录器iButton

DS1923

ELECTRICAL CHARACTERISTICS (continued)

(V_{PUP} = +3.0V to +5.25V, T_A = -20°C to +85°C.)

PARAMETER	SYMBOL	CONDITIONS	MIN	TYP	MAX	UNITS
Presence-Detect Low Time	t _{PDL}	Standard speed, V _{PUP} > 4.5V	60		240	μs
		Standard speed (Note 11)	60		287	
		Overdrive speed, V _{PUP} > 4.5V (Note 11)	7		24	
		Overdrive speed (Note 11)	7		28	
Presence-Detect Sample Time (Note 1)	t _{MSP}	Standard speed, V _{PUP} > 4.5V	65		75	μs
		Standard speed	71.5		75	
		Overdrive speed	8		9	
IO PIN: 1-Wire WRITE						
Write-Zero Low Time (Note 1)	t _{W0L}	Standard speed	60		120	μs
		Overdrive speed, V _{PUP} > 4.5V (Note 11)	6		12	
		Overdrive speed (Note 11)	7.5		12	
Write-One Low Time (Notes 1, 13)	t _{W1L}	Standard speed	5		15 - ε	μs
		Overdrive speed	1		1.95 - ε	
IO PIN: 1-Wire READ						
Read Low Time (Notes 1, 14)	t _{RL}	Standard speed	5		15 - δ	μs
		Overdrive speed	1		1.95 - δ	
Read Sample Time (Notes 1, 14)	t _{MSR}	Standard speed	t _{RL} + δ		15	μs
		Overdrive speed	t _{RL} + δ		1.95	
REAL-TIME CLOCK (RTC)						
Accuracy		+25°C	-3		+3	Min/ Month
Frequency Deviation	ΔF	-20°C to +85°C	-300		+60	ppm
TEMPERATURE CONVERTER						
Conversion Time	t _{CONV}	8-bit mode (Note 15)	30		75	ms
		16-bit mode (11 bits)	240		600	
Thermal Response Time Constant	τ _{RESP}	iButton package (Note 16)		130		s
Conversion Error Without Software Correction	Δϑ	(Notes 15, 17, 18, 19)				See the <i>Temperature Accuracy</i> graph
Conversion Error with Software Correction	Δϑ	(Notes 15, 17, 18, 19)				See the <i>Temperature Accuracy</i> graph
HUMIDITY CONVERTER (Note 20)						
Humidity Response Time Constant	τ _{RH}	Slow moving air (Note 21)		30		s
RH Resolution		(Note 22)	8	12	12	Bits
			0.64	0.04	0.04	%RH
RH Range		(Note 23)	0		100	%RH

带8KB数据记录存储器的 Hygrochron温度/湿度记录器iButton

DS1923

ELECTRICAL CHARACTERISTICS (continued)

($V_{PUP} = +3.0V$ to $+5.25V$, $T_A = -20^{\circ}C$ to $+85^{\circ}C$.)

PARAMETER	SYMBOL	CONDITIONS	MIN	TYP	MAX	UNITS
RH Accuracy and Interchangeability		With software correction (Notes 18, 19, 24, 25, 26)		± 5		%RH
RH Nonlinearity		With software correction (Note 18)		< 1		
RH Hysteresis		(Notes 27, 28)		0.5		%RH
RH Repeatability		(Note 29)		± 0.5		%RH
Long-Term Stability		At 50%RH (Note 30)		< 1.0		%RH/year

Note 1: System requirement.

Note 2: Maximum allowable pullup resistance is a function of the number of 1-Wire devices in the system and 1-Wire recovery times. The specified value here applies to systems with only one device and with the minimum 1-Wire recovery times. For more heavily loaded systems, an active pullup such as that in the DS2480B may be required.

Note 3: Capacitance on the data pin could be 800pF when V_{PUP} is first applied. If a 2.2k Ω resistor is used to pull up the data line, 2.5 μ s after V_{PUP} has been applied, the parasite capacitance does not affect normal communications.

Note 4: V_{TL} and V_{TH} are a function of the internal supply voltage.

Note 5: Voltage below which, during a falling edge on IO, a logic 0 is detected.

Note 6: The voltage on IO must be less than or equal to V_{ILMAX} whenever the master drives the line low.

Note 7: Voltage above which, during a rising edge on IO, a logic 1 is detected.

Note 8: After V_{TH} is crossed during a rising edge on IO, the voltage on IO must drop by V_{HY} to be detected as logic 0.

Note 9: The I-V characteristic is linear for voltages less than 1V.

Note 10: The earliest recognition of a negative edge is possible at t_{REH} after V_{TH} has been previously reached.

Note 11: Numbers in **bold** are **not** in compliance with the published iButton standards. See the *Comparison Table*.

Note 12: Interval during the negative edge on IO at the beginning of a presence-detect pulse between the time at which the voltage is 90% of V_{PUP} and the time at which the voltage is 10% of V_{PUP} .

Note 13: ϵ in Figure 13 represents the time required for the pullup circuitry to pull the voltage on IO up from V_{IL} to V_{TH} .

Note 14: δ in Figure 13 represents the time required for the pullup circuitry to pull the voltage on IO up from V_{IL} to the input high threshold of the bus master.

Note 15: To conserve battery power, use 8-bit temperature logging whenever possible.

Note 16: This number was derived from a test conducted by Cemagref in Antony, France, in July 2000: www.cemagref.fr/English/index.htm Test Report No. E42.

Note 17: For software-corrected accuracy, assume correction using calibration coefficients with calibration equations for error compensation.

Note 18: Software correction for humidity and temperature is handled automatically using the 1-Wire Viewer Software package available at: <http://www.ibutton.com/cn>.

Note 19: Warning: Not for use as the sole method of measuring or tracking temperature and/or humidity in products and articles that could affect the health or safety of persons, plants, animals, or other living organisms, including but not limited to foods, beverages, pharmaceuticals, medications, blood and blood products, organs, and flammable and combustible products. User shall assure that redundant (or other primary) methods of testing and determining the handling methods, quality, and fitness of the articles and products should be implemented. Temperature and/or humidity tracking with this product, where the health or safety of the aforementioned persons or things could be adversely affected, is only recommended when supplemental or redundant information sources are used. Data-logger products are 100% tested and calibrated at time of manufacture by Maxim to ensure that they meet all data sheet parameters, including temperature accuracy. User shall be responsible for proper use and storage of this product. As with any sensor-based product, user shall also be responsible for occasionally rechecking the accuracy of the product to ensure it is still operating properly.

Note 20: All humidity specifications are determined at $+25^{\circ}C$ except where specifically indicated.

Note 21: Response time is determined by measuring the 1/e point as the device transitions from 40%RH to 90%RH or 90%RH to 40%RH, whichever is slower. Test was performed at 5L/min airflow.

Note 22: All DS1923 humidity measurements are 12-bit readings. Missioning determines 8-bit or 16-bit data logging. Battery life-time is the same no matter what RH resolution is logged.

Note 23: Reliability studies have shown that the device survives a minimum of 1000 cycles of condensation and drying, but this product is not guaranteed for extended use in condensing environments.

带8KB数据记录存储器的 Hygrochron温度/湿度记录器iButton

DS1923

ELECTRICAL CHARACTERISTICS (continued)

(V_{PUP} = +3.0V to +5.25V, T_A = -20°C to +85°C.)

- Note 24:** Software-corrected accuracy is accomplished using the method detailed in the *Software Correction Algorithm for Temperature* section.
- Note 25:** Every DS1923 device is measured and calibrated in a controlled, NIST-traceable RH environment.
- Note 26:** Higher accuracy versions may be available. Contact the factory for details.
- Note 27:** If this device is exposed to a high humidity environment (> 70%RH), and then exposed to a lower RH environment, the device reads high for a period of time. The device typically reads within +0.5%RH at 20%RH, 30 minutes after being exposed to continuous 80%RH for 30 minutes.
- Note 28:** All capacitive RH sensors can change their reading depending upon how long they have spent at high (> 70%RH) or low RH (< 20%RH). This effect is called saturation drift and can be compensated through software, as described in the *Software Saturation Drift Compensation* section.
- Note 29:** Individual RH readings always include a noise component (repeatability). To minimize measurement error, average as many samples as is reasonable.
- Note 30:** Like all relative humidity sensors, when exposed to contaminants and/or conditions toward the limits of the safe operating range, accuracy degradation can result (see the *Safe Operating Range* graph). For maximum long-term stability, the sensor should not be exposed or subjected to organic solvents, corrosive agents (e.g., strong acids, SO₂, H₂SO₄, Cl₂, HCL, H₂S) and strong bases (i.e., compounds with a pH greater than 7). Dust settling on the filter surface does not affect the sensor performance except to possibly decrease the speed of response. For more information on the RH sensor's tolerance to chemicals visit: http://content.honeywell.com/sensing/prodinfo/humiditymoisture/technical/c15_144.pdf.

对照表

PARAMETER	LEGACY VALUES				DS1923 VALUES			
	STANDARD SPEED (μ s)		OVERDRIVE SPEED (μ s)		STANDARD SPEED (μ s)		OVERDRIVE SPEED (μ s)	
	MIN	MAX	MIN	MAX	MIN	MAX	MIN	MAX
t _{SLOT} (including t _{REC})	61	(undefined)	7	(undefined)	65	(undefined)	9.5	(undefined)
t _{RSTL}	480	(undefined)	48	80	690	720	70	80
t _{PDH}	15	60	2	6	15	63.5	2	7
t _{PDL}	60	240	8	24	60	287	7	28
t _{WOL}	60	120	6	16	60	120	7.5	12

*特意更改；由于1-Wire前端的改动，需要更长的恢复时间。

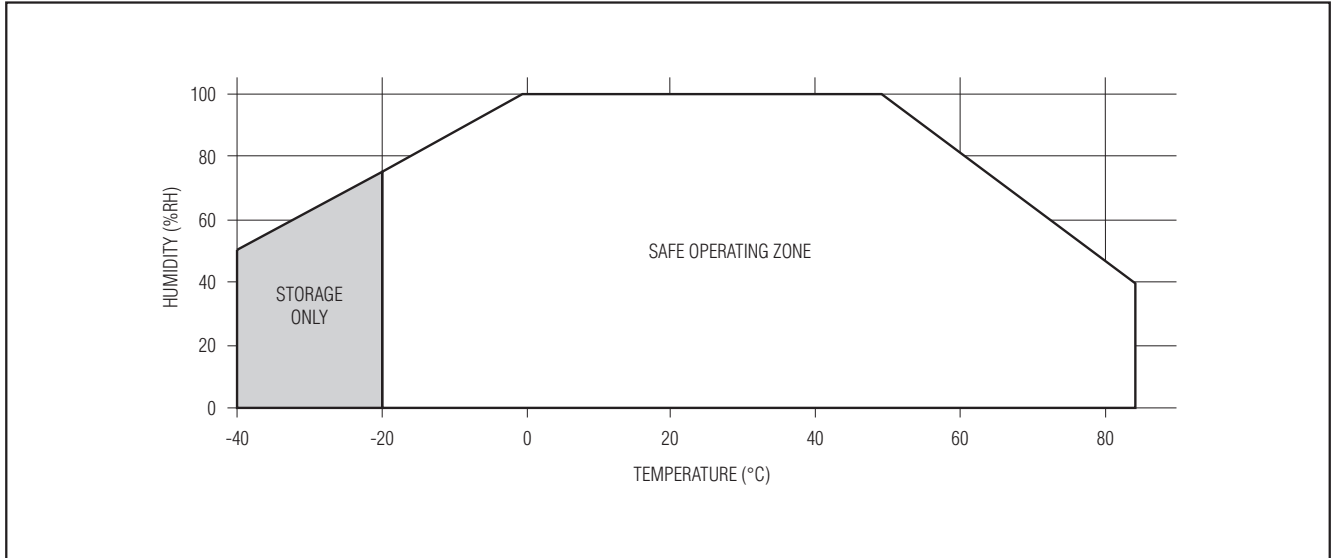
注：粗体数字与发布的iButton标准不兼容。

iButton的物理特性

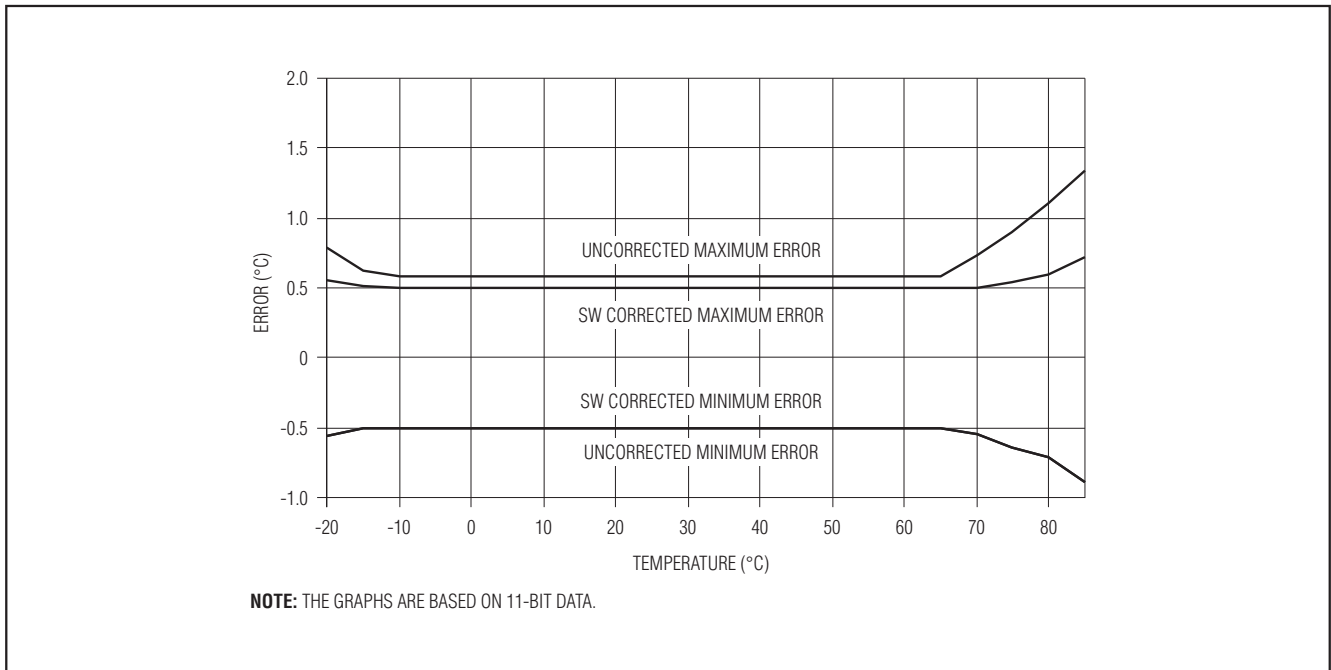
SIZE	See the <i>Package Information</i> section.
WEIGHT	Ca. 5.0 grams
SAFETY	Meets UL 913 (4th Edit.); Intrinsically Safe Apparatus, approval under Entity Concept for use in Class I, Division 1, Group A, B, C, and D Locations.

带8KB数据记录存储器的 Hygrochron温度/湿度记录器iButton

安全工作范围



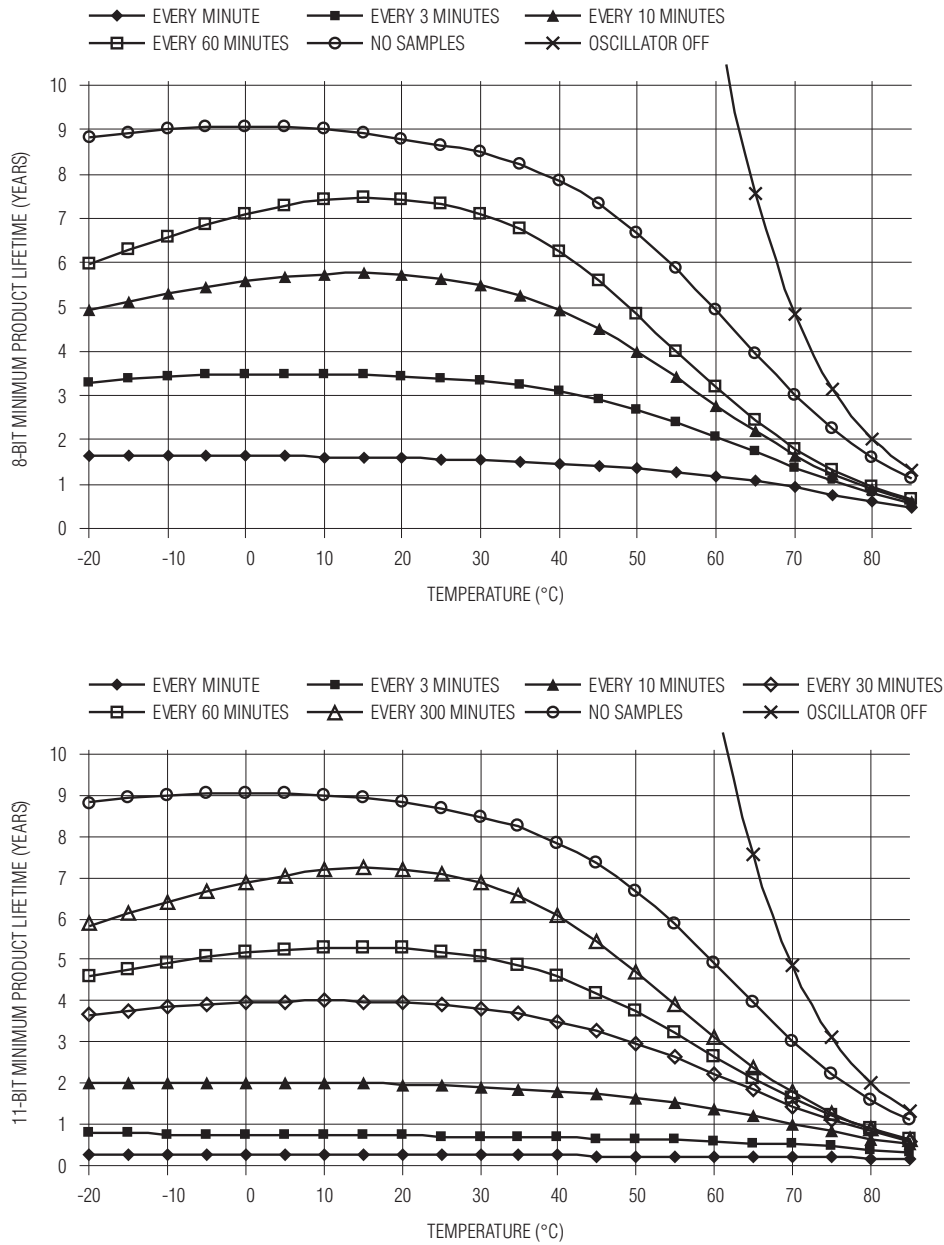
温度精度



带8KB数据记录存储器的 Hygrochron温度/湿度记录器iButton

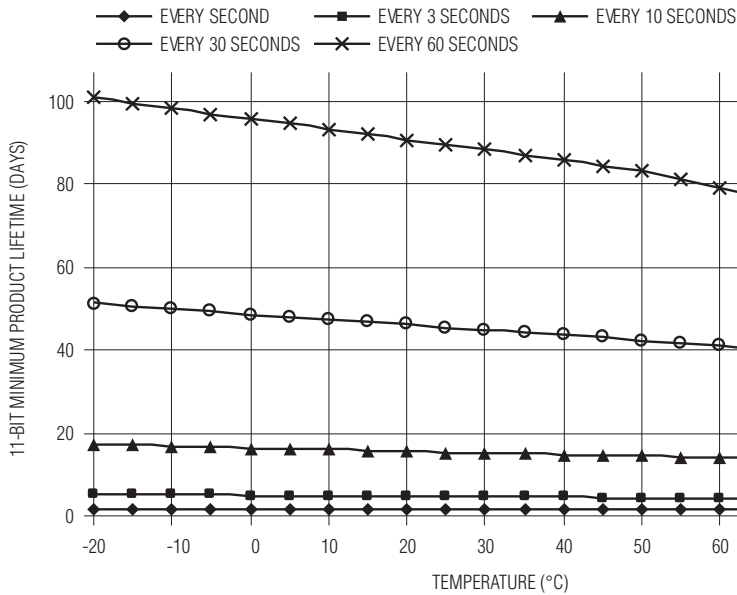
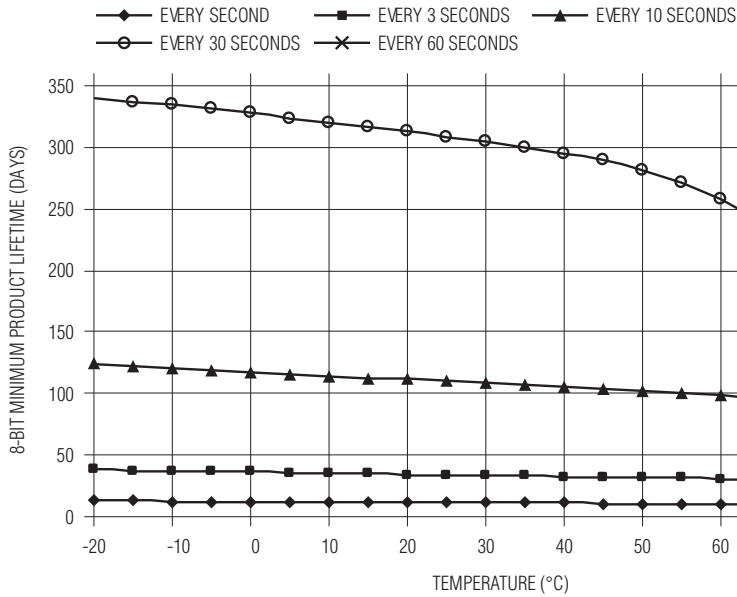
最短使用时间与温度的关系曲线，低速采样(温度)

DS1923



带8KB数据记录存储器的 Hygrochron温度/湿度记录器iButton

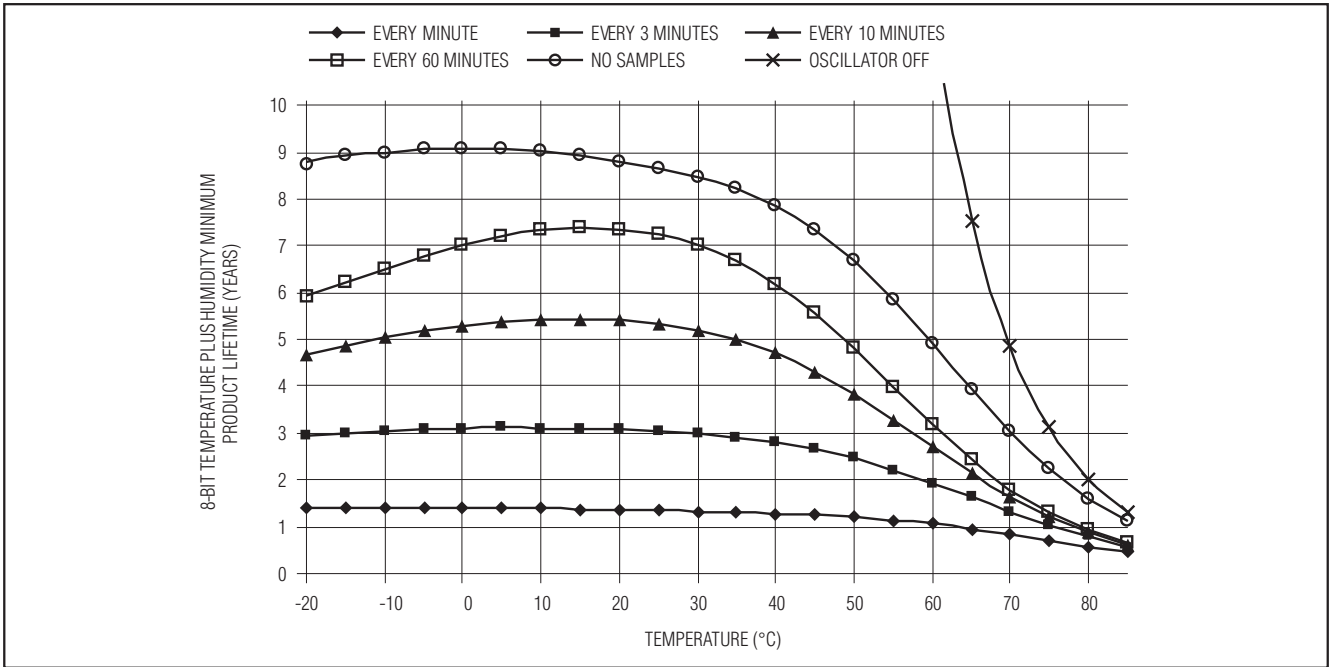
最短使用时间与温度的关系曲线，高速采样(温度)



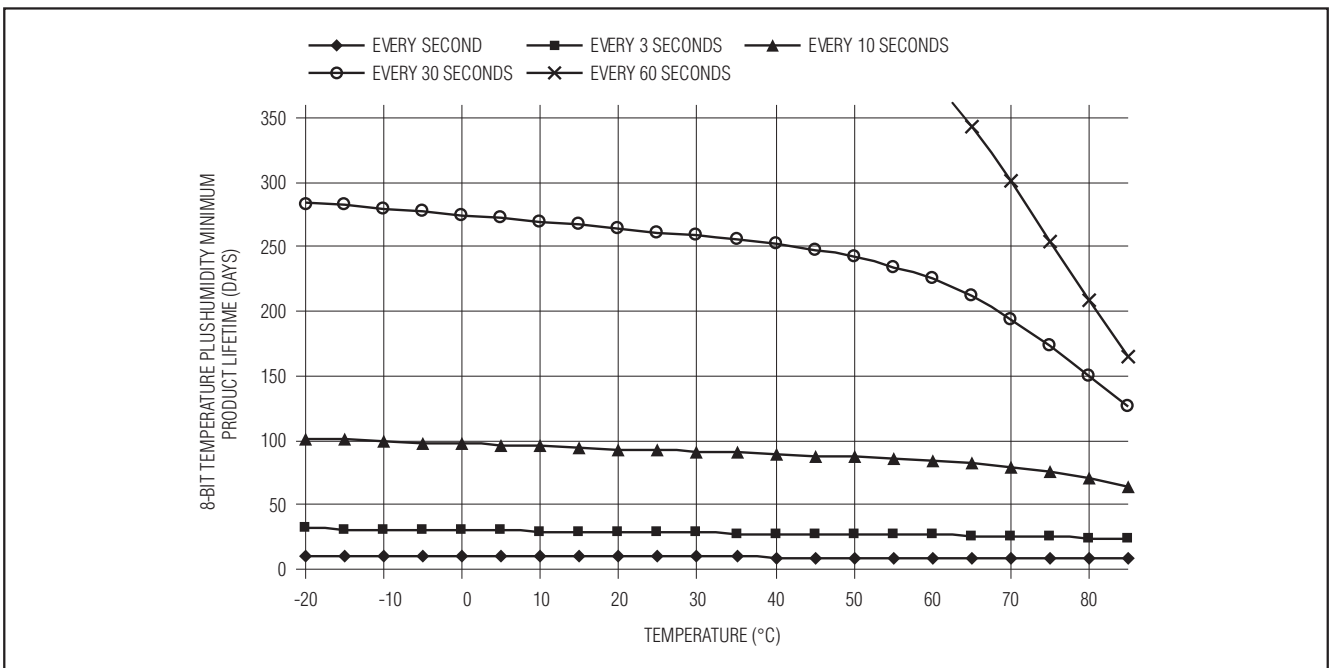
带8KB数据记录存储器的 Hygrochron温度/湿度记录器iButton

DS1923

最短使用时间与温度的关系曲线，低速采样(测量温度、湿度)

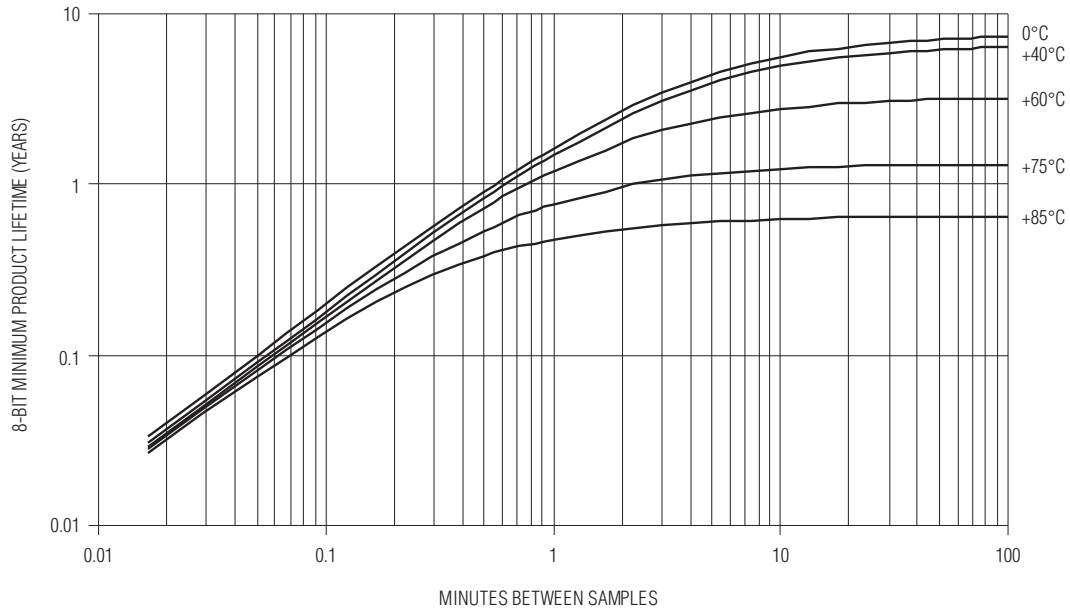


最短使用时间与温度的关系曲线，高速采样(测量温度、湿度)

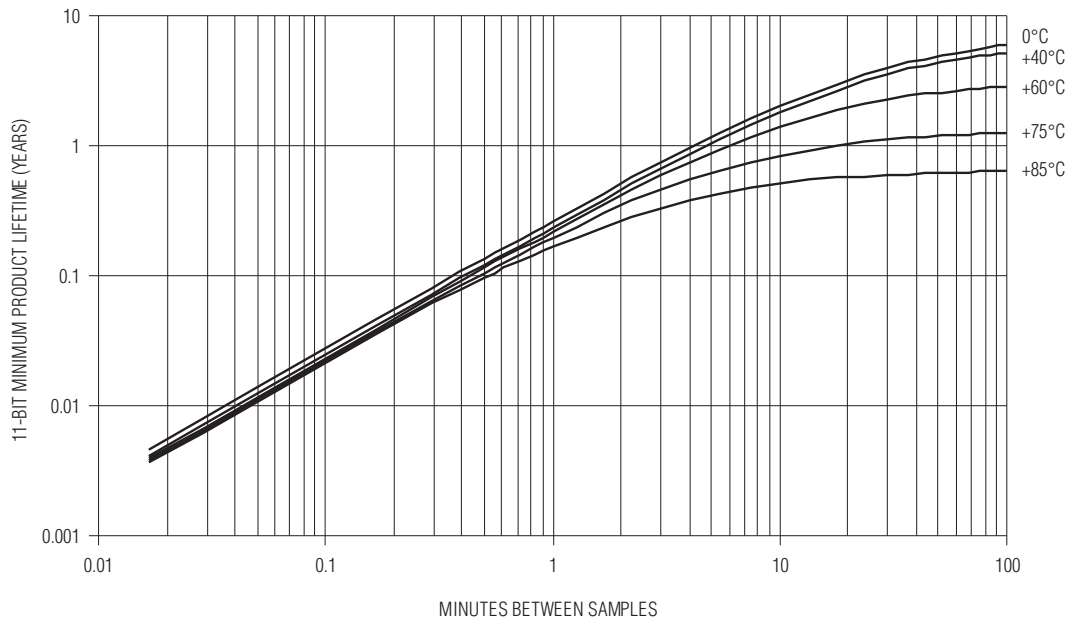


带8KB数据记录存储器的 Hygrochron温度/湿度记录器iButton

最短产品使用时间与采样速率的关系曲线(温度)



NOTE: WITH HUMIDITY LOGGING ACTIVATED, THE LIFETIME IS REDUCED BY LESS THAN 11% FOR THE SAMPLE RATES OF 3MIN. AND SLOWER, AND BY A MAXIMUM OF 20% FOR SAMPLE RATES OF 1MIN. AND FASTER.



NOTE: WITH HUMIDITY LOGGING ACTIVATED, THE LIFETIME IS REDUCED BY A MAXIMUM OF 4%. THE INCREMENTAL ENERGY CONSUMED BY HUMIDITY LOGGING IS INDEPENDENT OF THE HUMIDITY LOGGING RESOLUTION.

带8KB数据记录存储器的 Hygrochron温度/湿度记录器iButton

详细说明

DS1923可以附着在物体之上与其一起运输，因而非常适合对物体进行长时间的温度和湿度监测，可用在冰箱和冷库中监测诸如新鲜农产品、医药之类物体的温度和湿度。该器件也可应用到敏感对象及严格加工过程(如：食品加工)中，用以记录它们在运输中的气候情况。通过外壳上的一个直径为1.27mm的孔来感知空气中的湿度。DS1923内部的其余电子部分密封以隔绝外部的潮湿环境，注意DS1923的最初密封等级相当于IP56。长时间的老化和使用条件可降低密封的完整性，因此如果暴露在液体、喷雾或其它相似的环境应用，推荐将Hygrochron™安装在一个防护罩中进行保护(参考应用笔记4126: *iButton*数据记录器和*iButton*套的IP(进入防护)等级)，防护装置并不能够保证在完全侵入液体的情况下保护DS1923免受损坏。安装了相应的软件后，通过1-Wire接口就可以读取器件内部的数据，相应软件可从*iButton*网站(www.ibutton.com/cn)免费下载。另外，该软件也包括串行接口与PC机USB接口的驱动、在存储应用中访问存储特定应用数据文件的通用存储器的程序以及指定器件的数据文件。

简介

图1的方框图给出了DS1923主要控制器与存储器的关系。器件内部包括六个主要部分：64位光刻ROM；256位暂存器；512字节通用SRAM；两个256位寄存器页，用于存储计时信息、控制信息、状态信息、计数寄存器的值以及密码；64字节校准存储器；8192字节数据记录存储器。除ROM和暂存器外，其它存储器的地址统一线性编址。数据记录存储器、计数寄存器及其它寄存器都是只读的。在执行某个任务时，两个寄存器页均处于写保护状态；两个密码寄存器，一个存储的是只读密码，另一个存储的是读/写密码，它们只能写不能读。

图2所示为1-Wire协议层次结构。总线主机必须首先发出这八条命令中的一条：Read ROM、Match ROM、Search ROM、Conditional Search ROM、Skip ROM、Overdrive-Skip ROM、Overdrive-Match ROM或Resume。如果在标准速率下执行了高速ROM命令，则器件将进入高速模式，而且此后的所有通信都将以高速模式进行。这些ROM功能命令所需遵循的协议详见图11。成功地执行完一条ROM功能命令后，就可对存储器和控制功能进行访问了，而后主机便提供八条有效命令中的任一条。存储器和控制功能命令所需遵循的协议详见图9。所有数据的读写操作均是低位在前。

寄生供电

方框图(图1)中给出了寄生供电电路。当IO输入为高电平时，该电路可以从总线上“窃电”来为自身供电，只要满足规定的时间和电压要求，IO就能提供足够的能量。寄生电源有两个优点：1) 无需额外电源输入端，节省电池能量；2) 当由于某种原因电池电量耗尽时，仍可以正常读取ROM。

64位光刻ROM

每片DS1923都有一个唯一的64位ROM码，其中前8位是1-Wire家族码，接下来的48位是唯一序列号，最后8位是由前56位ROM码所计算出的循环冗余校验(CRC)码，详见图3。1-Wire的CRC是通过由移位寄存器和异或门组成的多项式发生器产生的，见图4。这个多项式为： $X^8 + X^5 + X^4 + 1$ 。有关1-Wire CRC的详细信息请参考应用笔记27: *理解和运用Maxim iButton产品中的循环冗余校验(CRC)*。

首先把移位寄存器初始化为0，然后从8位家族码的最低有效位开始，把数据依次移入CRC发生器，一次只移入一位。当移入全部的8位家族码后，再移入序列号。当移入序列号的最后一位后，移位寄存器中的值便是CRC码。如果继续移入返回的8位CRC校验码，移位寄存器将归零。

Hygrochron是Maxim Integrated Products, Inc.的商标。

带8KB数据记录存储器的 Hygrochron温度/湿度记录器iButton

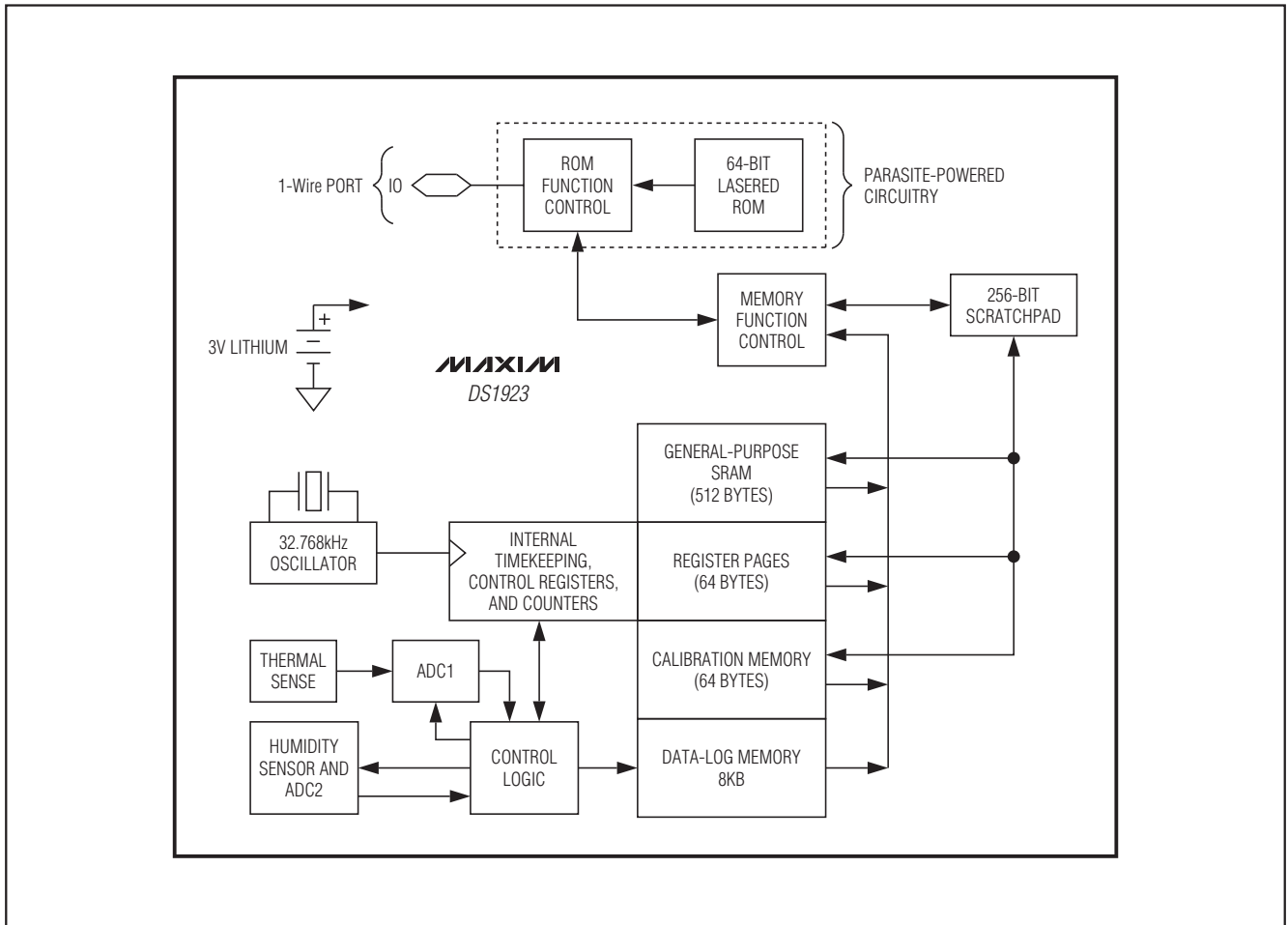


图1. 方框图

带8KB数据记录存储器的 Hygrochron温度/湿度记录器iButton

DS1923

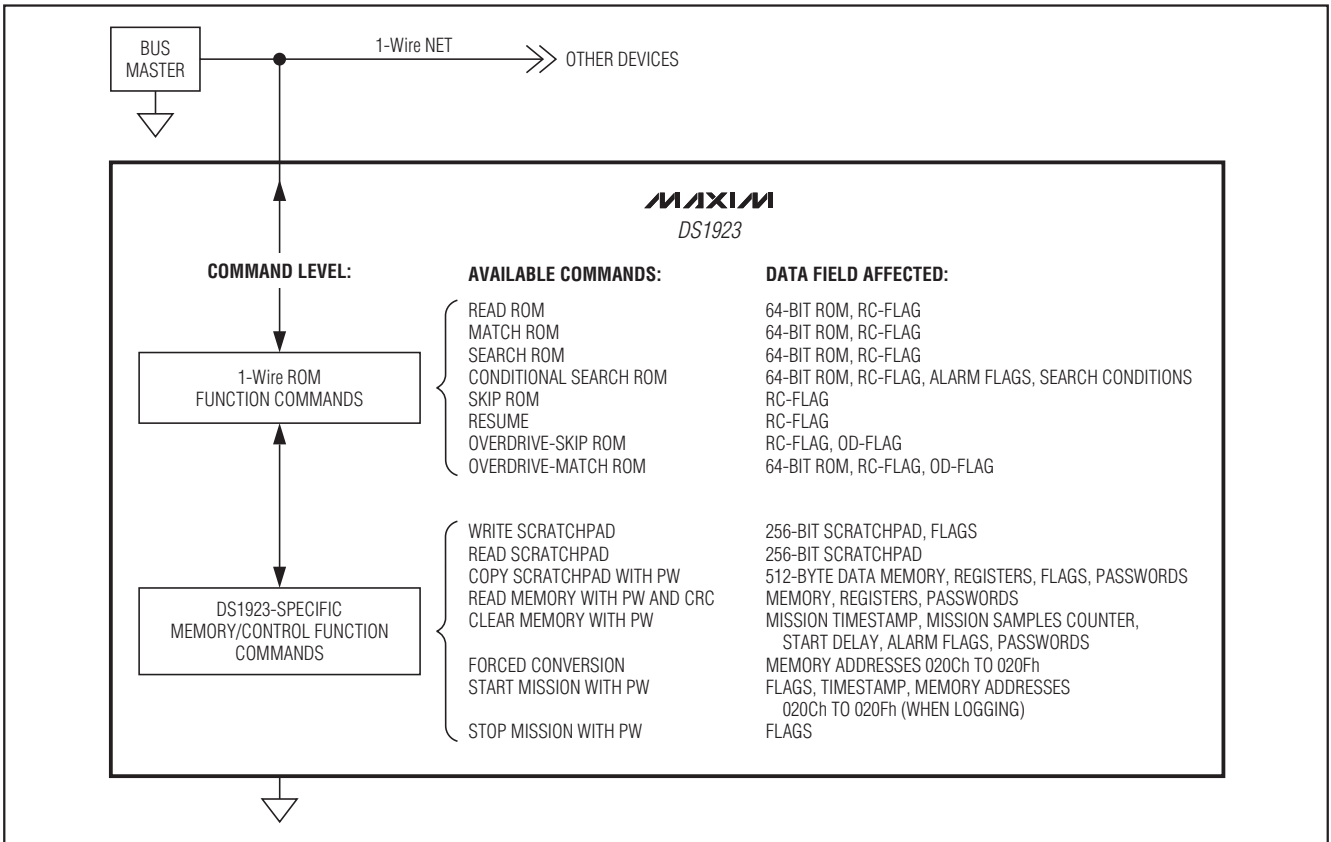


图2. 1-Wire协议的分层结构

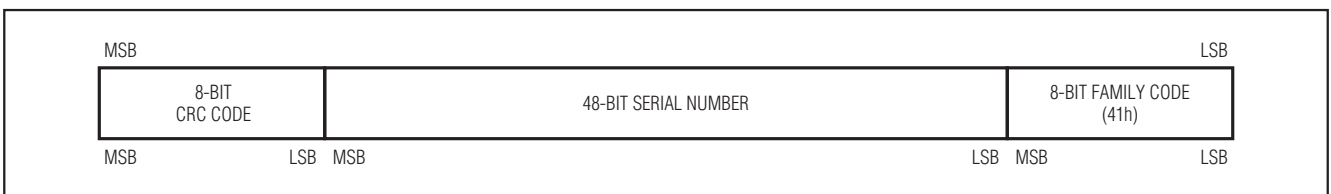


图3. 64位光刻ROM

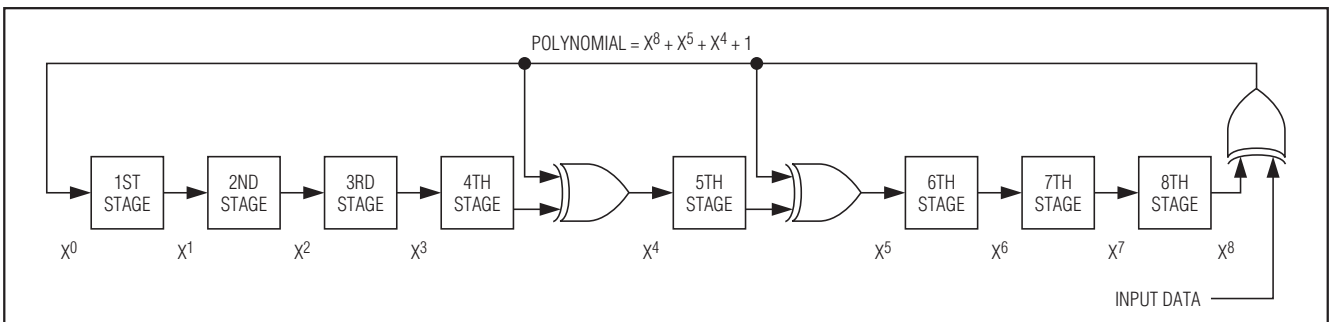


图4. 1-Wire CRC发生器

带8KB数据记录存储器的 Hygrochron温度/湿度记录器iButton

存储器

图5是DS1923存储器映射表。512字节通用SRAM位于第0至第15存储器页；用于设定和控制器件的各种寄存器占用了第16页和第17页，这两页分别称为寄存器页1和寄存器页2（参见图6）；第18和第19页可用作校准数据的存储空间；记录存储器中的‘数据记录’从地址1000h（第128页）开始，一直延伸256页；第20至第127存储器页留作将来扩展。暂存器占用的是附加页面，当向SRAM存储器或寄存器页写入数据时作为缓冲器使用。校准存储器中存放着器件校准所需的数据，以便进一步提高湿度/温度读数的精度，详细内容请参考软件校准算法部分，校准存

储器页的最后一个字节是前31字节的8位CRC码。存储器的第19页是第18页的一个复本，虽然用户可以重写校准存储器，但通常不建议这么做。如何保护该存储器的方法参见安全加密部分。这些寄存器页的访问类型跟具体的寄存器有关，同时还取决于在具体任务中对这些器件的设置，详见图6。数据记录存储器是只读的，其写操作是在片内控制逻辑的独立监控下完成的。鉴于写访问逻辑的特殊性（写暂存器、复制暂存器），建议一次就将全部页面写满。这一规则同样适用于寄存器页，详细内容请参考地址寄存器和传输状态部分。

ADDRESS		
	32-BYTE INTERMEDIATE STORAGE SCRATCHPAD	
0000h TO 001Fh	32-BYTE GENERAL-PURPOSE SRAM (R/W)	PAGE 0
0020h TO 01FFh	GENERAL-PURPOSE SRAM (R/W)	PAGES 1 TO 15
0200h TO 021Fh	32-BYTE REGISTER PAGE 1	PAGE 16
0220h TO 023Fh	32-BYTE REGISTER PAGE 2	PAGE 17
0240h TO 025Fh	CALIBRATION MEMORY PAGE 1 (R/W)	PAGE 18
0260h TO 027Fh	CALIBRATION MEMORY PAGE 2 (R/W)	PAGE 19
0280h TO 0FFFh	(RESERVED FOR FUTURE EXTENSIONS)	PAGES 20 TO 127
1000h TO 2FFFh	DATA-LOG MEMORY (READ ONLY)	PAGES 128 TO 383

图5. 存储器映射

带8KB数据记录存储器的 Hygrochron温度/湿度记录器iButton

DS1923

ADDRESS	BIT 7	BIT 6	BIT 5	BIT 4	BIT 3	BIT 2	BIT 1	BIT 0	FUNCTION	ACCESS*	
0200h	0	10 Seconds			Single Seconds				Real-Time Clock Registers	R/W	R
0201h	0	10 Minutes			Single Minutes						
0202h	0	12/24	20 Hour AM/PM	10 Hour	Single Hours						
0203h	0	0	10 Date		Single Date						
0204h	CENT	0	0	10 Months	Single Months						
0205h	10 Years			Single Years							
0206h	Low Byte								Sample Rate	R/W	R
0207h	0	0	High Byte								
0208h	Low Threshold								Temperature Alarms	R/W	R
0209h	High Threshold										
020Ah	Low Threshold								Humidity Alarms	R/W	R
020Bh	High Threshold										
020Ch	Low Byte			0	0	0	0	0	Latest Temperature	R	R
020Dh	High Byte										
020Eh	Low Byte								Latest Humidity	R	R
020Fh	High Byte										
0210h	0	0	0	0	0	0	ETHA	ETLA	Temperature Alarm Enable	R/W	R
0211h	1	1	1	1	1	1	EHHA	EHLA	Humidity Alarm Enable	R/W	R
0212h	0	0	0	0	0	0	EHSS	EOSC	RTC Control	R/W	R
0213h	1	1	SUTA	RO	HLFS	TLFS	EHL	ETL	Mission Control	R/W	R
0214h	BOR	1	1	1	HHF	HLF	THF	TLF	Alarm Status	R	R
0215h	1	1	0	WFTA	MEMCLR	0	MIP	0	General Status	R	R
0216h	Low Byte								Start Delay Counter	R/W	R
0217h	Center Byte										
0218h	High Byte										

*访问类型(ACCESS)一项中左侧一列指的是在任务之间有效的访问类型，右侧一列指的是在任务进程中可用的访问类型。

图6. 寄存器页映射

带8KB数据记录存储器的 Hygrochron温度/湿度记录器iButton

ADDRESS	BIT 7	BIT 6	BIT 5	BIT 4	BIT 3	BIT 2	BIT 1	BIT 0	FUNCTION	ACCESS*	
0219h	0	10 Seconds			Single Seconds			Mission Timestamp	R	R	
021Ah	0	10 Minutes			Single Minutes						
021Bh	0	12/24	20 Hour AM/PM	10 Hour	Single Hours						
021Ch	0	0	10 Date		Single Date						
021Dh	CENT	0	0	10 Months	Single Months						
021Eh	10 Years			Single Years							
021Fh	(No Function; Reads 00h)								—	R	R
0220h	Low Byte								Mission Samples Counter	R	R
0221h	Center Byte										
0222h	High Byte										
0223h	Low Byte								Device Samples Counter	R	R
0224h	Center Byte										
0225h	High Byte										
0226h	Configuration Code								Flavor	R	R
0227h	EPW								PW Control	R/W	R
0228h	First Byte								Read Access Password	W	—
...	...										
022Fh	Eighth Byte										
0230h	First Byte								Full Access Password	W	—
...	...										
0237h	Eighth Byte										
0238h	(No function; all these bytes read 00h)								—	R	R
...											
023Fh											

*访问类型(ACCESS)一项中左侧一列指的是在任务之间有效的访问类型，右侧一列指的是在任务进程中可用的访问类型。

图6. 寄存器页映射(续)

带8KB数据记录存储器的 Hygrochron温度/湿度记录器iButton

DS1923

寄存器详细说明

采样速率

计时和日历

通过读/写地址0200h至0205h寄存器页的对应字节可访问实时时钟和日历信息。为了保证有效的读操作，必须从0200h地址开始按顺序来读取所有实时时钟寄存器。某些实时时钟位被置为0，无论写入什么信息，这些位的值始终为0。RTC寄存器中数据的编码形式为二进制编码的十进制(BCD)格式。

DS1923的实时时钟有两种显示模式：12小时或24小时，可通过小时寄存器(地址为：0202h)的第6位来设置，当该位为高电平时，表示选择了12小时模式。在12小时模式下，其第5位指出了是AM还是PM，若AM/PM位为1，表示PM。在24小时模式下，第5位是20小时位(20点至23点)。月寄存器的第7位(CENT位)可写，当年计数器由99变为00时，该位的状态会发生相应的改变。

日历逻辑是为闰年的自动补偿而专门设计的。每当年数的后两位是00或是4的整数倍时，器件会自动把当年的二月份改成29天，这种校准工作会一直持续到(但不包括)2100年。

采样速率寄存器(地址为：0206h和0207h)中定义了两个湿度/温度记录事件之间的时间间隔(EHSS = 1时，以秒计数；EHSS = 0时，以分钟计数)。采样速率是一个无符号型的14位二进制码，取值范围为1至16,383。如果EHSS = 1，表示两个记录事件之间的最短时间间隔为1秒，最长为4.55小时(采样速率为3FFFh)。如果EHSS = 0，则最短时间间隔为1分钟，最长为273.05小时(采样速率为3FFFh)。这个EHSS位位于RTC控制器寄存器(地址为0212h)中。因此，对用户来说，通过设置EHSS位即可对采样速率进行设置，这一点尤为重要。采样速率设置为0000h时采样速率 = 0001h，根据EHSS位状态，DS1923在每分钟或者每秒钟记录一次温度。

RTC寄存器

ADDRESS	BIT 7	BIT 6	BIT 5	BIT 4	BIT 3	BIT 2	BIT 1	BIT 0
0200h	0	10 Seconds			Single Seconds			
0201h	0	10 Minutes			Single Minutes			
0202h	0	12/24	20 Hour AM/PM	10 Hour	Single Hours			
0203h	0	0	10 Date		Single Date			
0204h	CENT	0	0	10 Months	Single Months			
0205h	10 Years				Single Years			

注：在任务执行期间，只能读取这些寄存器中的数据。标为“0”的位其读数始终为0，不能写1。

采样速率寄存器

ADDRESS	BIT 7	BIT 6	BIT 5	BIT 4	BIT 3	BIT 2	BIT 1	BIT 0
0206h	Sample Rate Low							
0207h	0	0	Sample Rate High					

注：在任务执行期间，只能读取这些寄存器中的数据。标为“0”的位其读数始终为0，不能写1。

带8KB数据记录存储器的 Hygrochron温度/湿度记录器iButton

温度转换

DS1923能测量的温度范围为：-20°C至+85°C。温度的读数可以表示为8位或16位的无符号二进制，8位模式时的分辨率为0.5°C，16位时为0.0625°C。

温度转换结果的高字节TRH始终是有效的。采用16位计数模式时，低字节TRL的3个最高位有效，其余5个低位全部为零。如果器件采用8位温度值计数模式，则TRL无定义。如果温度转换后得到的数值超出了范围，这个值将被记录为00h或0000h（温度过低），或FFh或FFE0h（温度过高）。

在TRH和TRL表示为等价的十进制温度读数时，则温度值由下式计算：

$$\vartheta(^{\circ}\text{C}) = \text{TRH}/2 - 41 + \text{TRL}/512 \quad (\text{16位模式, TLFS} = 1, \text{见地址}0213\text{h})$$

$$\vartheta(^{\circ}\text{C}) = \text{TRH}/2 - 41 \quad (\text{8位模式, TLFS} = 0, \text{见地址}0213\text{h})$$

该公式在转换存储在数据记录存储器中的温度以及存储在当前温度转换结果寄存器中的数据时有效。

为确定温度报警门限，需要将上面的公式变换成：

$$\text{TALM} = 2 \times \vartheta(^{\circ}\text{C}) + 82$$

由于温度报警阈值是用一个字节来表示的，因此它的分辨率和温度增量只能是0.5°C。当要把TALM值写到一个温度报警阈值寄存器(低温报警阈值存放地址为0208h；高温报警阈值存放地址为0209h)中时，应先把它转换成16进制数的格式。无论采用何种转换方式(8位或16位)，只有根据温度转换结果最高有效字节的值才能确定是否产生报警。

湿度转换

除了温度之外，DS1923还能够以8位或16位格式记录湿度。湿度读数表示为8位或16位无符号的二进制数，它在8位模式时的分辨率为0.64%RH，16位时的分辨率为0.04%RH。

如果把DS1923设定在记录湿度数据的状态，那么只要执行Forced Conversion命令或者在执行任务期间，DS1923都会从湿度传感器中读取数据(参见存储器和控制功能命令部分)。无论是否设定，DS1923总是以16位格式从湿度传感器中读取数据。湿度读数的最新记录存放在地址020Eh(低字节)和020Fh(高字节)中，从湿度传感器读取的最高有效位始终为地址020Fh中的H11。由于湿度传感器是以12位格式输出数据的，因此在16位模式下最后4位未定义。

当前温度转换结果寄存器

ADDRESS	BIT 7	BIT 6	BIT 5	BIT 4	BIT 3	BIT 2	BIT 1	BIT 0	BYTE
020Ch	T2	T1	T0	0	0	0	0	0	TRL
020Dh	T10	T9	T8	T7	T6	T5	T4	T3	TRH

表1. 温度转换举例

MODE	TRH		TRL		$\vartheta(^{\circ}\text{C})$
	HEX	DECIMAL	HEX	DECIMAL	
8-Bit	54h	84	—	—	1.0
8-Bit	17h	23	—	—	-29.5
16-Bit	54h	84	00h	0	1.000
16-Bit	17h	23	60h	96	-29.3125

表2. 温度报警门限举例

$\vartheta(^{\circ}\text{C})$	TALM	
	HEX	DECIMAL
25.5	85h	133
-10.0	3Eh	62

带8KB数据记录存储器的 Hygrochron温度/湿度记录器iButton

DS1923

当前湿度转换结果寄存器

ADDRESS	BIT 7	BIT 6	BIT 5	BIT 4	BIT 3	BIT 2	BIT 1	BIT 0	BYTE
020Eh	H3	H2	H1	H0	X	X	X	X	HRL
020Fh	H11	H10	H9	H8	H7	H6	H5	H4	HRH

在任务进程中，如果激活了湿度记录器，始终用HRH字节(H11至H4)来记录数据。只有DS1923处于16位湿度记录模式，才使用HRL字节来记录数据。其记录模式(8位或16位)可以通过任务控制寄存器(地址为0213h)中的HLFS位设定。

在HRH和HRL表示为等效的十进制湿度读数时，湿度值由下列表中的公式计算。

16-BIT MODE, HLFS = 1	8-BIT MODE, HLFS = 0
$IVAL = (HRH \times 256 + HRL)/16$ Round IVAL down to the nearest integer; this eliminates the undefined 4 bits of HRL.	(N/A)
$ADVAL = IVAL \times 5.02/4096$	$ADVAL = HRH \times 5.02/256$
$HUMIDITY(\%RH) = (ADVAL - 0.958)/0.0307$	

从上述表格得出的数据结果只是原始数据，需要经过校准才能获得更为精确的测量值。详细资料可参见湿度的软件校准算法部分。

为确定湿度报警门限，需要将上面的公式变换成：

$$ADVAL = HUMIDITY(\%RH) \times 0.0307 + 0.958$$

$$HALM = ADVAL \times 256/5.02$$

将HALM值四舍五入至最接近的整数值。

在将HALM值写入湿度报警阈值寄存器(湿度下限报警阈值存放地址为020Ah；湿度上限报警阈值存放地址为020Bh)

之前，应先将其变为十六进制数的形式。无论采用何种转换方式(8位或16位)，只有根据湿度转换结果的最高有效字节才能确定是否产生报警。由于报警阈值是针对原始湿度读数的，因此，如果使用软件校准功能，那么在计算湿度报警阈值之前，要把软件校准后的数据转换成原始数据。如：要把报警阈值设为60%RH，60%RH门限可能对应的原始读数为65%RH(例如校准前)。要把报警阈值设为60%RH(校准后)，HALM计算时必须按65%RH计算。

以上例子均没有考虑软件校准的影响。

表3. 湿度转换举例

MODE	HRH		HRL		HUMIDITY (%RH)
	HEX	DECIMAL	HEX	DECIMAL	
8-bit	B5h	181	—	—	84.41
8-bit	67h	103	—	—	34.59
16-bit	B5h	181	C0h	12	84.89
16-bit	67h	103	30h	48	34.70

表4. 湿度报警门限举例

HUMIDITY (%RH)	HALM	
	HEX	DECIMAL
65	97h	151
25	58h	88

带8KB数据记录存储器的 Hygrochron温度/湿度记录器iButton

温度传感器控制寄存器

ADDRESS	BIT 7	BIT 6	BIT 5	BIT 4	BIT 3	BIT 2	BIT 1	BIT 0
0210h	0	0	0	0	0	0	ETHA	ETLA

注：在任务进程中，只能对该寄存器进行读操作。其中第2位至第7位不表示任何功能，其读数始终为0且不能被写为1。

湿度传感器控制寄存器

ADDRESS	BIT 7	BIT 6	BIT 5	BIT 4	BIT 3	BIT 2	BIT 1	BIT 0
0211h	1	1	1	1	1	1	EHHA	EHLA

注：在任务进程中，只能对该寄存器进行读操作。其中第2位至第7位不表示任何功能，其读数始终为1且不能被写为0。

RTC控制寄存器

ADDRESS	BIT 7	BIT 6	BIT 5	BIT 4	BIT 3	BIT 2	BIT 1	BIT 0
0212h	0	0	0	0	0	0	EHSS	EOSC

注：在任务进程中，只能对该寄存器进行读操作。其中第2位至第7位不表示任何功能，其读数始终为0且不能被写为1。

温度传感器报警

DS1923有两个用来储存温度报警阈值的寄存器(地址0208h、0209h)，该阈值可用于界定检测温度是否已达临界值。当测量温度达到设定的报警温度且报警信号处于可用状态时，DS1923就执行温度报警。温度报警使能位ETLA和ETHA位于温度传感器控制寄存器中，温度报警标志位TLF和THF位于报警状态寄存器(地址0214h)中。

第1位：温度上限报警使能位(ETHA)。在一项任务期间，该位用来控制当温度转换结果等于或高于高温报警阈值寄存器内的值时，高温报警标记(THF)是否被置位。ETHA为1时，表明高温报警功能可用；ETHA为0时，不产生温度上限报警信号。

第0位：温度下限报警使能位(ETLA)。在一项任务期间，该位用来控制当温度转换结果等于或低于低温报警阈值寄存器内的值时，低温报警标记(TLF)是否被置位。ETLA为1时，表明低温报警功能可用；ETLA为0时，不产生温度下限报警信号。

湿度报警

DS1923有两个用来储存湿度报警阈值的寄存器(地址020Ah、020Bh)，该阈值可用于界定测量的湿度值是否达到报警值，是否可以启动报警信号。如果测量湿度达到设定的报警值并且报警信号处于使能状态，则器件发出湿度报警信号。湿度报警使能位EHLA和EHHA位于湿度传感器控制寄存器中。相应的湿度报警标志位HLF和HHF位于报警状态寄存器(地址0214h)中。

第1位：湿度上限报警使能位(EHHA)。在一项任务期间，当湿度转换结果等于或高于湿度上限报警阈值寄存器内的值，该位用来控制湿度上限报警标记(HHF)是否被置位。EHHA为1时，湿度上限报警功能可用；EHHA为0时，不产生湿度上限报警信号。

第0位：湿度下限报警使能位(EHLA)。在一项任务期间，该位用来控制当湿度转换结果等于或低于湿度下限报警阈值寄存器内的值时，湿度下限报警标记(HLF)是否被置位。EHLA为1时，湿度下限报警功能可用；EHLA为0时，不产生湿度下限报警信号。

RTC控制

为了使DS1923的功耗降至最低，在器件未使用时，应将器件内部的实时时钟振荡器关闭。该振荡器的开/关控制位位于RTC控制寄存器内。RTC寄存器中还有EHSS位，该位用来将采样速率的单位设置为秒或分钟。

第1位：高速采样使能位(EHSS)。该位用于设置采样速率计数器的速度。当被置为逻辑0时，采样速率的单位是分钟。当被置为逻辑1时，采样速率的单位是秒。

带8KB数据记录存储器的 Hygrochron温度/湿度记录器iButton

第0位：振荡器使能位(EOSC)。该位用来控制实时时钟晶体振荡器的开/关。当被置为逻辑1时，振荡器启动。当被置为逻辑0时，振荡器关闭，器件处于低功耗数据保持模式。通常情况下该位必须被置为1。Forced Conversion或者Start Mission命令可将EOSC位设置为1自动启动RTC。

任务控制

通过向特定功能寄存器中写入适当的数据，可以设置DS1923的工作状态，这些功能寄存器位于两个寄存页中。任务控制寄存器可用于进行以下设置：是否记录温度和/或湿度数据、使用的是哪一种数据格式(8位或16位)、以及数据记录存储器存满时是否用新数据覆盖旧数据。可将附加控制位置为1使DS1923发出温度报警信号之前处于等待记录数据的状态。

第5位：温度报警后启动任务(SUTA)。该位用于设置是直接开始执行一项任务(包括延迟一段时间后启动任务)，还是需要温度报警信号来启动任务。如果该位为1，则器件会以指定的采样速率执行8位温度转换，并且只有当温度达报警值(上限值或下限值)时才开始记录数据，并在发出报警信号的那一时刻开始记录第一个温度值，不过此时任务采样计数器并不加1。只有当温度记录功能被激活(ETL = 1)时，才可使用温度报警后启动任务功能。

第4位：反转控制位(RO)。在一次任务期间，该位用于控制当数据记录存储器存满时，是用新数据覆盖掉数据记录存储器中的旧数据，还是停止记录数据。将该位置1可启动反转功能，使数据记录从开始起继续进行并覆盖以

前所记录的数据。如果该位置为0，则一旦数据记录存储器存满，将停止数据记录和转换。不过此时RTC将继续工作，同时MIP位将保持为1，直到器件执行Stop Mission命令时为止。

第3位：湿度记录格式选择位(HLFS)。该位用来设置数据记录存储器中湿度读数的格式。HLFS为0时，存储的是8位数据。HLFS为1时，存储的是16位数据(高分辨率)。采用16位格式时数据的最高有效字节存储在低位地址单元。

第2位：温度记录格式选择位(TLFS)。该位用来设置数据记录存储器中温度读数的格式。TLFS为0时，存储的是8位数据。TLFS为1时，存储的是16位数据(高分辨率)。采用16位格式时数据的最高有效字节存储在低位地址单元。

第1位：湿度记录使能位(EHL)。为使器件工作于湿度记录状态，该位必须被置为逻辑1。如果温度及湿度记录功能均被激活，则记录的湿度值始终从地址2000h (TLFS = HLFS)或1A00h (TLFS = 0; HLFS = 1)或2400h (TLFS = 1; HLFS = 0)开始储存。若只激活了湿度记录功能，所记录的数值从地址1000h开始储存。由于在不知道温度时的湿度数据是毫无科学价值的，因此通常情况下应使湿度和温度记录功能均处于激活状态(即：ETL和EHL均置为1)。

第0位：温度记录使能位(ETL)。为使器件工作于温度记录状态，该位必须被置为逻辑1。为顺利执行温度记录任务，ETL或EHL必须置为1。如果温度记录功能被激活，所记录的温度值始终从地址1000h开始储存。

任务控制寄存器

ADDRESS	BIT 7	BIT 6	BIT 5	BIT 4	BIT 3	BIT 2	BIT 1	BIT 0
0213h	1	1	SUTA	RO	HLFS	TLFS	EHL	ETL

注：在任务进程中，只能对该寄存器进行读操作。其中第6位和第7位不表示任何功能，其读数始终为1且不能被写为0。

带8KB数据记录存储器的 Hygrochron温度/湿度记录器iButton

报警状态寄存器

ADDRESS	BIT 7	BIT 6	BIT 5	BIT 4	BIT 3	BIT 2	BIT 1	BIT 0
0214h	BOR	1	1	1	HHF	HLF	THF	TLF

注：对该寄存器只能进行读操作。其中第4位至第6位的功能没有定义，它们的值始终为1。当调用Clear Memory命令时，该寄存器的5个报警状态位被同时清零。详细说明请参见存储器和控制功能命令部分。

通用状态寄存器

ADDRESS	BIT 7	BIT 6	BIT 5	BIT 4	BIT 3	BIT 2	BIT 1	BIT 0
0215h	1	1	0	WFTA	MEMCLR	0	MIP	0

注：只能对该寄存器进行读操作。其中第0位、第2位、第5位、第6位和第7位没有任何功能。

报警状态

在任务进程中，确定所测量的温度或湿度是否超过其阈值的最快速的方法是读报警状态寄存器值。在包含多个DS1923 iButton的网络环境中，可通过执行Conditional Search ROM命令(参见I-Wire ROM功能命令部分)迅速识别发出报警信号的DS1923。温度、湿度报警功能只有在被激活时才能起作用(请参考温度传感器报警和湿度报警部分)。BOR报警功能始终处于激活状态。

第7位：电池上电复位报警位(BOR)。如果该位为1，那么器件已经执行了一次上电复位。这表明器件已经承受了一次大得足以中断内部电池电源的冲击。这时器件似乎仍可使用，但它的工厂校准数据已经丢失。此时数据记录存储器中的所有数据都将变为无效。

第3位：湿度上限报警标志(HHF)。如果该位为1，表明在一次任务期间至少有一个湿度读数值等于或高于湿度上限报警寄存器内的值。强行转换会影响HHF位的状态。

第2位：湿度下限报警标志(HLF)。如果该位为1，表明在一次任务期间至少有一个湿度读数值等于或低于湿度下限报警寄存器内的值。强行转换会影响HLF位的状态。

第1位：温度上限报警标志(THF)。如果该位为1，表明在一次任务进程中至少进行了一次温度转换，并且转换结果等于或高于温度上限报警寄存器内的值。强行转换会影响THF位的状态。在SUTA = 1模式下该位也可由第一次报警置位。

第0位：温度下限报警标志(TLF)。如果该位为1，表明在一次任务进程中至少进行了一次温度转换，并且转换结果等于或低于温度下限报警寄存器的值。强制转换会对TLF位状态产生影响。在SUTA = 1模式下该位也可由第一次报警置位。

通用状态

通用状态寄存器中的信息用来告知主机与任务相关的命令是否被成功执行。该寄存器的各状态位分别用来表明DS1923是否正在执行一项任务、是否正在等待温度报警以触发数据记录任务，以及是否已清除了在最近一次任务中接收的数据。

第4位：等待温度报警(WFTA)。如果该位读值为1，表明选择了温度报警后启动任务功能，并且已经成功执行了Start Mission命令，不过此时器件还没有发出温度报警信号。当发出温度报警信号后该位即被清零，这一过程与是否执行Clear Memory命令无关。一旦该位被设置为1，如果在温度报警发生之前停止任务，WFTA位也将保持为1。为在开始一项新任务之前手动清零WFTA位，可将温度报警上限(地址0209h)设为-40°C并执行一次强制转换命令。

第3位：存储器清零(MEMCLR)。如果该位为1，表明任务时标、任务采样计数器及报警状态寄存器的所有报警标志位均被清零，为执行新的任务做好准备。执行Clear Memory命令可清空以上存储器。一旦通过执行Start Mission命令启动了一项新任务，MEMCLR位立即变为0。在开始一项新任务前必须将存储器清空。

第1位：任务执行中(MIP)。如果该位为1，表明器件已被设置了一项任务且该任务正在执行当中。该任务结束时，MIP位从逻辑1变为逻辑0，请参考Start Mission [with Password] [CCh]和Stop Mission [with Password] [33h]部分。

带8KB数据记录存储器的 Hygrochron温度/湿度记录器iButton

任务启动延时计数器寄存器

ADDRESS	BIT 7	BIT 6	BIT 5	BIT 4	BIT 3	BIT 2	BIT 1	BIT 0
0216h	Delay Low Byte							
0217h	Delay Center Byte							
0218h	Delay High Byte							

注：在任务期间，只能对该寄存器进行读操作。

任务时标寄存器

ADDRESS	BIT 7	BIT 6	BIT 5	BIT 4	BIT 3	BIT 2	BIT 1	BIT 0
0219h	0	10 Seconds			Single Seconds			
021Ah	0	10 Minutes			Single Minutes			
021Bh	0	12/24	20 Hours AM/PM	10 Hours	Single Hours			
021Ch	0	0	10 Date		Single Date			
021Dh	CENT	0	0	10 Months	Single Months			
021Eh	10 Years			Single Years				

注：只能对该寄存器进行读操作。

任务采样计数器寄存器

ADDRESS	BIT 7	BIT 6	BIT 5	BIT 4	BIT 3	BIT 2	BIT 1	BIT 0
0220h	Low Byte							
0221h	Center Byte							
0222h	High Byte							

注：只能对该寄存器进行读操作。注意：当内部的温度和湿度记录功能均被激活时，任务采样计数器和器件采样计数器都将它们作为一个事件记数。

任务启动延时

任务启动延迟计数器寄存器的值用来表示从启动任务到进行第一次测量之前(SUTA = 0)，或从启动任务到器件接收到温度报警信号从而开始测量温度之前(SUTA = 1)所经历的延迟时间的长短。任务启动延迟时间值是一个无符号型24位整数。最大延迟时间可设为16,777,215分钟，相当于11,650天或大约31年。如果启动延迟时间是一个非零值且SUTA位为1，则当器件在温度报警信号的作用下开始测量温度并记录数据前首先要经过一段时间的延迟。

在典型操作中，启动延迟时间是0。但如果在设定的采样速率下，使用单片DS1923存储所有的温度读数任务持续时间过长时，可采用多个器件共同完成测量任务，并合理设置第二个器件的任务启动延迟时间，使之在第一个器件的存储器刚一存满时立即开始记录数据，以此类推。为了防止数据记录存储器在温度记录写满之后被重复写入，必须将任务控制寄存器(地址为0213h)中的RO位设置为0。

任务时标

任务时标记录了任务中第一个温度/湿度采样值的记录日期和时间。对任务时标寄存器只能进行读操作。

任务进程指示

根据任务控制寄存器(地址0213h)的设置情况，DS1923可以8位或16位的格式记录温度和/或湿度数据。关于ETL和EHL位的说明描述了数据在数据记录存储器中的存放位置。可通过任务采样计数器的值、数据存放的起始地址和数据记录格式(8位或16位)来判断数据块是否有效，该数据块来自当前正在执行的任务(MIP = 1)或刚刚执行完的最后一次任务(MIP = 0)，详细说明请参考数据记录存储器的用法部分。注意：在SUTA = 1时，记录第一个采样值时任务采样计数器不增加。

任务采样计数器的值表明在一次温度和/或湿度测量任务期间，DS1923每隔多长时间被唤醒一次。该计数器的值是无符号型的24位整数。通过Clear Memory命令可复位任务采样计数器。

带8KB数据记录存储器的 Hygrochron温度/湿度记录器iButton

器件采样计数器寄存器

ADDRESS	BIT 7	BIT 6	BIT 5	BIT 4	BIT 3	BIT 2	BIT 1	BIT 0
0223h	Low Byte							
0224h	Center Byte							
0225h	High Byte							

注：对该寄存器只能进行读操作。

器件配置寄存器

ADDRESS	BIT 7	BIT 6	BIT 5	BIT 4	BIT 3	BIT 2	BIT 1	BIT 0	PART
0226h	0	0	0	0	0	0	0	0	DS2422
	0	0	1	0	0	0	0	0	DS1923
	0	1	0	0	0	0	0	0	DS1922L
	0	1	1	0	0	0	0	0	DS1922T
	1	0	0	0	0	0	0	0	DS1922E

注：对该寄存器只能进行读操作。

密码控制寄存器

ADDRESS	BIT 7	BIT 6	BIT 5	BIT 4	BIT 3	BIT 2	BIT 1	BIT 0
0227h	EPW							

注：在一次任务期间，只能对该寄存器进行读操作。

其它指示

器件采样计数器与任务采样计数器类似。在任务进程中，无论何时，只要DS1923开始测量并记录数据，或当器件处于温度报警启动任务模式时接收到报警信号而开始进行测量，器件采样计数器的值都自动加1。在两次任务之间，只要执行Forced Conversion命令，该计数器的值也会自动加1。由此可见，器件采样计数器的作用就象一个iButton供电电池的能量计指示。

在装配iButton器件时，器件采样计数器归零。在最后的测试中，该计数器的值增加两次。器件采样计数器的值是一个无符号型的24位整数，其最大值可表示为16,777,215。

主机可根据器件配置字节的设置情况来区分DS2422和不同版本的DS1922 iButton器件，各个器件所对应的代码请参考器件配置寄存器表。

安全加密

DS1923具有两种密码，分别用来控制读访问和完全访问。对暂存器进行读/写操作以及执行Forced Conversion命令均不需要密码。在发送存储命令码或控制功能命令码之后需立即发送密码。如果密码检测功能已被激活，就将发送来的密码与储存在器件里的密码进行比较。密码控制寄存器中的数据值可用来确定密码检测功能是否可用。

为激活密码检测功能，EPW位必须是一个10101010 (AAh)形式的二进制数。而EPW的默认值并不是AAh。如果EPW位不是AAh，可接受长度正好是64位的任意值。一旦密码检测功能使能，更改密码及禁用密码检测功能都需要知道当前完全访问的授权密码。

带8KB数据记录存储器的 Hygrochron温度/湿度记录器iButton

读操作密码寄存器

ADDRESS	BIT 7	BIT 6	BIT 5	BIT 4	BIT 3	BIT 2	BIT 1	BIT 0
0228h	RP7	RP6	RP5	RP4	RP3	RP2	RP1	RP0
0229h	RP15	RP14	RP13	RP12	RP11	RP10	RP9	RP8
...	...							
022Eh	RP55	RP54	RP53	RP52	RP51	RP50	RP49	RP48
022Fh	RP63	RP62	RP61	RP60	RP59	RP58	RP57	RP56

注：对该寄存器只能进行写操作，若读取该寄存器则结果将为全零。当任务正在进行中时不能更改密码。

完全访问密码寄存器

ADDRESS	BIT 7	BIT 6	BIT 5	BIT 4	BIT 3	BIT 2	BIT 1	BIT 0
0230h	FP7	FP6	FP5	FP4	FP3	FP2	FP1	FP0
0231h	FP15	FP14	FP13	FP12	FP11	FP10	FP9	FP8
...	...							
0236h	FP55	FP54	FP53	FP52	FP51	FP50	FP49	FP48
0237h	FP63	FP62	FP61	FP60	FP59	FP58	FP57	FP56

注：对该寄存器只能进行写操作，若读取该寄存器则结果将为全零。当一项任务正在进行中时不能更改密码。

在密码检测功能被激活之前，需将只读密码和完全访问密码(进行读/写/控制的密码)写入密码寄存器。设置密码或使能/禁用密码检测的方法与将数据写入存储单元相同，所不同的只是地址上的差别。由于这两种密码位于同一个存储页面，因此可以同时对他们进行重设。

只读密码必须严格按照RP0、RP1...RP62、RP63的顺序发送。该密码只会在主机发出Read Memory with CRC命令时起作用。如果主机发送的密码正确或密码检测功能没有使能，DS1923将发送主机要求读取的数据。

完全访问密码必须严格按照FP0、FP1...FP62、FP63的顺序发送。该密码会在主机发出Read Memory with CRC、Copy Scratchpad、Clear Memory、Start Mission和Stop Mission命令时起作用。如果主机发送的密码正确或密码检测功能没有使能，DS1923将执行主机发送的命令。

由于写访问逻辑的特殊性，密码控制寄存器和以上两种密码必须被同时写入。当需要设置新密码时，往往应在发送Copy Scratchpad命令之前回读暂存器以做验证。在成功地将新密码从暂存器复制到存储单元之后，应通过用新数据填充(执行Write Scratchpad命令)的方式擦除暂存器中的内容，否则该密码会在暂存器中保留有一个副本，其它人就可能通过该密码执行访问了。

带8KB数据记录存储器的 Hygrochron温度/湿度记录器iButton

数据记录存储器的用法

一旦任务建立，DS1923将会以相同的时间间隔记录温度和/或湿度的测量值，并把结果存入数据记录存储器。数据记录存储器能够存储8192个8位数据或4096个16位数据(见图7a)。如果温度和湿度数据的存储格式相同，则把存储器划分为两个大小相等的存储单元，分别能存储4096个8位数据或2048个16位数据(见图7b)。如果温度和湿度数据的存储格式不同，如：温度值为8位而湿度值为16位，则把存储器划分为大小不等的存储单元，分别记录2560个温度或湿度数据(见图7c)。在这种情况下，存储器高端地址中将有256个字节未被使用。以16位格式存储数据时，高8位存储在存储器单元的低地址。如果知道启动时间点(任务时标)及温度测量时间间隔，就可知道每个测量的时间和日期。

在DS1923数据记录存储器存满之后，可采取以下两种措施，分别是：用户可将器件设置为停止记录数据(即禁用循环功能)；用户也可以用新数据覆盖先前存入的数据(即启用循环功能)，每次存入数据时都从各自存储区的起始处重新开始。综合考虑任务采样计数器的内容、采样速率和任务时间标记，就可恢复出数据记录存储器中各个存储数据的时间采样点。这样为新近的测量提供了精确的历史数据，但无法恢复更早的测量数据。

任务设置

DS1923 iButton的典型任务就是记录温度和/或湿度。在器件开始工作之前，需要进行相关的设置，这个过程则称为任务设置。

首先，需要对DS1923内置的实时时钟进行设置，保证其时间和日期准确无误，参考时间可以是当地时间，或当它用于移动物体时，采用UTC(也称为GMT，格林尼治标准时间)，或其它任何事先约定的时间标准。设置时实时时钟振荡器必须处于工作状态(EOSC = 1)。用来保存任务时间标志、任务采样计数器和报警标志位的存储器必须通过Clear Memory命令清零。为使DS1923能够执行一个任务，两个记录使能位(ETL、EHL)至少有一个必须被设置为1。无论DS1923用于监控哪种类型的物体，也无论工作时间的长短，这些常规设置必不可少。

如果希望产生报警信号的话，还必须设置温度报警和/或湿度报警的下限阈值和上限阈值。关于如何将温度值转换为二进制代码并写入阈值寄存器中的相关内容请参考温度转换部分，湿度报警阈值的设定请参考湿度转换部分。此外，要想使设置的下限阈值和/或上限阈值正常工作，必须把温度和/或湿度报警位设为允许状态，此时假如器件满足某个报警条件的话，该器件就可对Conditional Search ROM命令做出响应(请参考1-Wire ROM功能命令)。

RO位(循环使能位)的设置和采样速率取决于任务持续时间以及监控要求。如果最后检测的数据记录非常重要，则RO就要设定为允许循环(RO = 1)。否则，应以分钟为单位来估算任务的持续时间，然后用该时间除以8192(单通道8位格式)或4096(单通道的16位格式，两个通道的8位格式)、2048(两个通道16位格式)、2560(两个通道，一个为8位格式，一个为16位格式)，计算出不会导致数据溢出的采样速率(两次温度转换间隔的分钟数)。例如，如果估算出这个任务的持续时间为10天(= 14400分钟)，假定采用的数据格式为8位，那么DS1923内部的8192字节的数据记录存储器所支持的最小采样间隔为1.8分钟(110秒)。如果一个DS1923的数据记录存储器的空间不够用来存储所有的读数，可采用多个器件级联工作，通过设置任务开始延迟时间实现数据的连续记录，当第一个器件被装满后，第二个器件就开始记录，依次类推进行。为了禁止循环记录，要将RO位设置为0，否则将覆盖掉已经存储的记录数据。

将RO位和任务启动延迟设置完毕后，还需将采样速率写入到采样速率寄存器中。这个采样速率可以是1至16,383之间的任何数值，用无符号14位二进制码表示。最快的采样速率为每秒采样一次(EHSS = 1，采样率 = 0001h)，而最慢的采样率为每273.05小时采样一次(EHSS = 0，采样率 = 3FFh)。例如，如想要每6分钟采样一次，则采样率设为十进制的6(EHSS = 0)或360(相当于EHSS = 1时采样率为0168h)。

如果担心外界对DS1923进行越权访问或数据操作，就需设置只读密码和完全访问密码。在密码生效之前，需先将密码保护功能激活，详细内容请参考安全加密部分。

带8KB数据记录存储器的 Hygrochron温度/湿度记录器iButton

DS1923

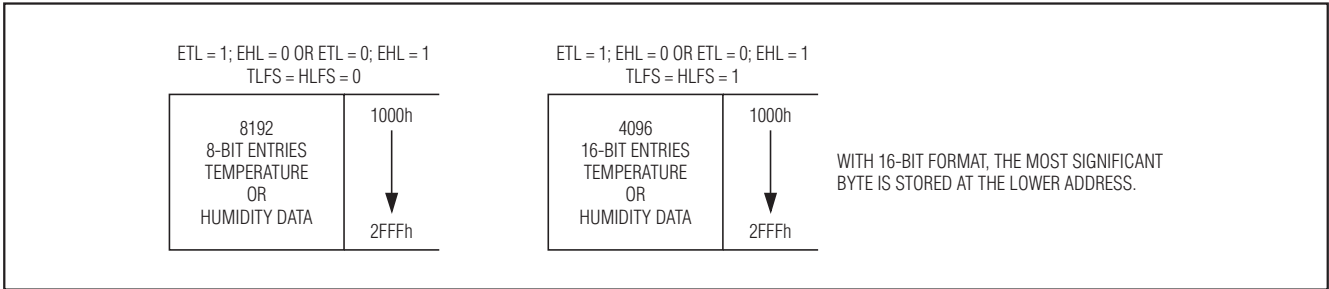


图7a. 单通道记录

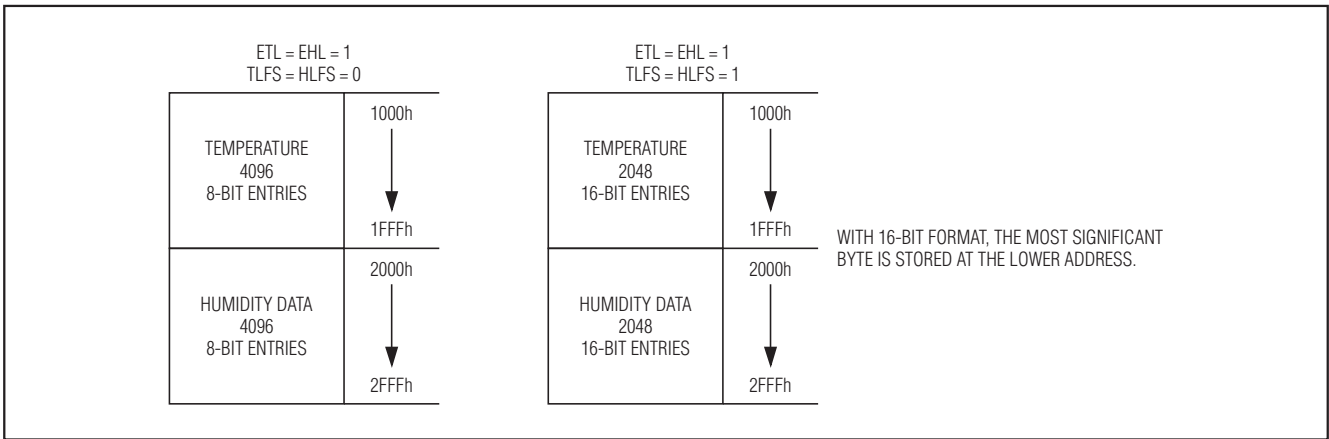


图7b. 双通道记录，分辨率相同

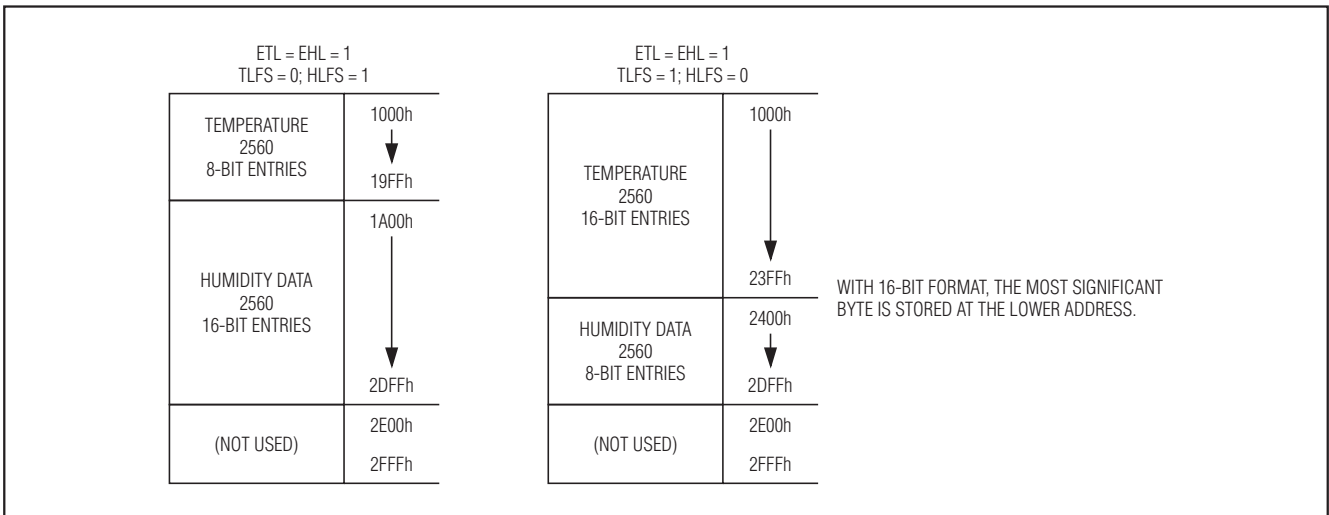


图7c. 双通道记录，分辨率不同

带8KB数据记录存储器的 Hygrochron温度/湿度记录器iButton

存储器访问

地址寄存器和传输状态

开始执行一项任务的最后一个步骤就是发送Start Mission命令。当DS1923接收到这个命令时，会立即把MIP标志设为1并清除MEMCLR标志。在立即/延迟开始模式(SUTA = 0)下，待所设定任务启动延迟时间结束后，DS1923将开始工作，接着把当前日期和时间复制到任务时间标志寄存器中，同时开始记录器件第一个数据，此时任务采样计数器和器件采样计数器也随之自动加1。随后所有的记录也都将按照采样速率寄存器以及EHSS位中所设定的数值进行。

如果选择了启动前温度报警模式(SUTA = 1)，并允许记录温度(ETL = 1)，DS1923首先进入等待状态直到启动延迟时间结束，然后按采样速率和EHSS位设的时间间隔被唤醒并进行温度测量，此时只有器件采样计数器会自动加1。只有当出现温度报警时，才开始记录任务的第一个采样，但此时任务采样计数器并不加1，当一个采样周期结束后，把任务时间标志寄存器置位，此时任务采样计数器和器件采样计数器同时加1。随后所有的记录也都将按照采样速率寄存器以及EHSS位中所设定的数值进行。

通用存储器与其它存储器部分相互独立地工作，没有进行写保护。在任何时间都可读取DS1923所有的存储器，以便于监视任务执行的整个过程。但是此时如果试图读取密码，读的结果将是00h，而不是读取存储在密码寄存器中的密码。

由于采用串行数据传输，所以DS1923用到了三个地址寄存器，分别为TA1、TA2和E/S(图8)。寄存器TA1、TA2用于保存数据写入的目标地址和利用读命令来发送到主机的数据的目标地址。E/S寄存器的作用相当于字节计数器和传输状态寄存器，与写命令相配合，可用来校验数据的完整性。主机对该寄存器只能进行读操作。E/S寄存器的低5位是用来表示写入到暂存器中的最后一个字节的地址，该地址称为结束偏移地址。**要想执行Copy Scratchpad命令，DS1923要求结束偏移地址必须为1Fh。**E/S寄存器的第5位称为PF或不完整字节标志位。如果主机发送的数据位不是8的整数倍时，则该位将被置位。E/S寄存器的第6位始终为0。需要注意的是：如果采用立即存储记录模式的话，目标地址的最低5位也用来确定暂存器的地址，这个地址称为起始字节偏移地址。例如：如果Write Scratchpad命令的目标地址为13Ch，暂存器将从1Ch的字节偏移地址开始存储数据，那么仅存入4个字节后就被装满。该例中对应的结束偏移地址为1Fh。为了实现更快的速度和更高的效率，写命令的目标地址要指向每一页面的起始地址，也就是字节偏移地址为0，这样，32字节的暂存器就全部可以得到利用，此时相应的结束偏移地址为1Fh。在响应

BIT NUMBER	7	6	5	4	3	2	1	0
TARGET ADDRESS (TA1)	T7	T6	T5	T4	T3	T2	T1	T0
TARGET ADDRESS (TA2)	T15	T14	T13	T12	T11	T10	T9	T8
ENDING ADDRESS WITH DATA STATUS (E/S) (READ ONLY)	AA	0	PF	E4	E3	E2	E1	E0

图8. 地址寄存器

带8KB数据记录存储器的 Hygrochron温度/湿度记录器iButton

Write Scratchpad命令之后，结束偏移地址、半字节标志位可协助主机检测数据的完整性。E/S寄存器的最高位叫做授权认可(AA)，用来指示暂存器中的有效Copy Scratchpad命令是否被接受、响应。向暂存器中写入数据时将把这个标志位清零。

带有验证的写操作

向DS1923写入数据时需要使用暂存器作为中间存储媒介。首先，主机发送Write Scratchpad命令来指定所期望的目标地址和要写入暂存器中的数据。下一步就是由主机发送Read Scratchpad命令来读取暂存器中的数据，并校验数据是否完整。作为暂存器中数据的报头，DS1923发送被请求的目标地址TA1和TA2以及E/S寄存器中的内容。如果PF标志位被置位，表明数据没有正确的存入暂存器中。主机不必继续读取数据，可以重新开始执行写暂存器操作命令。同样，AA标志位置位也是用来指示对器件的Write Scratchpad命令没有被正常接收。如果整个过程一切顺利的话，这两个标志位将被清零，此时结束偏移地址就是写入到暂存器中的最后一个字节地址。之后，主机可以开始对数据进行校验。主机完成数据校验后，发出一个Copy Scratchpad命令。在这个命令之后，必须依次紧跟着主机校验数据时读到的地址寄存器TA1、TA2和E/S的数据。DS1923接收到这些字节后，就会将数据立即复制到以目标地址开始的指定位置。

存储器和控制功能命令

图9描述了访问DS1923的存储器和特殊功能寄存器所需要的协议。关于如何利用这些功能或其它功能来设置DS1923任务的例子请参见任务举例：准备和开始一项新任务部分。主机与DS1923通信可采用标准速率(默认值，OD = 0)也可用高速模式(OD = 1)。如果事先不明确说明采用高速模式，DS1923就会假定为标准速率通信。任务期间内部存储器访问比通过1-Wire接口进行外部访问的优先级要高。这影响下述几个命令，详细内容请参考存储器访问冲突部分。

Write Scratchpad [0Fh]

主机发送Write Scratchpad命令后，必须马上紧跟着发送一个2字节的目标地址，然后是要写入暂存器的数据，这些数据写入暂存器的起始地址为字节偏移地址T[4:0]。主机发送的字节要足够多，要到达结束偏移地址1Fh。如果写入的某个数据字节不完整，则该数据将被忽略不计，同时半字节标志PF位将被置位。

执行Write Scratchpad命令时，DS1923内部的CRC发生器将计算整个数据流的对应的CRC检验码，这个数据流的开头为命令代码，结尾为主机发送的最后一个数据字节(参见图15)。采用CRC-16多项式，生成这个CRC检验码的过程：首先清空CRC发生器，然后再依次移入Write Scratchpad命令的命令代码(0Fh)、主机所提供的目标地址寄存器TA1和TA2，以及所有的数据字节。如果结束偏移地址为11111b，主机可以发送16个读时隙，接收DS1923所生成的CRC-16反码。

需要注意的是：在执行任务期间，这两个寄存器页面都是写保护的。即使Write Scratchpad命令工作是正常的，但在任务期间发生的复制暂存器至某个寄存器页面的操作仍将出错。

带8KB数据记录存储器的 Hygrochron温度/湿度记录器iButton

Read Scratchpad [AAh]

Read Scratchpad命令用来校验暂存器中的数据和目标地址。主机在发出Read Scratchpad命令后，就开始读取数据。前两个字节是目标地址，下一个字节是结束偏移/数据状态字节(E/S)，紧接着就是从字节偏移T[4:0]开始的暂存器中的数据，如图8所示。主机持续读取数据一直读到暂存器的末尾，此后主机还将接收由命令代码、目标地址寄存器TA1、TA2、E/S字节和起始于目标地址的暂存器数据等生成的CRC-16反码。在读取CRC之后，总线主机从DS1923读到的数据将始终是逻辑1，直到出现复位脉冲为止。

Copy Scratchpad [with Password] [99h]

该命令用于将暂存器中的数据复制到可写入的存储器。主机发出Copy Scratchpad命令后，必须紧跟着给出一个3字节的授权样式。这个授权样式是在读暂存器进行校验时得到的，就是地址为三个地址寄存器中的数据(依次按照TA1、TA2、E/S的次序进行排列)。接下来，主机再发出64位完全访问密码。如果设置为需要密码验证，而主机发送的密码与所储存的完全访问密码又不一致，这次Copy Scratchpad命令将失败。之后，主机通信停止，并等待复位脉冲的到来。如果密码是正确的，或者设置为不需要进行密码验证，主机就开始判定这个3字节的授权代码是否正确。如果授权代码匹配，则AA(授权认可)标志位被置位，开始复制操作。在数据复制完成后，将交替发送1和0响应主机读操作，直到主机发出复位脉冲为止。在复制过程中，将忽略任何复位操作。复制一个字节通常需要2 μ s。

要复制的数据是由三个地址寄存器来决定，从起始偏移位置开始到结束偏移位置的暂存器数据将被复制到存储器中目标地址以后的单元中。期间，AA标志位始终保持逻辑1状态，直到下一个Write Scratchpad命令将其清零为止。若密码正确的话，可将数据存储器的16个页面和校准存储器的2个页面全部进行复制操作。在执行任务过程

中，对寄存器页面的写入不会成功，AA位(授权认可)在执行任务过程中一直保持为0状态就表明了这一点。

Read Memory with [Password and] CRC [69h]

Read Memory with CRC命令是从DS1923读取数据的一个常用命令。采用这个命令，在发送完存储器页面的最后一个数据字节后，可生成和传送一个16位CRC校验码。

主机在发送Read Memory with CRC命令之后，必须紧跟着发送一个2字节地址来指示起始字节的位置。接下来，主机还必须发送一个64位的密码。如果设置为需要密码验证，而主机发送的密码与所储存的密码又不一致，这次Read Memory with CRC命令将失败，之后器件停止通信，并等待复位脉冲。如果密码正确，或者DS1923设置为不需要进行密码验证，主机就从DS1923的起始地址开始读取数据，一直读到32字节的页面末尾为止。之后总线主机再发送16个读数据间隙，来接收16位CRC校验码的反码。在随后的读数据间隙里，主机接收到的就是下一个存储器页面的数据以及该页的CRC检验码。这个读序列一直进行，直到总线主机对该器件进行复位为止。当试图读取密码和标注为“保留”的存储器区域时，DS1923分别传送00h或FFh字节。在每个32字节存储器页面末尾的CRC检验码取决于被发送的数据。

在执行Read Memory with CRC命令流程时，最初产生的16位CRC校验码是将CRC发生器清零后，移入命令字节，接下来再移入2地址字节，再移入数据存储器的内容而生成的。而随后再产生的16位CRC校验码是将CRC发生器清零后移入数据存储器的内容而生成的。读完最后一页的16位CRC校验码，总线主机从DS1923接收的数据将会一直是逻辑1，直到复位脉冲出现为止。任何时刻只要发出一个复位脉冲，这个Read Memory with CRC命令时序即可结束。

带8KB数据记录存储器的 Hygrochron温度/湿度记录器iButton

DS1923

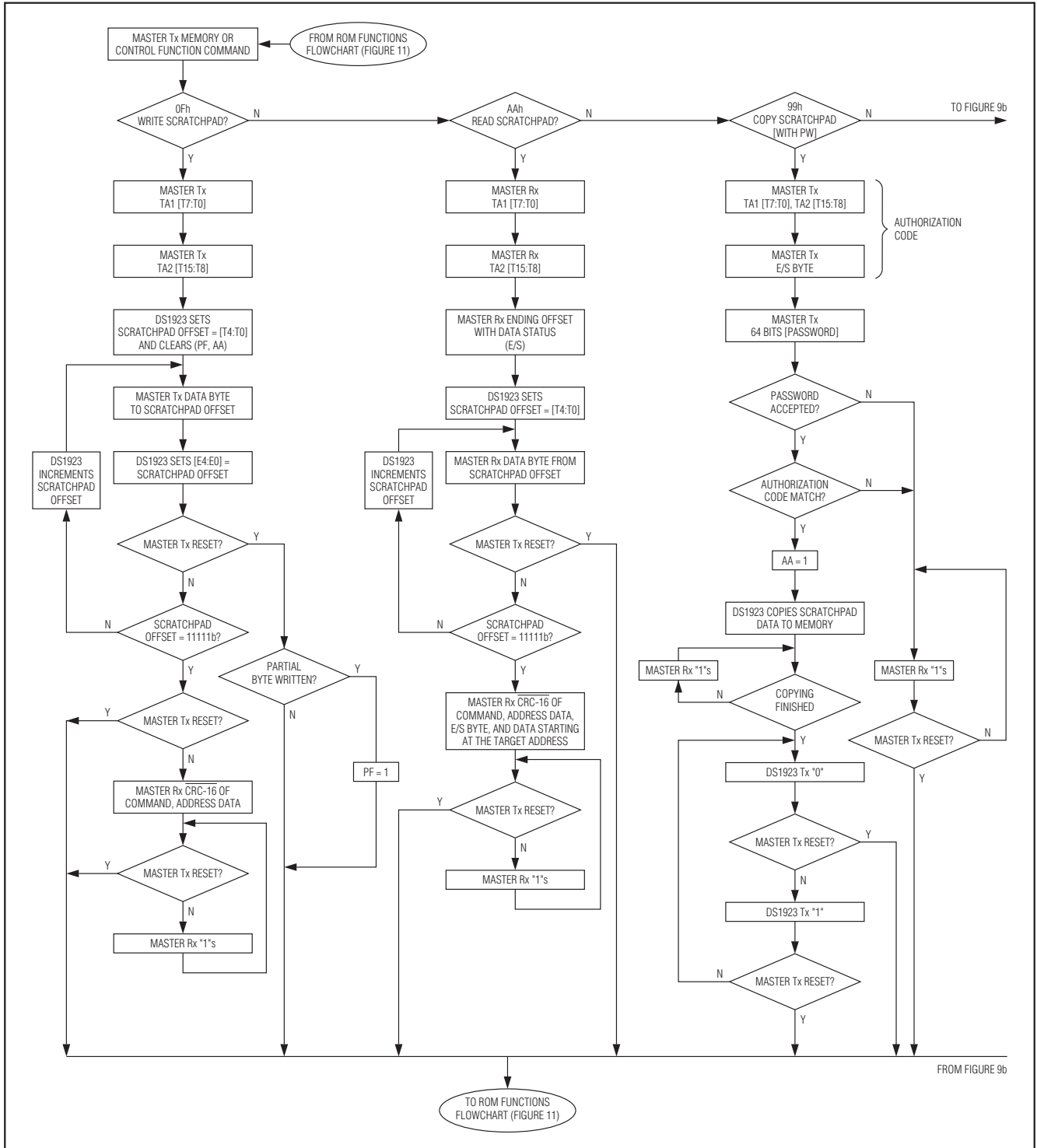


图9a. 存储器/控制功能流程图

带8KB数据记录存储器的 Hygrochron温度/湿度记录器iButton

DS1923

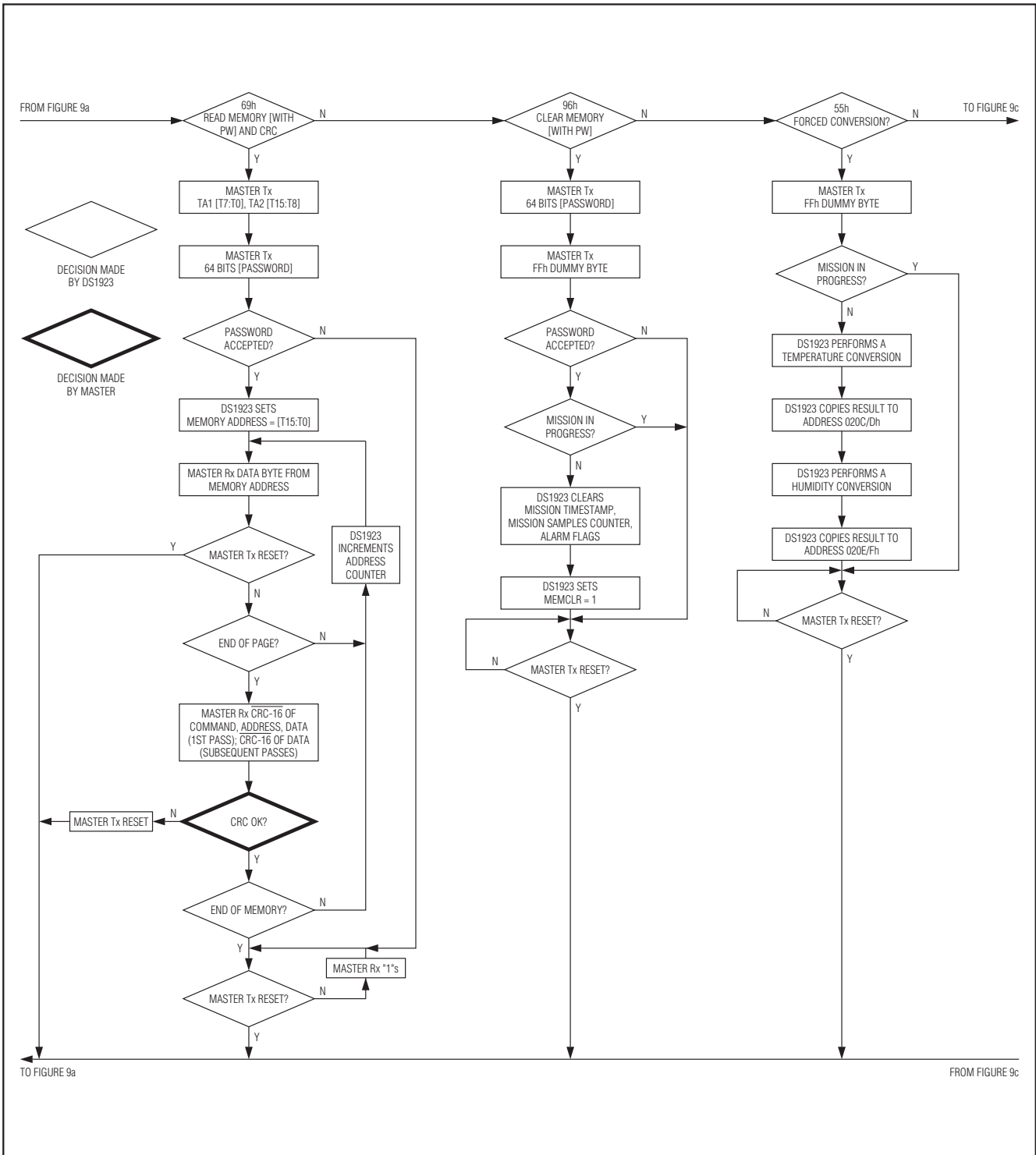


图9b. 存储器/控制功能流程图(续)

带8KB数据记录存储器的 Hygrochron温度/湿度记录器iButton

DS1923

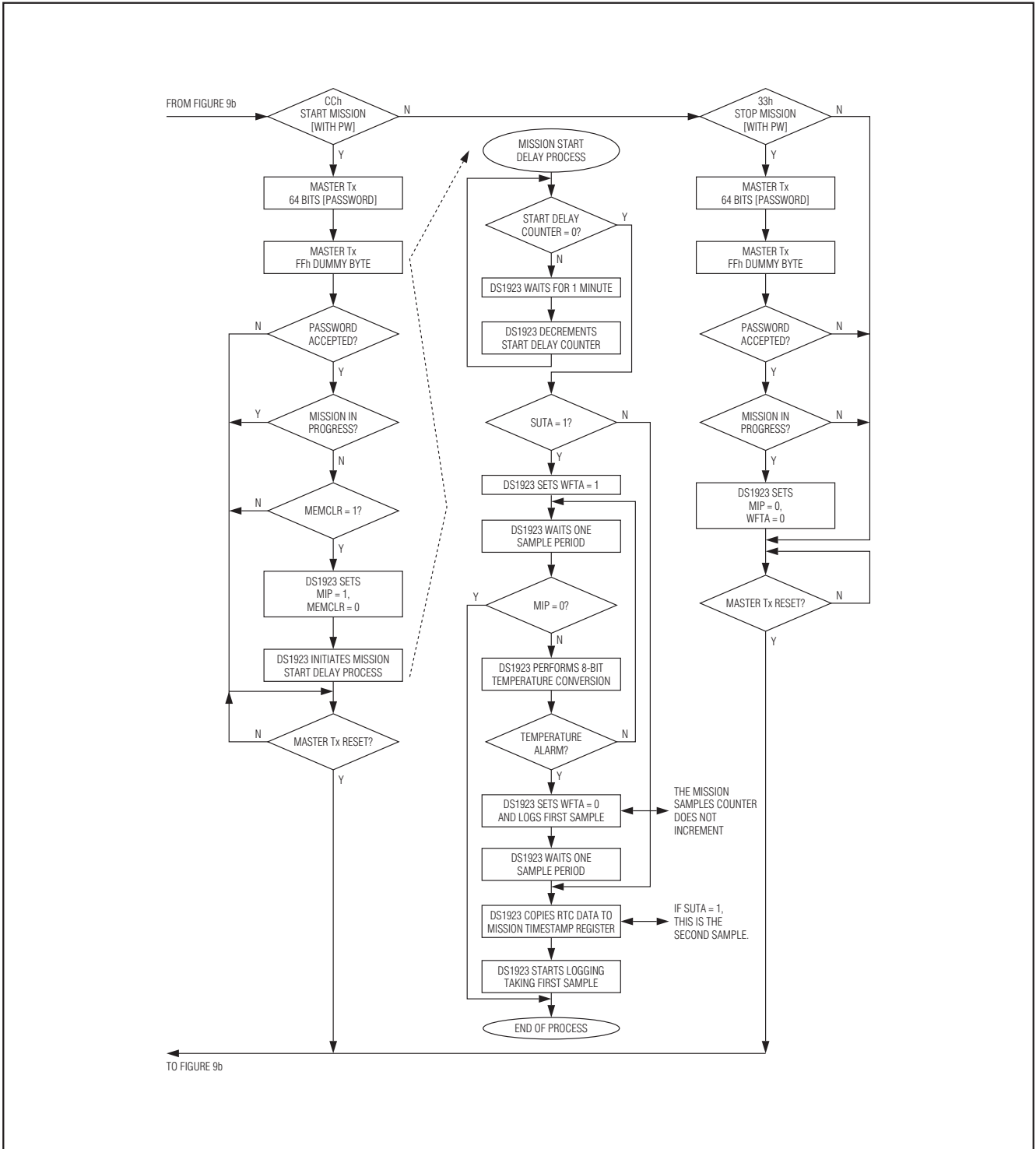


图9c. 存储器/控制功能流程图(续)

带8KB数据记录存储器的 Hygrochron温度/湿度记录器iButton

Clear Memory [with Password] [96h]

Clear Memory命令是为器件另一个任务做准备的。在器件没有任务进程时，该命令才能执行。主机发送命令代码之后，要紧跟着64位完全访问密码，之后是一个FFh空字节。如果DS1923设置为需要密码验证并且所传送的密码与存储的完全访问密码不一致时，或该命令发送是在任务的进程期间发出的，则这次Clear Memory命令将失效，此后器件则停止通信，并等待复位脉冲的到来。如果密码是正确的或者设置为不需要进行密码验证，DS1923将清零任务时间标志、任务采样计数器以及报警状态寄存器的所有报警标志位。在清除这些相应的位后，通用状态寄存器的MEMCLR位变为1，表明这次Clear Memory命令操作成功。由于有任务采样计数器来指示数据记录存储器中有多少个数据是有效的，就没有必要在执行该命令时再清除数据记录存储器。

Forced Conversion [55h]

Forced Conversion用来测量温度和湿度，而无须启动一个任务。主机发送这个命令代码之后，必须紧跟着发出一个FFh字节，来启动转换。转换的结果就是在当前温度转换结果寄存器、当前湿度转换结果寄存器中的16位数值。Forced Conversion命令只有在没有任务进程(MIP = 0)时，才能执行。在Forced Conversion命令执行时不能中断，完成这个命令最多需要666ms。在此期间不能通过1-Wire接口进行存储器访问。在任务执行期间，当存储/控制功能命令干扰采样时，器件的表现与上述情况相同，如需了解详细内容，请参考存储器访问冲突部分。

Start Mission [with Password] [CCh]

DS1923通过执行控制功能命令来开始一个新的任务。这个新任务只能在先前的任务已经结束，并且DS1923存储器已被清零，才开始被执行。主机发送这个命令代码之后，必须再紧接着发送64位完全访问密码，后面再紧接着是个空字节FFh。如果DS1923设置为需要密码验证的话，并且主机所发送的密码与器件存储的完全访问密码不一致，或者该命令是在一个任务的执行期间发出的，则Start Mission命令将操作失败，之后该器件停止通信，等待复位脉冲的到来。如果密码是正确的，或者DS1923设置为不进行密码验证，则DS1923就开始执行新的任务。若SUTA = 0，当任务启动延迟结束后，立即开始采样。若SUTA = 1，当出现温度报警时，采样数据被开始写入数据记录存储器，但任务采样计数器并不自动加1。在一个采样周期后，任务时间标记被置位，开始正常的采样和记录。当器件处在等待温度报警出现时，通用状态寄存器的WFTA标志位为1。在任务执行期间，只能对寄存器页进行读操作。

Stop Mission [with Password] [33h]

DS1923用这个控制功能命令来停止一个任务，只能停止正在执行过程中的任务。在发送这个命令码后，主机必须紧跟着发出64位完全访问密码，再紧跟着发送一个FFh空字节。如果DS1923设置为需要密码验证的话，并且主机发送的密码与所存储的完全访问密码不一致时，或没有正在执行的任务时，Stop Mission命令将不起作用。器件将停止通信，等待复位脉冲的到来。如果密码是正确的，或者DS1923设置为不需要进行密码验证，器件将清空通用状态寄存器的MIP位，并恢复对寄存器页面的写操作。执行该命令时，WFTA位不会被清空，请参考通用状态寄存器所描述的清空WFTA位的方法。

带8KB数据记录存储器的 Hygrochron温度/湿度记录器iButton

DS1923

存储器访问冲突

在任务进程或在器件正在等待温度报警来开始一个新的任务时，DS1923会定期对温度和/或湿度值进行采样并记录数据。内部访问的优先级要高于1-Wire通信。因此，当内部和外部访问相互冲突时，则特有的器件命令(除ROM功能命令和1-Wire复位之外)将不能正常执行。但Start Mission命令、Forced Conversion命令和Clear Memory命令不会受到影响，这是由于在任务进程期间或在器件正在等待出

现温度报警期间，不会使用器件的这些命令。表5给出了内部访问对其余5条命令的影响、怎样检测冲突及在该种情况下如何工作。

在采用高速采样速率(每秒采样一次)和高分辨率记录格式时，冲突发生的机会就大。当同时记录温度和湿度时，冲突的持续时间可高达666ms。而在低速采样速率下，冲突则几乎不会发生。因此，在编写驱动程序时，应了解冲突发生的可能性，并采取有效措施进行防范。

表5. 存储器访问冲突和解决方法

COMMAND	INDICATION OF INTERFERENCE	SOLUTION
Write Scratchpad	The CRC-16 at the end of the command flow reads FFFFh.	Wait 0.5s, 1-Wire reset, address the device, repeat Write Scratchpad with the same data, and check the validity of the CRC-16 at the end of the command flow. Alternatively, use Read Scratchpad to verify data integrity.
Read Scratchpad	The data read changes to FFh bytes or all bytes received are FFh, including the CRC at the end of the command flow.	Wait 0.5s, 1-Wire reset, address the device, repeat Read Scratchpad, and check the validity of the CRC-16 at the end of the command flow.
Copy Scratchpad	The device behaves as if the authorization code or password was not valid or as if the copy function would not end.	Wait 0.5s, 1-Wire reset, address the device, issue Read Scratchpad, and check the AA bit of the E/S byte. If the AA bit is set, Copy Scratchpad was successful.
Read Memory with CRC	The data read changes to all FFh bytes or all bytes received are FFh, including the CRC at the end of the command flow, despite a valid password.	Wait 0.5s, 1-Wire reset, address the device, repeat Read Memory with CRC, and check the validity of the CRC-16 at the end of the memory page.
Stop Mission	The General Status register at address 0215h reads FFh or the MIP bit is 1 while bits 0, 2, and 5 are 0.	Wait 0.5s, 1-Wire reset, address the device, and repeat Stop Mission. Perform a 1-Wire reset, address the device, read the General Status register at address 0215h, and check the MIP bit. If the MIP bit is 0, Stop Mission was successful.

带8KB数据记录存储器的 Hygrochron温度/湿度记录器iButton

1-Wire总线系统

1-Wire总线系统由一个总线主机和一个或多个从器件组成。在所有应用实例中，DS1923都作为从器件使用，总线主机通常是一个微控制器。对1-Wire总线系统的讨论分为3个部分：硬件配置、处理流程和1-Wire信令(信号类型和时序)。1-Wire协议根据特定时隙中总线的状态来工作，这些特定时隙始于总线主机发出的同步脉冲的下降沿。

硬件配置

1-Wire总线系统根据定义只有一根数据线，因此在合适的时间驱动总线上的各个器件是十分重要的。为使上述操作易于实现，接到1-Wire总线上的每个从器件的输出必须为漏极开路或三态输出。DS1923的1-Wire端口是漏极开路输出，其内部等效电路如图10所示。

多点总线系统由一根1-Wire总线和多个从器件组成。标准速度模式下，1-Wire总线的最大数据传输速度为16.3kbps；高速模式下，1-Wire总线的最大数据传输速度高达142kbps。DS1923并非完全符合iButton标准。在标准速度模式下，DS1923的最大数据传输速率为15.4kbps，在高速模式下，传输速率为125kbps。上拉电阻的阻值主要取决于网络大

小和负载的状态。在任何速度模式下，DS1923都需要一个最大值为 $2.2k\Omega$ 的上拉电阻。

1-Wire总线的空闲状态为高电平。不管是何种原因需要暂停处理流程，且要求处理流程还能继续时，**必须**将总线置于空闲状态。如果情况不是这样，且总线保持低电平的时间超过 $16\mu s$ (高速模式)或超过 $120\mu s$ (标准速率)时，总线上的所有从器件将被复位。注意：DS1923不完全满足标准的1-Wire高速模式下最长 $16\mu s$ 的低电平时间。为了确保1-Wire总线上的DS1923不执行复位操作，挂接了DS1923的总线在高速模式下置于低电平的时间不能超过 $12\mu s$ 。当DS1923配合1-Wire驱动器DS2480B或DS2490以及基于该驱动器的适配器工作时，能够进行正确通信。

处理流程

通过1-Wire端口访问DS1923的协议如下：

- 初始化
- ROM功能命令
- 存储器/控制功能命令
- 处理/数据

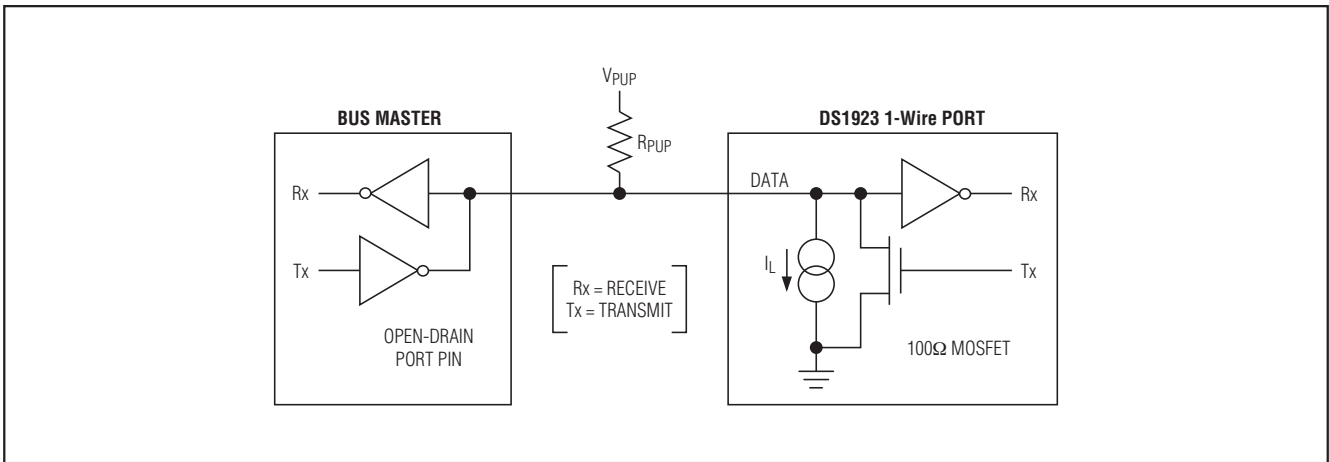


图10. 硬件配置

带8KB数据记录存储器的 Hygrochron温度/湿度记录器iButton

DS1923

初始化

1-Wire总线上的所有处理流程均从初始化过程开始。初始化序列由主机发送的复位脉冲和从机发送的应答脉冲组成。应答脉冲用于通知总线主机从器件DS1923已挂接到总线上，并已准备就绪。有关这方面的更多详细内容，请参见1-Wire信令部分。

1-Wire ROM功能命令

一旦总线主机检测到在线应答脉冲，就会发出DS1923所支持的8条ROM功能命令中的一个。所有ROM功能命令的长度都是8位。以下是ROM命令的简要介绍(参考图11所示流程图)。

Read ROM [33h]

总线主机用该命令读取DS1923的8位家族码、唯一的48位序列码和8位CRC码。该命令适用于总线上只有一个从器件的情况。如果总线上连接了多个从器件，那么当所有从器件都试图在同一时刻发送数据时就会发生数据冲突(漏极开路导致的结果就是“线与”)，结果会导致主机读取的家族码、48位序列码与CRC码不匹配。

Match ROM [55h]

Match ROM命令后紧跟着64位ROM码，总线主机利用该命令可以访问多点总线上某个特定的DS1923。只有其内部ROM码与主机发出的64位ROM码正确匹配的DS1923才会响应随后的存储功能命令，而与64位ROM码不匹配的其它所有从器件就处于等待复位脉冲状态。该命令适用于总线上有一个或多个从器件的情况。

Search ROM [F0h]

当系统启动初始化时，总线主机可能不知道1-Wire总线上挂接器件的数量，也不知道各个器件的注册码。利用总

线的“线与”特性，总线主机采用排除法来确定所有从器件的注册码。为得到注册码的各个位，总线主机从注册码的最低有效位开始发送3个时隙。在第1个时隙中，参与查询的从器件输出自身注册码的原码。在第2个时隙中，参与查询的从器件输出的是其注册码的反码。第3个时隙中，由主机写入所选位的原码。所有与主机写入的位不匹配的从器件都将停止搜索。如果主机读取到的从器件的原码和反码均为0，那么，总线主机将认为至少存在两个以上的从器件，而且它们的ROM码不同。选择1或0写入从器件，总线主机的注册码树就出现了分支。完成最低有效位到最高有效位的整个循环后，总线主机就得到了一个从器件的注册码。其余从器件的注册码可由另外的操作检测出来。关于Search ROM命令的详细介绍，请参考应用笔记187：1-Wire搜索算法，文中还给出了一个设计实例。

Conditional Search ROM [ECh]

除了只有满足特定条件的器件可参与搜索外，在其它方面，Conditional Search ROM命令的执行情况与Search ROM命令类似。在多点系统中，Conditional Search ROM命令为总线主机识别那些报告了重要事件的从器件提供了一种有效的方法。当每次成功地搜索到多点总线上的某个器件的64位ROM码后，就可以单独访问该器件了，就像发出Match ROM命令一样。而其它的从器件都将退出搜索过程，等待下一个复位脉冲的到来。

当报警状态寄存器(地址0214h)中的5个报警标志中有一个为1时，DS1923就会响应Conditional Search ROM命令。只有激活了温度和湿度报警功能后才会发送相应的报警(请参考温度传感器报警和湿度报警部分)。BOR报警信号始终处于有效状态。发生的第1次报警将使器件响应Conditional Search ROM命令。

带8KB数据记录存储器的 Hygrochron温度/湿度记录器iButton

Skip ROM [CCh]

在单点总线系统中，总线主机可使用该命令在不知道从器件64位ROM码的情况下直接访问存储器，从而节省时间。但是，如果总线上挂接有多个从器件，而且在Skip ROM命令后发出一个读命令，那么总线上的多个从器件就会同时传输数据，从而发生冲突(所有的漏极开路下拉产生“线与”结果)。

Resume [A5h]

通常，在开始一项任务前需要多次访问DS1923。在多点应用环境中，也就意味着每次访问都必须重复读取Match ROM命令后的64位ROM序列码。为了提高网络的数据吞吐量，可使用该Resume命令。执行该操作时首先检查RC标志的状态，如果RC标志为1，则直接传送存储/控制功能命令，类似于Skip ROM命令。Match ROM、Search ROM或Overdrive-Match ROM命令成功运行后，可把RC标志置1，此后便可用Resume命令来反复访问该器件。为了防止总线上的多个器件同时响应这个Resume命令，当访问总线上的另外一个器件时将会清除RC标志。

Overdrive-Skip ROM [3Ch]

在单点总线中，总线主机可通过Overdrive-Skip ROM命令在不知道64位ROM码的情况下访问存储/控制功能，从而节省时间。与普通Skip ROM命令不同的是，Overdrive-Skip ROM命令可将DS1923设置为高速模式(OD = 1)。执行了

此命令后，所有通信将运行在高速模式下，直到主机发送一个最短持续时间为690 μ s的复位脉冲把总线上的所有从器件重新设置为标准速度(OD = 0)为止。

对于多点总线，Overdrive-Skip ROM命令将会把所有支持高速模式的从器件设置为高速运行模式。为了以后能寻址到一个特定的支持高速模式的器件，必须在以高速模式的速率发出一个复位脉冲后发送Match ROM或Search ROM命令序列。这将加快搜索过程。如果总线上挂接有多个支持高速模式的从器件，并且在Overdrive-Skip ROM命令后跟随着一个读命令，那么当多个从器件同时发送信号时，总线上就会发生数据冲突(开漏下拉产生一个“线与”结果)。

Overdrive-Match ROM [69h]

在Overdrive-Match ROM命令之后，以高速模式的速率传送64位ROM码，可以使总线主机在多点总线上寻址一个特定的DS1923，并同时将其设置为高速模式。只有其内部ROM码与主机发出的64位ROM码匹配的DS1923才会响应随后的存储/控制功能命令。已经通过Overdrive-Skip ROM命令或Overdrive-Match ROM命令设为高速模式的从机将一直保持高速模式，直到主机发送一个至少690 μ s的复位脉冲才能使它们返回到标准速度。Overdrive-Match ROM命令适用于单点或多点总线。

带8KB数据记录存储器的 Hygrochron温度/湿度记录器iButton

DS1923

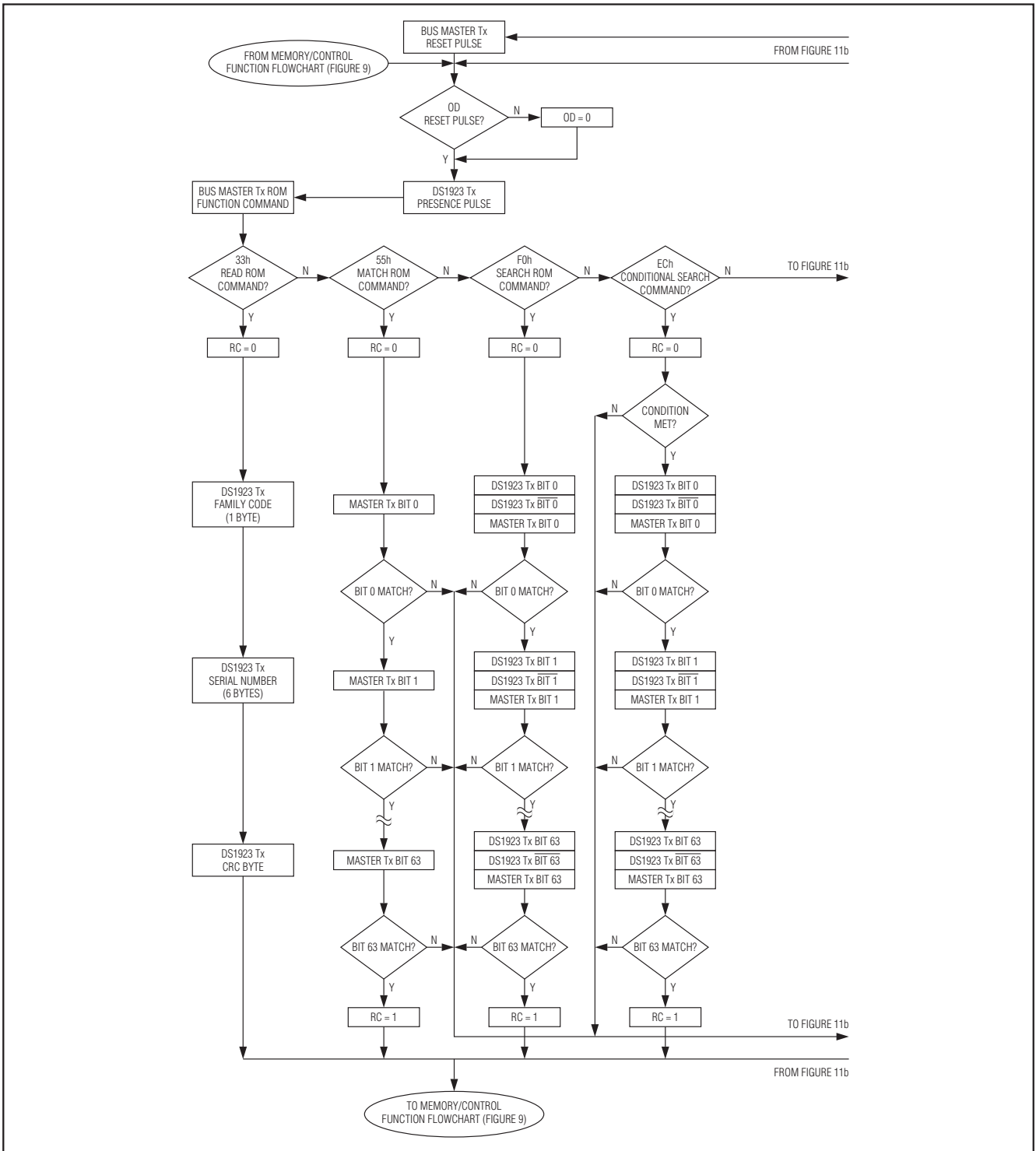


图11a. ROM功能流程图

带8KB数据记录存储器的 Hygrochron温度/湿度记录器iButton

DS1923

1-Wire 信令

DS1923需要严格的通信协议来保证数据的完整性。该协议由通过一条线来传送的四种信令组成：由复位脉冲和在线应答脉冲组成的复位序列、写0、写1、读数据。除在线应答脉冲以外，所有其它信号都由总线主机触发。DS1923有两种不同的通信速度：标准速度和高速模式下的速度。如果没有明确地设为高速模式，DS1923会以标准速度进行通信。在高速模式下工作时，所有波形均采用快速定时。

要把器件从空闲状态激活，必须将1-Wire总线上的电压从 V_{PUP} 降至阈值电压 V_{TL} 以下；为了使器件从运行状态转入空闲状态，需将1-Wire总线上的电压从 V_{ILMAX} 提升至阈值电压 V_{TH} 以上。如图12所示，电压上升所需的时间用“ ϵ ”表示，其值由上拉电阻(R_{PUP})和1-Wire网络上的电容决定。系统逻辑电平的确定与DS1923的 V_{ILMAX} 电压有关，但该电压并不触发任何事件。

DS1923通信时所需的初始化时序如图12所示。复位脉冲之后的应答脉冲表明DS1923已经准备好接收数据，可以发送正确的ROM命令和存储功能命令。如果总线主机采用摆率控制其下降沿，则为了补偿边缘时间，必须将总线拉低($t_{RSTL} + t_f$)。若 t_{RSTL} 的持续时间为 $690\mu s$ 或更长，会使器件退出高速模式，返回到标准速度模式。若DS1923处于高速模式且 t_{RSTL} 时长小于 $80\mu s$ ，DS1923仍将保持高速模式。

总线主机释放数据线并进入接收模式(Rx)后，1-Wire总线将通过上拉电阻或借助有源电路(采用DS2480B驱动器)将电压拉至 V_{PUP} 。当总线电压超过阈值电压 V_{TH} 后，DS1923将等待 t_{PDH} 时间，然后将总线拉低至 t_{PDL} 来发送一个应答脉冲。为了能够检测到在线应答脉冲，主机应该在 t_{MSP} 时刻对1-Wire总线的逻辑状态进行检测。

t_{RSTH} 的持续时间至少应该是 t_{PDHMAX} 、 t_{PDLMAX} 和 t_{RECMIN} 之和。 t_{RSTH} 时间终止后，DS1923马上就做好接收数据的准备。在多种从器件组成的多点网络中，标准速度下 t_{RSTH} 的持续时间至少应为 $480\mu s$ ；高速模式下 t_{RSTH} 的持续时间至少应为 $48\mu s$ ，这样才能适应大多数1-Wire器件的需要。

读/写时隙

与DS1923的数据通信是通过一个个时隙完成的，每个时隙只能传送一位数据。通过写时隙可把数据从主机传送给从机，通过读时隙可把数据由从器件传送给主机。读时隙和写时隙的定义如图13所示。

所有的通信都是从主机拉低数据线开始的。当1-Wire总线上的电压低于阈值电压 V_{TL} 时，DS1923利用其内部时基来确定在写时隙期间何时对数据进行采样，以及读时隙时数据保持多长有效时间。

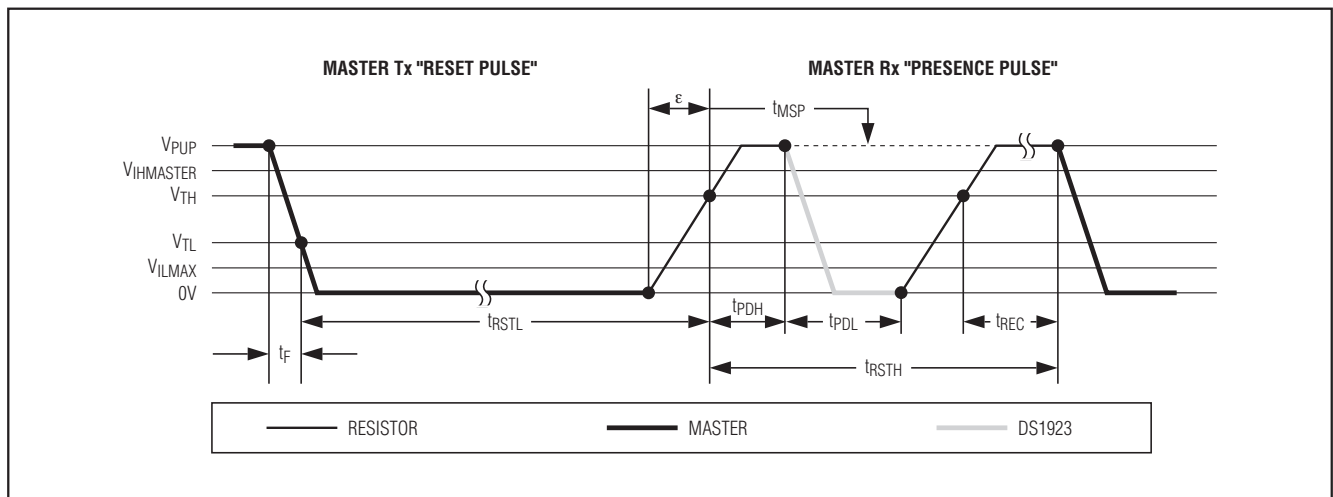


图12. 初始化过程：复位和在线应答脉冲

带8KB数据记录存储器的 Hygrochron温度/湿度记录器iButton

主机到从机

对于写1时隙来说，在写1为低的时间 t_{W1LMAX} 结束之前，数据线上的电压必须达到阈值 V_{TH} 。对于写0时隙来说，当写0为低的时间 t_{W0LMIN} 结束以前，线路上的电压必须低于阈值 V_{TH} 。在整个 t_{W0L} 或 t_{W1L} 持续时间内，数据线上的电压不能超过 V_{ILMAX} 。在下次时隙启动之前，数据线上的电压首先要上升到 V_{TH} 以上，并保持到恢复时间 t_{REC} 为止。

从机到主机

读数据时隙的开始与写1时隙相似。线路上的电压必须保持在 V_{TL} 以下，持续时间不低于低电平读取时间 t_{RL} 。在 t_{RL} 窗口，如果数据为0，DS1923将继续把数据线拉低，其内部时基决定何时结束总线拉低及何时再次拉高电压。当数据为1时，达到 t_{RL} 时，DS1923也不会将数据线拉低，总线电压开始升高。

主机的采样窗口(t_{MSRMIN} 到 t_{MSRMAX})由 $t_{RL} + \delta$ (上升时间)和DS1923的内部时基共同决定。在该窗口内，主机必须从数据线上读数据。为使通信更加可靠， t_{RL} 应该尽可能短，且主机应该在靠近又不超过 t_{MSRMAX} 时进行取样。当从数据线上读到数据后，主机必须开始等待，直到 t_{SLOT} 结束。这样才使DS1923有充足的恢复时间 t_{REC} ，以便为下面的时隙做好准备。

改善网络性能(切换点滞回)

在1-Wire系统中，仅主机(1-Wire驱动器)控制产生的信号瞬变期间可能实现线路终端匹配，因此，1-Wire网络很容易受到其它噪声的影响。根据网络的物理形状大小和拓扑结构的不同，从端点到分支点的反射可能会在一定程度上相互叠加或抵消。这种反射表现为1-Wire通信线路上的毛

刺或振荡。从外部源耦合到1-Wire线路上的噪声也产生信号毛刺。时隙上升沿时出现的毛刺可能会引起从器件与主机不同步，结果会造成Search ROM命令无效，或导致特定器件的功能命令中止。为提高网络性能，DS1923采用了一种新型的1-Wire前端，它对噪声的免疫力更强，可以降低从器件引入的噪声的幅度。

DS1923的1-Wire前端与传统的从器件相比有以下四个特点：

- 1) 在线应答脉冲的下降沿斜率是受控制的，这样提供了比数字开关晶体管更好的传输线阻抗匹配，将来自传统器件的高频振荡转换为更平滑的低频瞬变。限摆率控制由参数 t_{FPD} 指定，只是针对标准速度和高速模式，具有不同的取值。
- 2) 在这个改进的前端电路中增加了一个低通滤波器，用于检测时隙开始时的下降沿，可降低器件对高频噪声的敏感度。这个滤波器在高速工作时不起作用。
- 3) 由低到高的切换门限 V_{TH} 具有一定的滞回，这样当有一个负毛刺的电压低于 V_{TH} ，但不低于 $V_{TH} - V_{HY}$ 时，就不会判定为负脉冲(见图14中的情况A)。滞回在任何1-Wire速率下均起作用。
- 4) 该系统设计了一个由上升沿拖尾时间 t_{REH} 定义的时间窗口，在这个窗口内，即使毛刺电压低于了门限 $V_{TH} - V_{HY}$ (图14中的情况B， $t_{GL} < t_{REH}$)，仍然会被忽略。如果超过这个时间窗口，且毛刺电压或电压降低于 V_{TH} 门限，则滤波器就不能滤除这些噪声，将被主机误认为新时隙的开始(见图14中的情况C， $t_{GL} \geq t_{REH}$)。

只有那些在各自的电气特性中给出参数 t_{FPD} 、 V_{HY} 及 t_{REH} 定义的从器件才可以使用这一改进的1-Wire前端。

带8KB数据记录存储器的 Hygrochron温度/湿度记录器iButton

DS1923

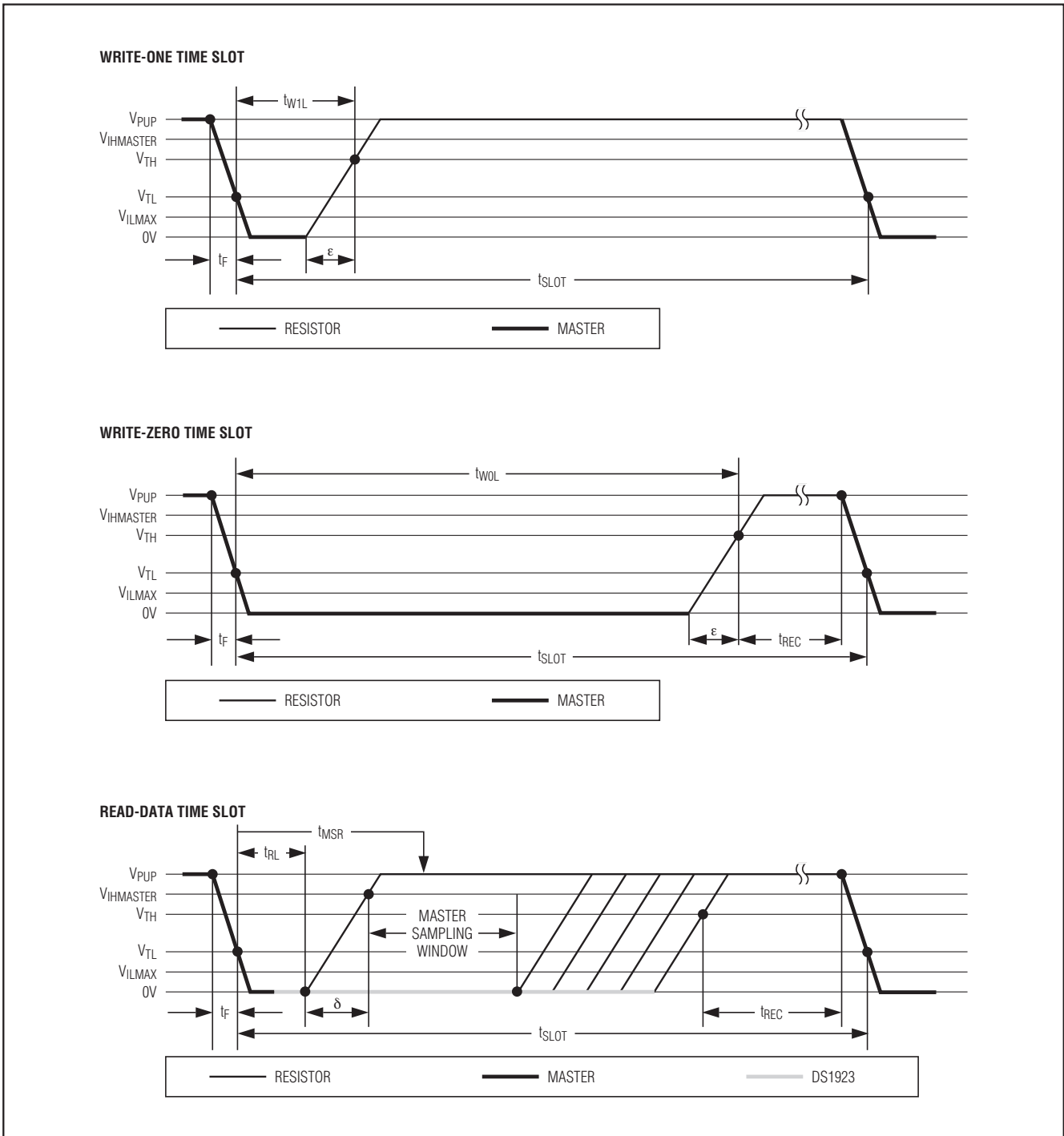


图13. 读/写时序图

带8KB数据记录存储器的 Hygrochron温度/湿度记录器iButton

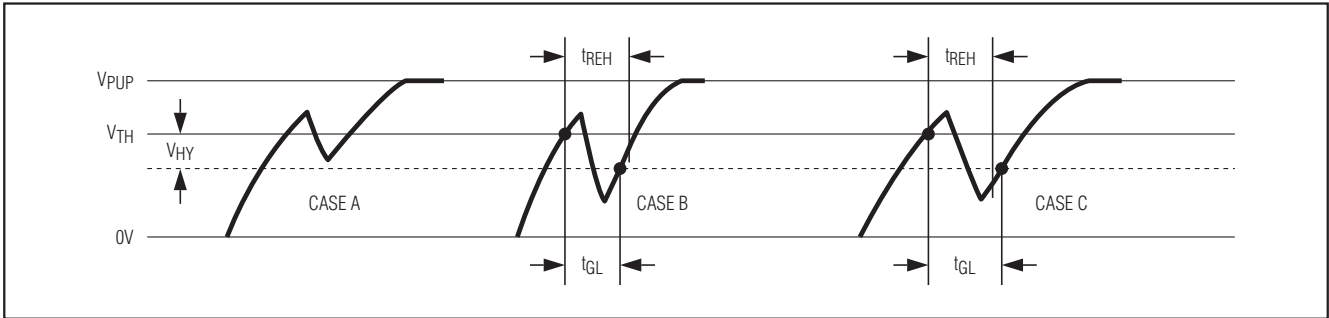


图14. 噪声抑制图

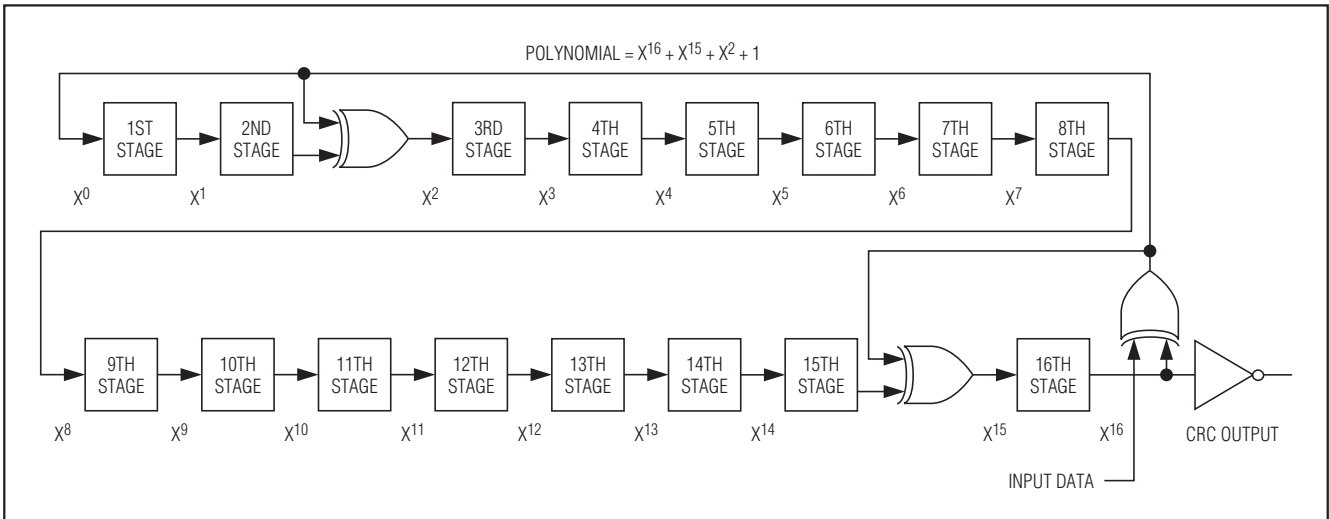


图15. CRC-16的硬件说明和多项式

CRC的生成

DS1923有两种类型的CRC码(循环冗余校验)。一种是8位CRC码,它存储在64位ROM码的最高有效字节。为确定ROM数据是否被无差错地读取,总线主机将根据64位ROM码的前56位计算出CRC的值,并把它和从DS1923里读到的CRC值做比较。该CRC码的等效多项式是 $X^8 + X^5 + X^4 + 1$ 。读取ROM时,接收到的是8位CRC码的原码(未求反的)。CRC校验码已在工厂计算,并刻入ROM内。

另一种CRC码为16位,根据标准的CRC-16多项式 $X^{16} + X^{15} + X^2 + 1$ 生成的。当采用Read Memory with CRC命令读取寄存器页或数据记录存储器时或在写入、读出暂存器需要快速检验传输数据时,可利用该CRC码来进行差错检测。与8位CRC码不同的是,16位CRC码总是以反码的形

式被发送或回读。按照图9所示的命令流程图,DS1923芯片内部的CRC发生器(图15)将计算出一个新的16位CRC码。总线主机将从器件里读出的CRC值同自己根据数据计算出的CRC值相比较,以判断是继续操作还是重读CRC出现错误的部分。对于最初的Read Memory with CRC命令流,对应的16位CRC值由以下步骤生成:先将命令字节移入已清零的CRC发生器,再将2个地址字节和数据字节移入CRC发生器。计算出的CRC值不包括密码在内。对于随后的Read Memory with CRC命令流,所产生的16位CRC码则是清零CRC发生器并移入数据字节的结果。

执行Write Scratchpad命令时,CRC校验码是通过首先清除CRC发生器、然后移入命令代码、目标地址TA1和TA2以及所有数据字节的方式产生的。只有在写入暂存器的数据

带8KB数据记录存储器的 Hygrochron温度/湿度记录器iButton

DS1923

包括暂存器结束偏移地址11111b时，DS1923才传送这个CRC码。数据可以从暂存器内部的任何存储单元开始。执行Read Scratchpad命令时，CRC校验码是通过首先清除CRC发生器、然后移入命令代码、目标地址TA1和TA2、

E/S字节以及从目标地址开始的暂存器数据的方式产生的。只有连续读至暂存器的末尾处，DS1923才传送这个CRC校验码，与实际结束偏移地址无关。有关生成CRC校验码的更多信息，请参考应用笔记27。

1-Wire通信协议的专用命令—符号

SYMBOL	DESCRIPTION
RST	1-Wire reset pulse generated by master.
PD	1-Wire presence pulse generated by slave.
Select	Command and data to satisfy the ROM function protocol.
WS	Command "Write Scratchpad."
RS	Command "Read Scratchpad."
CPS	Command "Copy Scratchpad with Password."
RMC	Command "Read Memory with Password and CRC."
CM	Command "Clear Memory with Password."
FC	Command "Forced Conversion."
SM	Command "Start Mission with Password."
STP	Command "Stop Mission with Password."
TA	Target Address TA1, TA2.
TA-E/S	Target Address TA1, TA2 with E/S byte.
<Data to EOS>	Transfer of as many data bytes as are needed to reach the scratchpad offset 1Fh.
<Data to EOP>	Transfer of as many data bytes as are needed to reach the end of a memory page.
<Data to EOM>	Transfer as many bytes as are needed to reach the end of the data-log memory.
<PW/Dummy>	Transfer of 8 bytes that either represent a valid password or acceptable dummy data.
<32 Bytes>	Transfer of 32 bytes.
<Data>	Transfer of an undetermined amount of data.
FFh	Transmission of one FFh byte.
$\overline{\text{CRC-16}}$	Transfer of an inverted CRC-16.
FF Loop	Indefinite loop where the master reads FF bytes.
AA Loop	Indefinite loop where the master reads AA bytes.

带8KB数据记录存储器的 Hygrochron温度/湿度记录器iButton

1-Wire通信协议的专用命令——颜色编码

Master-to-Slave	Slave-to-Master
-----------------	-----------------

1-Wire通信举例

Write Scratchpad, Reaching the End of the Scratchpad (Cannot Fail)

RST	PD	Select	WS	TA	<Data to EOS>	CRC-16	FF Loop
-----	----	--------	----	----	---------------	--------	---------

Read Scratchpad (Cannot Fail)

RST	PD	Select	RS	TA-E/S	<Data to EOS>	CRC-16	FF Loop
-----	----	--------	----	--------	---------------	--------	---------

Copy Scratchpad with Password (Success)

RST	PD	Select	CPS	TA-E/S	<PW/Dummy>	AA Loop
-----	----	--------	-----	--------	------------	---------

Copy Scratchpad with Password (Fail TA-E/S or Password)

RST	PD	Select	CPS	TA-E/S	<PW/Dummy>	FF Loop
-----	----	--------	-----	--------	------------	---------

Read Memory with Password and CRC (Success)

RST	PD	Select	RMC	TA	<PW/Dummy>	<Data to EOP>	CRC-16
-----	----	--------	-----	----	------------	---------------	--------

<32 Bytes>	CRC-16	FF Loop
------------	--------	---------

Loop

Read Memory with Password and CRC (Fail Password or Address)

RST	PD	Select	RMC	TA	<PW/Dummy>	FF Loop
-----	----	--------	-----	----	------------	---------

Clear Memory with Password

RST	PD	Select	CM	<PW/Dummy>	FFh	FF Loop
-----	----	--------	----	------------	-----	---------

To verify success, read the General Status register at address 0215h. If MEMCLR is 1, the command was executed successfully.

带8KB数据记录存储器的 Hygrochron温度/湿度记录器iButton

1-Wire通信举例(续)

DS1923

Forced Conversion

RST	PD	Select	FC	FFh	FF Loop
-----	----	--------	----	-----	---------

To read the result and to verify success, read the addresses 020Ch to 020Fh (results) and the Device Samples Counter at address 0223h to 0225h. If the count has incremented, the command was executed successfully.

Start Mission with Password

RST	PD	Select	SM	<PW/Dummy>	FFh	FF Loop
-----	----	--------	----	------------	-----	---------

To verify success, read the General Status register at address 0215h. If MIP is 1 and MEMCLR is 0, the command was executed successfully.

Stop Mission with Password

RST	PD	Select	STP	<PW/Dummy>	FFh	FF Loop
-----	----	--------	-----	------------	-----	---------

To verify success, read the General Status register at address 0215h. If MIP is 0, the command was executed successfully.

任务举例：准备和开始一项新任务

假定：前一项任务已经通过执行Stop Mission命令结束。密码验证功能未被激活，从器件是DS1923。

启动一项任务需要经过以下三个步骤：

步骤1：清除上次任务中的数据。

步骤2：将设置数据写入寄存器页1。

步骤3：启动新任务。

步骤1：清除上次任务中的数据。

总线主机上只挂接了一个DS1923时，步骤1的通信过程如下：

MASTER MODE	DATA (LSB FIRST)	COMMENTS
Tx	(Reset)	Reset pulse
Rx	(Presence)	Presence pulse
Tx	CCh	Issue "Skip ROM" command
Tx	96h	Issue "Clear Memory" command
Tx	<8 FFh bytes>	Send dummy password
Tx	FFh	Send dummy byte
Tx	(Reset)	Reset pulse
Rx	(Presence)	Presence pulse

带8KB数据记录存储器的 Hygrochron温度/湿度记录器iButton

步骤2: 将设置数据写入寄存器页1。

在设置过程中, 器件需要知道以下信息:

- 时间和日期
- 采样速率
- 报警阈值

- 报警控制(对Conditional Search ROM做出响应)
- 通用任务参数(如: 记录通道和数据记录格式、是否启动循环功能、任务启动模式)
- 任务启动延迟

如下数据用于设置DS1923温度记录和湿度记录, 均采用8位格式。

ADDRESS	DATA	EXAMPLE VALUES	FUNCTION
0200h	00h	15:30:00 hours	Time
0201h	30h		
0202h	15h		
0203h	15h	15th of May in 2004	Date
0204h	05h		
0205h	04h		
0206h	0Ah	Every 10 minutes (EHSS = 0)	Sample rate
0207h	00h		
0208h	66h	10°C Low	Temperature Alarm Thresholds
0209h	7Ah	20°C High	
020Ah	6Fh	40%RH Low	Humidity Alarm Threshold, no software correction used
020Bh	9Eh	70%RH High	
020Ch	FFh	(Don't care)	Clock through read-only registers
020Dh	FFh		
020Eh	FFh		
020Fh	FFh		
0210h	03h	Enable high and low alarm	Temperature Alarm Control
0211h	FFh	Enable high and low alarm	Humidity Alarm Control
0212h	01h	On (enabled), EHSS = 0 (low sample rate)	RTC Oscillator Control, sample rate selection
0213h	C3h	Normal start; no rollover; 8-bit logging	General Mission Control
0214h	FFh	(Don't care)	Clock through read-only registers
0215h	FFh		
0216h	5Ah	90 minutes	Mission Start Delay
0217h	00h		
0218h	00h		

带8KB数据记录存储器的 Hygrochron温度/湿度记录器iButton

DS1923

总线主机上只挂接了一个DS1923时，步骤2的通信过程如下：

MASTER MODE	DATA (LSB FIRST)	COMMENTS	
Tx	(Reset)	Reset pulse	
Rx	(Presence)	Presence pulse	
Tx	CCh	Issue "Skip ROM" command	
Tx	0Fh	Issue "Write Scratchpad" command	
Tx	00h	TA1, beginning offset = 00h	
Tx	02h	TA2, address = 0200h	
Tx	<25 Data Bytes>	Write 25 bytes of data to scratchpad	
Tx	<7 FFh Bytes>	Write through the end of the scratchpad	
Tx	(Reset)	Reset pulse	
Rx	(Presence)	Presence pulse	
Tx	CCh	Issue "Skip ROM" command	
Tx	AAh	Issue "Read Scratchpad" command	
Rx	00h	Read TA1, beginning offset = 00h	
Rx	02h	Read TA2, address = 0200h	
Rx	1Fh	Read E/S, ending offset = 1Fh, flags = 0h	
Rx	<32 Data Bytes>	Read scratchpad data and verify	
Tx	(Reset)	Reset pulse	
Rx	(Presence)	Presence pulse	
Tx	CCh	Issue "Skip ROM" command	
Tx	99h	Issue "Copy Scratchpad" command	
Tx	00h	TA1	(AUTHORIZATION CODE)
Tx	02h	TA2	
Tx	1Fh	E/S	
Tx	<8 FFh Bytes>	Send dummy password	
Tx	(Reset)	Reset pulse	
Rx	(Presence)	Presence pulse	

步骤3：启动新任务。

如果步骤3成功执行，那么通用状态寄存器中的MIP位为1，MEMCLR位为0，同时任务启动延迟进入倒计时。

总线主机上只挂接了一个DS1923时，步骤3的通信过程如下：

MASTER MODE	DATA (LSB FIRST)	COMMENTS
Tx	(Reset)	Reset pulse
Rx	(Presence)	Presence pulse
Tx	CCh	Issue "Skip ROM" command
Tx	CCh	Issue "Start Mission" command
Tx	<8 FFh Bytes>	Send dummy password
Tx	FFh	Send dummy byte
Tx	(Reset)	Reset pulse
Rx	(Presence)	Presence pulse

带8KB数据记录存储器的 Hygrochron温度/湿度记录器iButton

温度的软件校准算法

通过采用校准算法，可以改进高分辨率温度转换结果(强制转换结果及温度记录结果)的精度。进行软件校准所需的数据存储在校准存储器中(存储器页18)。该存储器页中为两个不同的温度分别存储了参考温度(Tr)和转换结果(Tc)，如下表所示，请参考温度转换部分关于二进制数据格式的描述。

执行软件校准算法需要两个附加参数值，这两个附加参数值未包含在从器件中，对DS1923来说，这两个参数是 $Tr1 = 60^{\circ}\text{C}$ ，偏移量 = 41。

该校准算法分为两步：准备工作和执行。在准备过程中，首先把温度数据从二进制转换成十进制的 $^{\circ}\text{C}$ 格式，接下来计算三个系数A、B和C。在执行过程中，首先将DS1923发送的温度值从低/高字节格式(TcL、TcH)转换成 $^{\circ}\text{C}$ (Tc)格式，并且校准为Tcorr。执行完第一步后，反复使用A、B、C三个系数来校准任一温度读数和同一个器件的温度记录。

ADDRESS	DESIGNATOR	DESCRIPTION
0240h	Tr2H	Cold reference temperature, high-byte.
0241h	Tr2L	Cold reference temperature, low-byte.
0242h	Tc2H	Conversion result at cold reference temperature, high-byte.
0243h	Tc2L	Conversion result at cold reference temperature, low-byte.
0244h	Tr3H	Hot reference temperature, high-byte.
0245h	Tr3L	Hot reference temperature, low-byte.
0246h	Tc3H	Conversion result at hot reference temperature, high-byte.
0247h	Tc3L	Conversion result at hot reference temperature, low-byte.

步骤1: 准备

$Tr1 = 60$

偏移 = 41

$Tr2 = Tr2H/2 + Tr2L/512 - \text{偏移}$ (从二进制转换成十进制 $^{\circ}\text{C}$ 格式)

$Tr3 = Tr3H/2 + Tr3L/512 - \text{偏移}$ (从二进制转换成十进制 $^{\circ}\text{C}$ 格式)

$Tc2 = Tc2H/2 + Tc2L/512 - \text{偏移}$ (从二进制转换成十进制 $^{\circ}\text{C}$ 格式)

$Tc3 = Tc3H/2 + Tc3L/512 - \text{偏移}$ (从二进制转换成十进制 $^{\circ}\text{C}$ 格式)

$Err2 = Tc2 - Tr2$

$Err3 = Tc3 - Tr3$

$Err1 = Err2$

$B = (Tr2^2 - Tr1^2) \times (Err3 - Err1) / [(Tr2^2 - Tr1^2) \times (Tr3 - Tr1) + (Tr3^2 - Tr1^2) \times (Tr1 - Tr2)]$

$A = B \times (Tr1 - Tr2) / (Tr2^2 - Tr1^2)$

$C = Err1 - A \times Tr1^2 - B \times Tr1$

步骤2: 执行

$Tc = TcH/2 + TcL/512 - \text{偏移}$ (从二进制转换成十进制 $^{\circ}\text{C}$ 格式)

$Tcorr = Tc - (A \times Tc^2 + B \times Tc + C)$ (修正值)

带8KB数据记录存储器的 Hygrochron温度/湿度记录器iButton

数字温度校准举例

DS1923

CONVERTED DATA FROM CALIBRATION MEMORY	ERROR VALUES
Tr2 = -10.1297°C Tr3 = 24.6483°C Tc2 = -10.0625°C Tc3 = 24.5°C	Err2 = 0.0672°C Err3 = -0.1483°C Err1 = Err2
RESULTING CORRECTION COEFFICIENTS	APPLICATION OF CORRECTION COEFFICIENTS TO SAMPLE READING
B = -0.008741 A = 0.000175/°C C = -0.039332°C	Tc = 22.500000°C Tcorr = 22.647275°C

注：软件校准需要采用浮点运算(24位或更长)。从各类网站或交叉编译器中可以得到适用于微控制器的计算函数库。

湿度的软件校准算法

通过采用校准算法，可以改进湿度转换结果(强制转换结果及湿度记录结果)的精度。进行软件校准所需的数据存储在校准存储器中(存储器页18)。该存储器页中为三个不同的湿度点存储了参考湿度(Hr)和转换结果(Hc)，如下表所示。以下数据均在25°C下获得。

该校准算法分为两步：准备工作和执行。在准备过程中，首先把湿度值从二进制转换成十进制的%RH格式，接下来计算三个系数A、B和C。在执行过程中，首先将DS1923发送的湿度值(原始数据)从低/高字节(HcL、HcH)转换成%RH (Hc)格式，并且校准为Hcorr。执行完第一步后，反复使用A、B、C三个系数来校准任一个湿度读数和一个器件的湿度记录。

ADDRESS	DESIGNATOR	DESCRIPTION
0248h	Hr1H	Low reference humidity, high byte.
0249h	Hr1L	Low reference humidity, low byte.
024Ah	Hc1H	Conversion result at low reference humidity, high byte.
024Bh	Hc1L	Conversion result at low reference humidity, low byte.
024Ch	Hr2H	Medium reference humidity, high byte.
024Dh	Hr2L	Medium reference humidity, low byte.
024Eh	Hc2H	Conversion result at medium reference humidity, high byte.
024Fh	Hc2L	Conversion result at medium reference humidity, low byte.
0250h	Hr3H	High reference humidity, high byte.
0251h	Hr3L	High reference humidity, low byte.
0252h	Hc3H	Conversion result at high reference humidity, high byte.
0253h	Hc3L	Conversion result at high reference humidity, low byte.

带8KB数据记录存储器的 Hygrochron温度/湿度记录器iButton

步骤1: 准备

对于存放在校准存储器里的湿度值来说, 应将其每一个低字节的四个低位设置为0。这样可将数据从二进制格式向原始%RH值的转换简化为一个等式。

$$Hr1 = ((Hr1H \times 256 + Hr1L) \times 5.02/65536 - 0.958)/0.0307 \quad (\text{从二进制转换成\%RH})$$

$$Hr2 = ((Hr2H \times 256 + Hr2L) \times 5.02/65536 - 0.958)/0.0307$$

$$Hr3 = ((Hr3H \times 256 + Hr3L) \times 5.02/65536 - 0.958)/0.0307$$

$$Hc1 = ((Hc1H \times 256 + Hc1L) \times 5.02/65536 - 0.958)/0.0307$$

$$Hc2 = ((Hc2H \times 256 + Hc2L) \times 5.02/65536 - 0.958)/0.0307$$

$$Hc3 = ((Hc3H \times 256 + Hc3L) \times 5.02/65536 - 0.958)/0.0307$$

$$Err1 = Hc1 - Hr1$$

$$Err2 = Hc2 - Hr2$$

$$Err3 = Hc3 - Hr3$$

$$B = [(Hr2^2 - Hr1^2) \times (Err3 - Err1) + Hr3^2 \times (Err1 - Err2) + Hr1^2 \times (Err2 - Err1)] / [(Hr2^2 - Hr1^2) \times (Hr3 - Hr1) + (Hr3^2 - Hr1^2) \times (Hr1 - Hr2)]$$

$$A = [Err2 - Err1 + B \times (Hr1 - Hr2)] / (Hr2^2 - Hr1^2)$$

$$C = Err1 - A \times Hr1^2 - B \times Hr1$$

步骤2: 执行

$$Hc = ((HcH \times 256 + HcL) \times 5.02/65536 - 0.958)/0.0307 \quad (\text{从二进制转换成\%RH})$$

$$Hcorr = Hc - (A \times Hc^2 + B \times Hc + C) \quad (\text{实际校准})$$

数字湿度校准举例

CONVERTED DATA FROM CALIBRATION MEMORY	ERROR VALUES
Hr1 = 20%RH Hr2 = 60%RH Hr3 = 90%RH Hc1 = 17.65%RH Hc2 = 56.41%RH Hc3 = 89.57%RH	Err1 = -2.35%RH Err2 = -3.59%RH Err3 = -0.43%RH
RESULTING CORRECTION COEFFICIENTS	APPLICATION OF CORRECTION COEFFICIENTS TO SAMPLE READING
B = -0.186810 A = 0.001948%RH C = 0.607143%RH	Hc = 8.9%RH Hcorr = 9.8%RH

注: 软件校准需要采用浮点运算(24位或更多)。从各类网站或交叉编译器中可以得到适用于微控制器的计算函数库。

带8KB数据记录存储器的 Hygrochron温度/湿度记录器iButton

RH温度补偿

对湿度值进行软件校准的数据都是在25°C条件下获得的。由于我们知道湿度传感器的温度特性，因此倘若进行湿度转换时的温度已知，就可以校准其它温度下的湿度值，因此，为获得最高精度的湿度值，应同时记录温度和湿度数据。

温度补偿公式如下：

$$HT_{\text{corr}} = (H_{\text{corr}} \times K + \alpha \times (T - 25^\circ\text{C}) - \beta \times (T - 25^\circ\text{C})^2) / (K + \gamma \times (T - 25^\circ\text{C}) - \delta \times (T - 25^\circ\text{C})^2)$$

如前所述：Hcorr是通过软件校准算法得到的湿度值，下表中介绍了其它参数的功能和参数值。

NAME	FUNCTION	VALUE
T	Temperature at the time of humidity conversion.	(in °C)
K	Humidity sensor conversion constant.	0.0307
α	Linear compensation, enumerator.	0.0035/°C
β	Quadratic compensation, enumerator.	0.000043/°C ²
γ	Linear compensation, denominator.	>15°C: 0.00001/°C ≤ 15°C: -0.00005/°C
δ	Quadratic compensation, denominator.	0.000002/°C ²

数字RH温度补偿举例

SAMPLE INPUT DATA	APPLICATION OF CORRECTION COEFFICIENTS TO SAMPLE READING
T = 70°C Hcorr = 24.445%RH	$\gamma = 0.00001/^\circ\text{C}$ $HT_{\text{corr}} = (24.445 \times 0.0307 + 0.0035 \times 45 - 0.000043 \times 45^2) / (0.0307 + 0.00001 \times 45 - 0.000002 \times 45^2)$ HTcorr = 30.291%

软件饱和和漂移补偿

如果将器件长时间暴露于湿度较高的环境中，容性湿度传感器所采集到的湿度值会比实际值大。当外界湿度为70%RH或更高时，DS1923的湿度传感器所采集到的湿度值就比实际值高了，并且当器件始终处于湿度大于或等于70%RH的环境中时，这一湿度漂移还将持续增加。这种现象叫饱和和漂移，有时也叫做滞回，并且是可逆的。当DS1923离开湿度较高的环境时，传感器读数将恢复正常。

利用以下公式，可对温度和湿度数据进行后期处理，尽可能补偿饱和和漂移所引起的绝大多数误差，该公式是在实验和曲线拟合技术的基础上得出的。

$$H_{\text{Scorr}} = HT_{\text{corr}} - \sum_{k=1}^N \frac{0.0156 \times ARH_k \times 2.54^{-0.3502 \times k}}{1 + (T_k - 25)/100}$$

ARH_k 器件暴露在湿度大于等于70%RH环境中第k个小时后，湿度值经软件校准和温度补偿后的平均值。

T_k 器件暴露在湿度大于等于70%RH环境中第k个小时后，温度值经软件校准后的平均值。

N 器件连续暴露在70%RH或更高湿度下的小时数。

HTcorr 第N个小时后，对湿度值进行软件校准和温度补偿后的湿度读数，详细内容请参考湿度的软件校准算法和RH温度补偿。

公式中的数据是从曲线拟合中得出的。它们适合于时间单位为小时的应用。

带8KB数据记录存储器的 Hygrochron温度/湿度记录器iButton

数字饱和漂移补偿举例

SAMPLE INPUT DATA (N = 8)			APPLICATION OF CORRECTION ALGORITHM
k (HOUR)	T _k (°C)	ARH _k (%RH)	PARTIAL CORRECTIONS (INDIVIDUAL ADDENDS)
1	25.1	91.1	1.024321
2	25.0	92.5	0.751140
3	24.9	92.9	0.544824
4	25.0	93.1	0.393535
5	25.1	93.2	0.283950
6	25.1	93.3	0.205086
7	25.0	93.6	0.148591
8	24.9	93.7	0.107428
HT _{corr} = 93.70207%RH			Sum of partial corrections: 3.458875

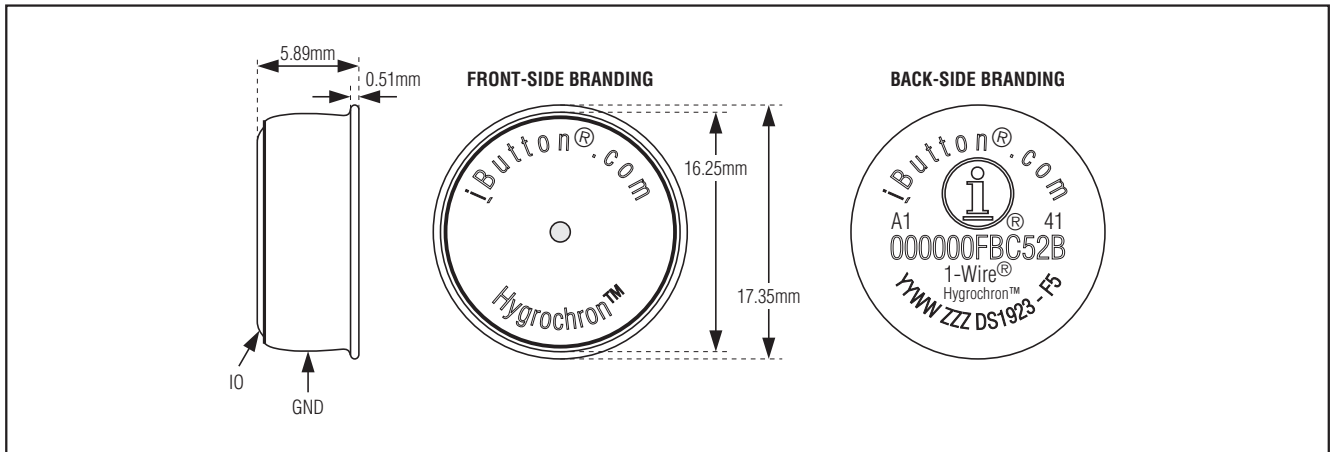
$$\begin{aligned} \text{HScorr} &= \text{HT}_{\text{corr}} - \text{局部校准之和} \\ &= 93.70207\%RH - 3.458875\%RH \end{aligned}$$

$$\text{HScorr} = 90.24319\%RH$$

上述实例中的数据是将器件置于温度为25°C，湿度为90%RH

的测试室中数小时后测得的。若将器件置于湿度较高的环境中，时间越长，则漂移量会缩短，用校准算法来对付这种漂移是非常见效的。由于饱和漂移所产生的误差相当小，所以在某些应用中没必要进行补偿。

引脚配置



封装信息

如需最近的封装外形信息和焊盘布局，请查询 china.maxim-ic.com/packages。

封装类型	封装编码	文档编号
F5 iButton	IB-6HB	21-0266

带8KB数据记录存储器的 Hygrochron温度/湿度记录器iButton

修订历史

DS1923

修订次数	修订日期	说明	修改页
0	8/04	最初版本。	—
1	12/07	<p>将资料中“带有防水层，能使传感器免受灰尘、污垢、水、污染的影响”改为“带有防水层，能使传感器免受灰尘、污垢、污染的影响并可在较短的时间内浸入水中或处于水气严重的环境中”。</p> <p>从UL条目和安全声明中删除“正在申请”。</p> <p>在应用部分加入内容：注意DS1923的最初密封等级相当于IP56。长时间的老化和使用条件可降低密封的完整性，因此如果暴露在液体、喷雾或其它相似的环境应用，推荐将Hygrochron安装在一个防护罩中进行保护(见china.maxim-ic.com/AN4126)。防护装置并不能够保证在完全侵入液体的情况下保护DS1923免受损坏。</p>	1, 4, 10
2	4/09	创建新模版数据资料。	所有页
3	10/09	删除了订购信息表中的标准器件型号。	1

Maxim北京办事处

北京 8328信箱 邮政编码 100083

免费电话：800 810 0310

电话：010-6211 5199

传真：010-6211 5299

Maxim不对Maxim产品以外的任何电路使用负责，也不提供其专利许可。Maxim保留在任何时间、没有任何通报的前提下修改产品资料和规格的权利。

Maxim Integrated Products, 120 San Gabriel Drive, Sunnyvale, CA 94086 408-737-7600 _____ 55