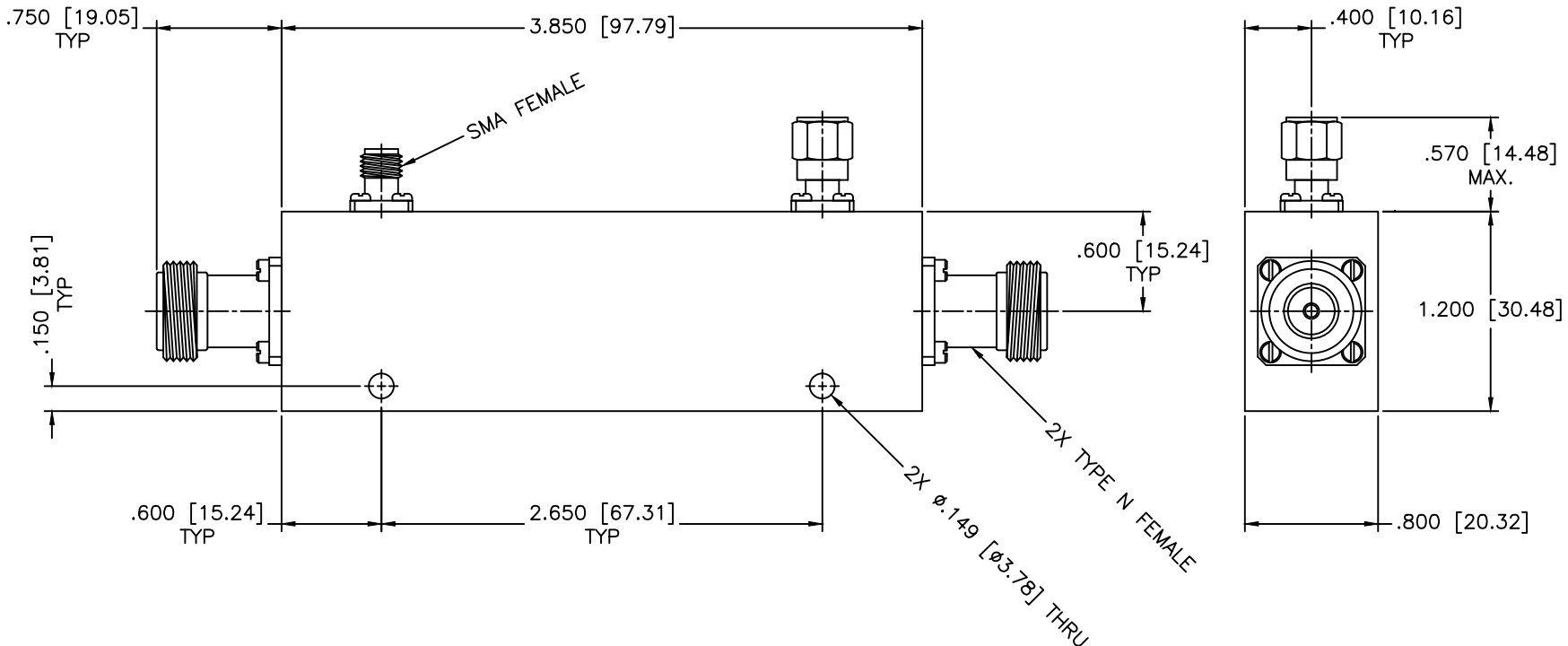


| REVISIONS | | | | |
|-----------|-----|-------------|------|----------|
| ZONE | REV | DESCRIPTION | DATE | APPROVED |
| | | | | |



SPECIFICATIONS

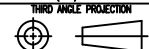
- Frequency Range: 4–6 GHz
- Coupling: X±1.70dB
- Insertion Loss: 0.25dB Max.
- Frequency Sensitivity: ±0.50 dB
- VSWR: 1.25:1 Max.
- Directivity: 18dB Min.
- Power Handling: 400 Watts CW

| | | | | | | |
|---|--|------------|--|--------------------------------|--------|-----|
| MATERIAL: | | | MICROWAVE COMMUNICATIONS LABORATORIES INC. 7255 30TH AVE. N. SAINT PETERSBURG, FL 33710 TEL: (727) 344-6254 FAX: (727) 381-6116 http://WWW.MCLI.COM | | SCALE: | N/A |
| UNLESS OTHERWISE SPECIFIED: TOLERANCES IN (INCHES) OR [mm] (MILLIMETERS) FRACTIONS: ± 1/64 DECIMALS: ±.01 ±.005 ANGLE: ±1/2° | | | DRAWING TITLE: | | SHEET: | |
| DRAWN: | | PART NO. | | HIGH POWER DIRECTIONAL COUPLER | | |
| DATE: | | CAGE CODE: | | HC-16-X | | |
| APPROVED: | | SIZE: | | DO NOT SCALE THE DRAWING | | |
| DATE: | | REV: | | DWG NO. | | |
| T. Nguyen | | A | | 82745 | | |
| 11-16-1997 | | N/A | | | | |
| | | OD2L5 | | | | |



UNLESS OTHERWISE SPECIFIED:
TOLERANCES
IN (INCHES) OR [mm] (MILLIMETERS)
FRACTIONS: ± 1/64
DECIMALS: ±.01 ±.005
ANGLE: ±1/2°

PROPRIETARY NOTICE:
THE INFORMATION IN THIS DRAWING IS PROPRIETARY
AND SHALL NOT BE USED OR DISCLOSED WITHOUT WRITTEN
PERMISSION FROM MICROWAVE COMMUNICATIONS
LABORATORIES INC. (MCLI)



DRAWING TITLE:
HIGH POWER DIRECTIONAL COUPLER

PART NO.
HC-16-X

CAGE CODE: OD2L5
SIZE: A
REV: N/A
DWG NO.: 82745