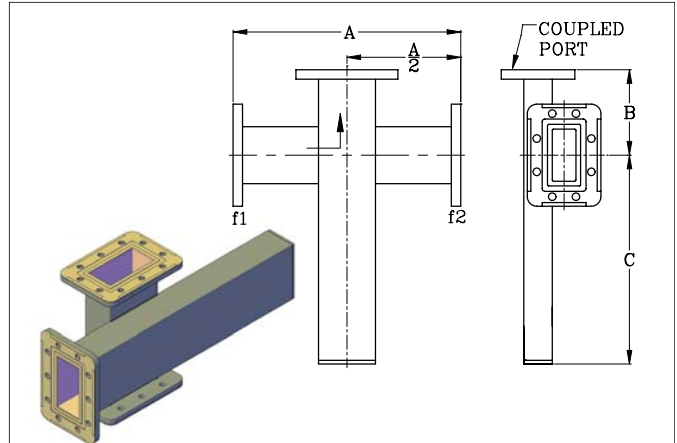
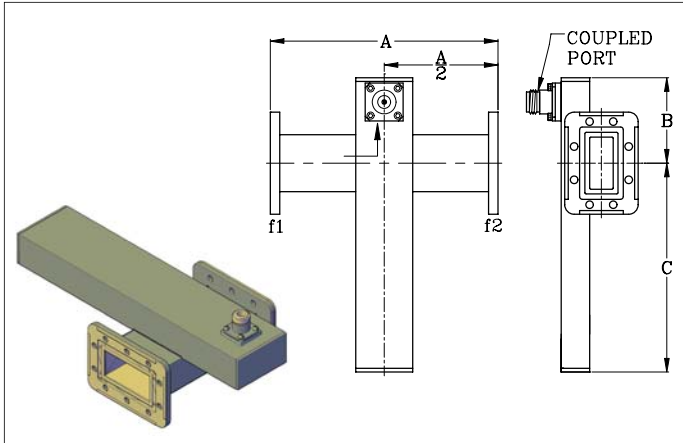


Rectangular Waveguide Cross Guide Couplers



Model	WR #	Frequency (GHz)	A	B	C
DCG28-	28	26.50 - 40.00	2.00	1.00	2.50
DCG34-	34	22.00 - 33.00	2.00	1.00	2.50
DCG42-	42	18.00 - 26.50	2.00	1.25	3.00
DCG51-	51	15.00 - 22.00	3.00	1.25	3.00
DCG62-	62	12.40 - 18.00	3.25	1.50	3.00
DCG75-	75	10.00 - 15.00	3.50	1.50	3.00
DCG90-	90	8.20 - 12.40	4.00	2.00	4.00

Model	WR #	Frequency (GHz)	A	B	C
DCG102-	102	7.00 - 11.00	4.00	2.00	4.00
DCG112-	112	7.05 - 10.00	4.00	2.00	4.50
DCG137-	137	5.85 - 8.20	4.25	3.00	4.50
DCG159-	159	4.90 - 7.05	5.00	3.00	5.50
DCG187-	187	3.95 - 5.85	5.00	3.50	6.50
DCG229-	229	3.30 - 4.90	5.50	4.00	7.00
DCG284-	284	2.60 - 3.95	6.00	6.00	7.50

Space Machine custom fabricates a standard product line of cross guide couplers covering waveguide sizes WR28 thru WR284. Coupling variation is typically ± 1 dB over the full waveguide band. Directivity is 20dB minimum. Additional sizes and configurations are available upon request.

Ordering Information:

Cross Guide Coupler, WR137, Bronze, Example part number:
30dB Coupling, Type N Female Coupled Port,
CPRF / CPRG Flanges, Chromated, Paint Space Machine Gray.

DCG **wr** **-m** **c** **cp** **-f1 f2** **-p f**
DCG 137 -B 30 NF -05 04 -C P

Series (DCG):

Waveguide Size (wr): WR28 thru WR284

Material (-m): A – Aluminum, B – Bronze, O – Other

Coupling (c): 20 - 60 dB

Coupled Port (cp): Connector – See [Appendix E](#)
Flange – See [Appendix G](#)

Flange (-f1 f2): See [Appendix G](#)

Plating (-p): C – Chromate, S – Silver, G – Gold, O – Other, N – None

Finish (f): P – Paint Space Machine Gray, N – None, O – Other