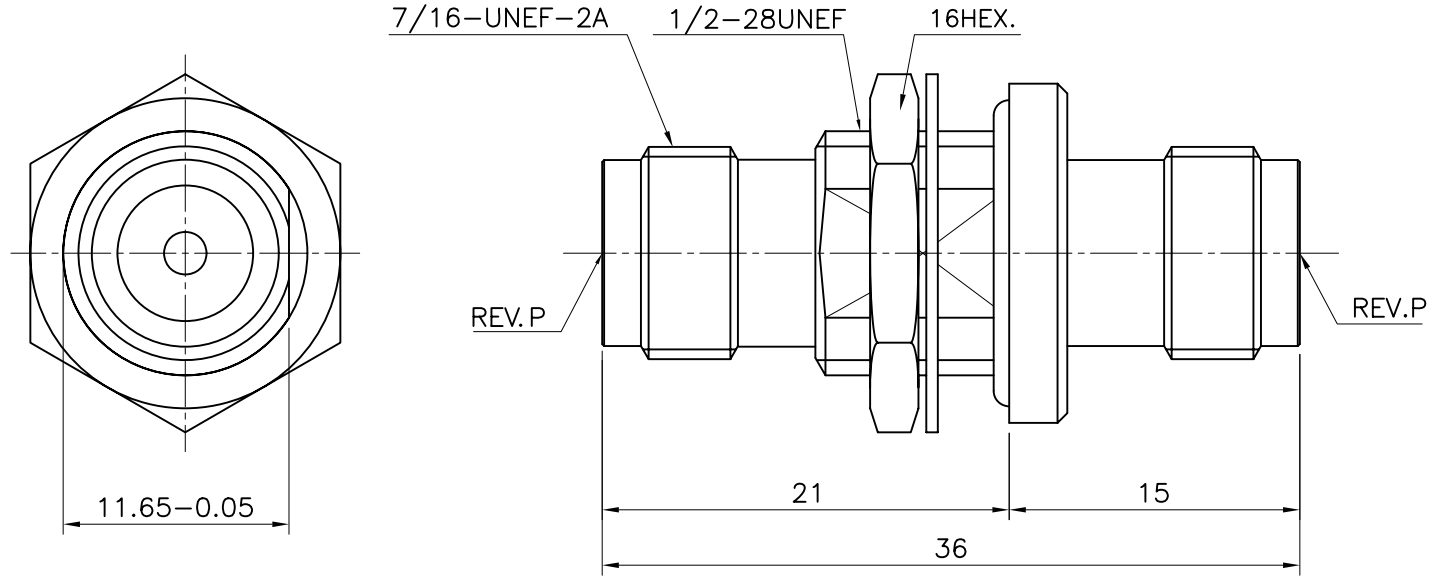


4	No.	Revision	Date	Name
	△			
	△			



TNC-Bulkhead JACK to JACK  
BOSE REVERSE POLARITY Adaptor

Item	Materials	Plating
Body	Brass	Nickel Plated
Center contact	Be-Cu	Gold Plated
Insulator	PTFE	-

**CUSTOMER**

NO.	DESCRIPTION	Q'TY	MATERIAL	FINISH	REMARKS.
PARTS No.	1T-804-36RP		NAME	TNC-B/H-JJ/R.P Adap.	APPROVED
MATERIAL	FINISH	TOLERANCES OTHERWISE SPEC. ±0.05		ANGLES ±1°	CHECKED
SCALE		UNIT	mm		DESIGNED
DWG NO.		1T-804-36RP			S.J.LEE
Cross RF web: www.crossrf.com				DATE.	15/DEC/2008