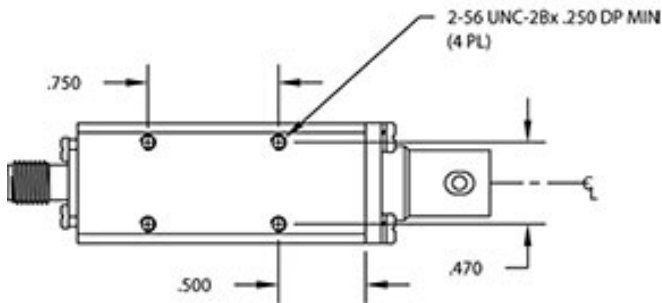
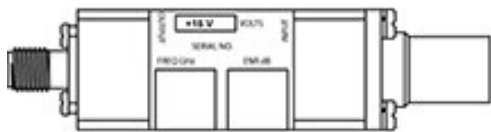
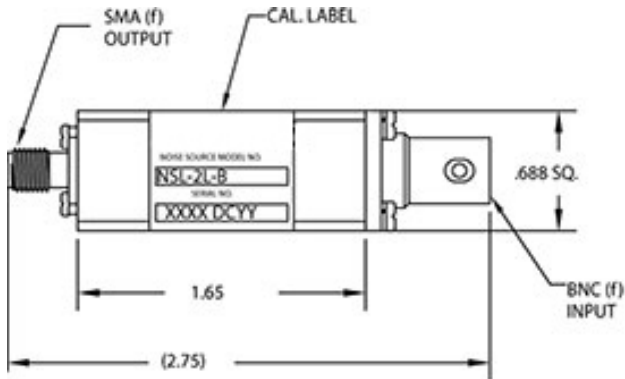


SPEC SHEET

# NSL-2L-B

## 1 MHz to 1000 MHz

Broadband Microwave Coaxial Noise Sources



### Specifications

RF Frequency	1 MHz to 1000 MHz
Noise Output	14 - 16 dB ENR
Noise Spectral Density ( $N_0$ )	-159 dBm/Hz
VSWR	1.3:1
Peak Factor	5:01
Bias Voltage	15 V
Supply Current	25 mA Max
Impedance	50 ohms

### Package and Connectivity

Construction	Coaxial
Connector Type	SMA(F)

### Environmental

Operating Temperature	-55 to 95 °C
Storage Temperature	-65 to 125 °C

### Notes



MERCURY COMMERCIAL ELECTRONICS

Microwave RF Components | Hudson, NH | (603) 546-4100 | [rf.mrcy.com](http://rf.mrcy.com)  
 Specifications subject to change without notice