



TNC Female Bulkhead Mount Connector Crimp/Solder
Attachment for RG316/U, RG174A/U, RG188 IP 67 Rated

TECHNICAL DATA SHEET

PE44899

Configuration

Connector	TNC Female
Connector Specification	MIL-STD-348
Connector Interface Type	RG316/U, RG174A/U, RG188
Attachment Method (Shield/Contact)	Crimp/Solder
Body Style	Straight
Mount Method	Bulkhead

Electrical Specifications

Frequency Range	DC to 3 GHz
Impedance	50 Ohms
Maximum VSWR	1.25:1

Mechanical Specifications

Temperature

Operating Range	-40 to +85 deg C
-----------------	------------------

Size

Length	1.36 in [34.54 mm]
Width/Dia.	0.68 in [17.27 mm]

Connector

Type	TNC Female
Contact Material and Plating	Phosphor Bronze, Gold
Hex Size	5/8 in
Body Material and Plating	Brass, Nickel
Dielectric Type	PTFE

Compliance Certifications (visit www.Pasternack.com for current document)

RoHS Compliant

Click the following link (or enter part number in "SEARCH" on website) to obtain additional part information including price, inventory and certifications: [TNC Female Bulkhead Mount Connector Crimp/Solder Attachment for RG316/U, RG174A/U, RG188 IP 67 Rated PE44899](#)



TNC Female Bulkhead Mount Connector Crimp/Solder Attachment for RG316/U, RG174A/U, RG188 IP 67 Rated

TECHNICAL DATA SHEET

PE44899

Plotted and Other Data

Notes:

- Values at +25 °C, sea level

TNC Female Bulkhead Mount Connector Crimp/Solder Attachment for RG316/U, RG174A/U, RG188 IP 67 Rated from Pasternack Enterprises has same day shipment for domestic and International orders. Our RF, microwave and millimeter wave products maintain a 99% availability and are part of the broadest selection in the industry.

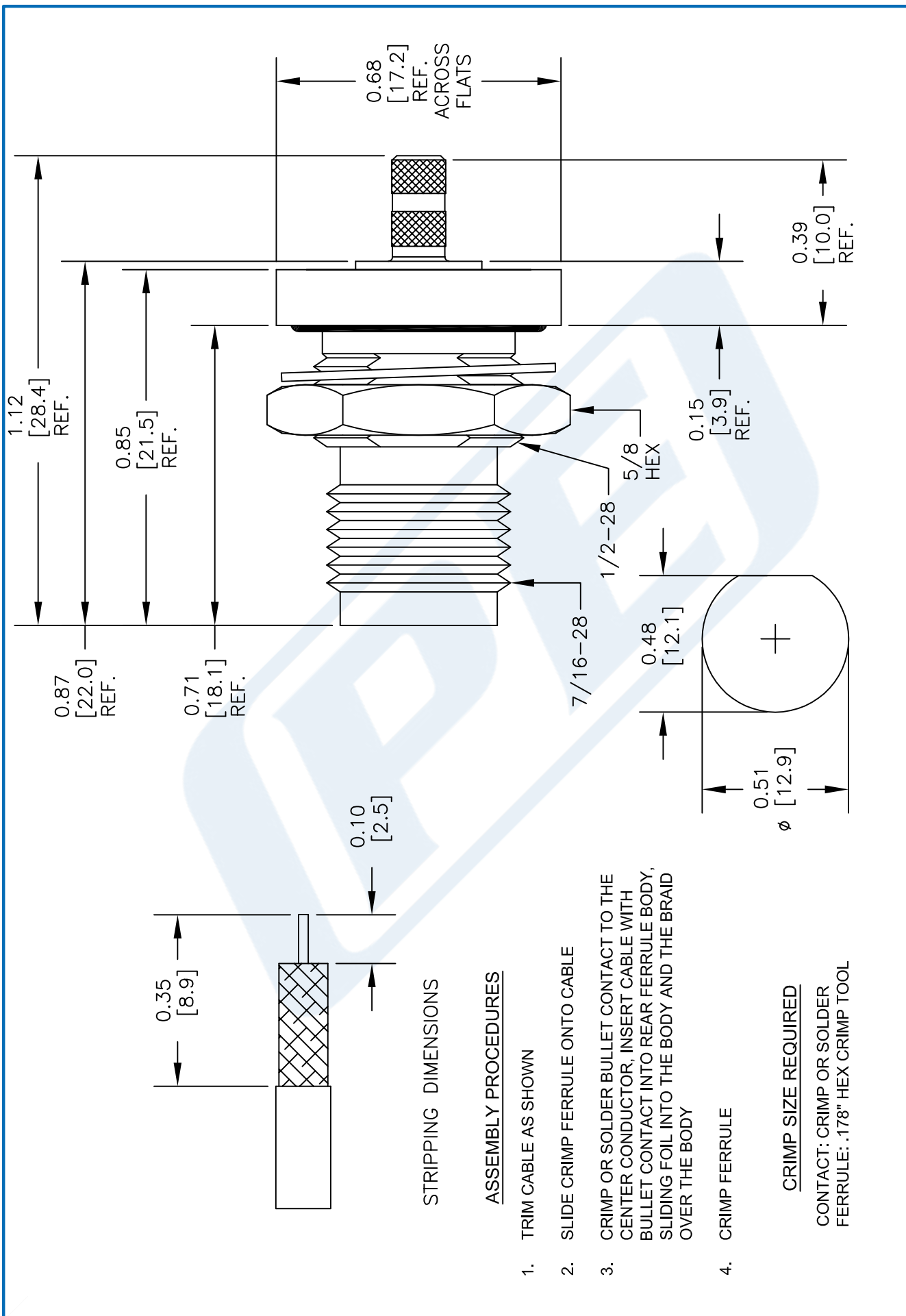
Click the following link (or enter part number in "SEARCH" on website) to obtain additional part information including price, inventory and certifications: [TNC Female Bulkhead Mount Connector Crimp/Solder Attachment for RG316/U, RG174A/U, RG188 IP 67 Rated PE44899](http://www.pasternack.com/tnc-female-standard-rg316-u-rg174a-u-rg188-connector-pe44899-p.aspx)

URL: <http://www.pasternack.com/tnc-female-standard-rg316-u-rg174a-u-rg188-connector-pe44899-p.aspx>

The information contained in this document is accurate to the best of our knowledge and representative of the part described herein. It may be necessary to make modifications to the part and/or the documentation of the part, in order to implement improvements. Pasternack reserves the right to make such changes as required. Unless otherwise stated, all specifications are nominal. Pasternack does not make any representation or warranty regarding the suitability of the part described herein for any particular purpose, and Pasternack does not assume any liability arising out of the use of any part or documentation.

PE44899 CAD Drawing

TNC Female Bulkhead Mount Connector Crimp/Solder Attachment
for RG316/U, RG174A/U, RG188 IP 67 Rated



DWG TITLE

PE44899

NOTES:
1. UNLESS OTHERWISE SPECIFIED ALL DIMENSIONS ARE NOMINAL.
2. ALL SPECIFICATIONS ARE SUBJECT TO CHANGE WITHOUT NOTICE AT ANY TIME.
3. DIMENSIONS ARE IN INCHES [mm].

FSCM NO. 53919

CAD FILE 080714

SCALE N/A

SIZE A

150



Pasternack Enterprises, Inc.
P.O. Box 16759 | Irvine | CA | 92623
Phone: (949) 261-1920 | Fax: (949) 261-7451
Website: www.pasternack.com | E-Mail: sales@pasternack.com