



SMB Plug Connector Clamp/Solder  
Attachment For RG178, RG196

TECHNICAL DATA SHEET

PE4250

**Configuration**

Connector	SMB Plug
Connector Specification	MIL-STD-348A
Connector Interface Type	RG178, RG196
Attachment Method (Shield/Contact)	Clamp/Solder
Body Style	Straight

**Electrical Specifications**

Frequency Range	DC to 3 GHz
Impedance	50 Ohms
Maximum VSWR	1.42:1
Maximum Operating Voltage	250 Volts

**Mechanical Specifications**

**Temperature**

Operating Range	-65 to +165 deg C
-----------------	-------------------

**Size**

Length	0.73 in [18.54 mm]
Width/Dia.	0.25 in [6.35 mm]
Weight	0.006 lbs [2.72 g]

**Connector**

Type	SMB Plug
Contact Material and Plating	Beryllium Copper, Gold
Contact Plating Specification	30µ in. minimum
Coupling Nut Material and Plating	Brass, Nickel
Coupling Nut Plating Specification	100µ in. minimum
Body Material and Plating	Brass, Nickel
Body Plating Specification	100µ in. minimum
Dielectric Type	Teflon

**Compliance Certifications** (visit [www.Pasternack.com](http://www.Pasternack.com) for current document)

RoHS Compliant	
REACH Compliant	6/18/2012

Click the following link (or enter part number in "SEARCH" on website) to obtain additional part information including price, inventory and certifications: [SMB Plug Connector Clamp/Solder Attachment For RG178, RG196 PE4250](#)



## SMB Plug Connector Clamp/Solder Attachment For RG178, RG196

### TECHNICAL DATA SHEET

PE4250

#### Plotted and Other Data

Notes:

- Values at +25 °C, sea level

SMB Plug Connector Clamp/Solder Attachment For RG178, RG196 from Pasternack Enterprises has same day shipment for domestic and International orders. Our RF, microwave and millimeter wave products maintain a 99% availability and are part of the broadest selection in the industry.

Click the following link (or enter part number in "SEARCH" on website) to obtain additional part information including price, inventory and certifications: [SMB Plug Connector Clamp/Solder Attachment For RG178, RG196 PE4250](#)

URL: <http://www.pasternack.com/smb-plug-standard-rg178-rg196-connector-pe4250-p.aspx>

The information contained in this document is accurate to the best of our knowledge and representative of the part described herein. It may be necessary to make modifications to the part and/or the documentation of the part, in order to implement improvements. Pasternack reserves the right to make such changes as required. Unless otherwise stated, all specifications are nominal. Pasternack does not make any representation or warranty regarding the suitability of the part described herein for any particular purpose, and Pasternack does not assume any liability arising out of the use of any part or documentation.

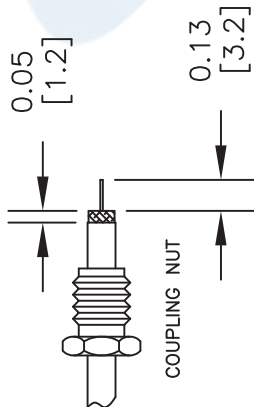
# PE4250 CAD Drawing

SMB Plug Connector Clamp/Solder Attachment For RG178, RG196

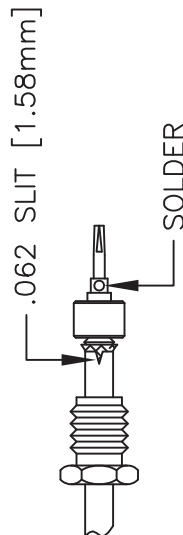


## ASSEMBLY PROCEDURES

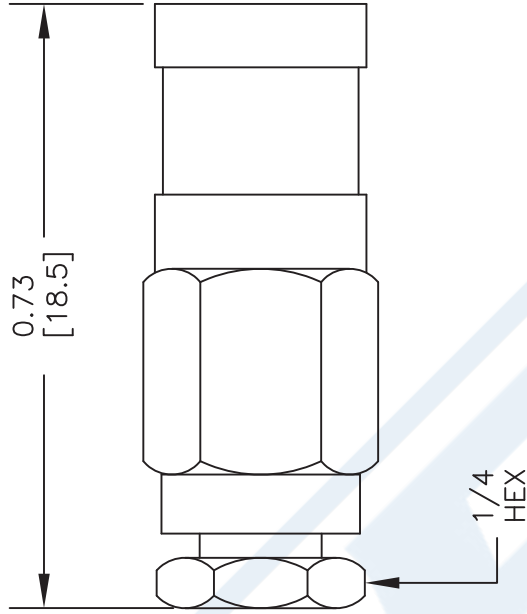
1. SLIDE CLAMP NUT OVER CABLE. STRIP CABLE AS SHOWN, DO NOT NICK CENTER CONDUCTOR. ROTATE DIELECTRIC TO FLARE BRAID.



2. SLIDE CLAMP/CONTACT ASSEMBLY OVER DIELECTRIC AND UNDER BRAID UNTIL IT STOPS AND CENTER CONDUCTOR IS VISIBLE IN THE CONTACT SIDE HOLE. JACKET MAY BE SLIT TO HELP THE ENTRY OF CLAMP, IF REQUIRED. SOLDER CONTACT TO CENTER CONDUCTOR.



3. INSERT CABLE ASSEMBLY INTO BODY & TIGHTEN.



DWG TITLE

**PE4250**

NOTES:  
 1. UNLESS OTHERWISE SPECIFIED ALL DIMENSIONS ARE NOMINAL.  
 2. ALL SPECIFICATIONS ARE SUBJECT TO CHANGE WITHOUT NOTICE AT ANY TIME.  
 3. DIMENSIONS ARE IN INCHES [mm].  
 4. FITS MIL-C-17 AND EQUIVALENT CABLES.

**PE PASTERNAK®**  
 Pasternack Enterprises, Inc.  
 P.O. Box 16759 | Irvine | CA | 92623  
 Phone: (949) 261-1920 | Fax: (949) 261-7451  
 Website: www.pasternack.com | E-Mail: sales@pasternack.com

REV. B FSCM NO. 53919

CAD FILE 120911

SCALE N/A

SIZE A

2233