

ATTENUATORS SMA

UP TO 18 GHz
25 WATTS



MODELS: XXB25WR-XX, XXB25WR-XXF & XXB25WR-XXM

SPECIFICATIONS:

Electrical:

Frequency Range _____ DC - 18.0 GHz
 Standard Freq. Values _____ 2.5, 6, 12.4 & 18 GHz
 Standard dB Values* _____ 0, 3, 6, 10, 20, 30 & 40 dB
 Attenuation Accuracy DC - 6 GHz 6 - 12.4 GHz 12.4 - 18 GHz
 3 - 6 dB _____ ±0.30 dB _____ ±0.50 dB _____ ±0.75 dB
 7 - 20 dB _____ ±0.50 dB _____ ±0.75 dB _____ ±1.00 dB
 21 - 30 dB _____ ±0.75 dB _____ ±1.00 dB _____ ±1.25 dB
 31 - 40 dB _____ ±1.00 dB _____ ±1.25 dB _____ ±1.50 dB

VSWR

DC - 6 GHz _____ 1.20:1 Max.
 6 - 12.4 GHz _____ 1.30:1 Max.
 12.4 - 18 GHz _____ 1.40:1 Max.

Input Power _____ 25 Watts Avg. @ 25°C
DERATED LINEARLY TO 5 WATTS @ +125°C

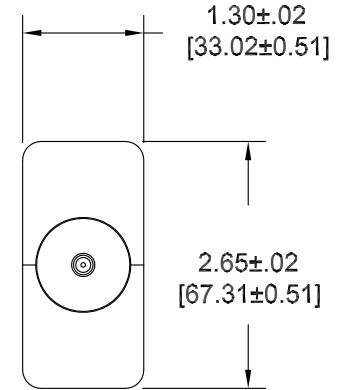
Peak Power _____ 500 Watts Max.
(5µSec Pulse, .05% Duty Cycle)

Impedance _____ 50 Ohms

Operating Temp Range _____ -65°C to +125°C

Mechanical:

SMA Connectors _____ Passivated Stainless Steel
Mates with MIL-STD-348
 Conductors _____ Gold Plated Beryllium Copper
 Housing _____ Anodized Aluminum

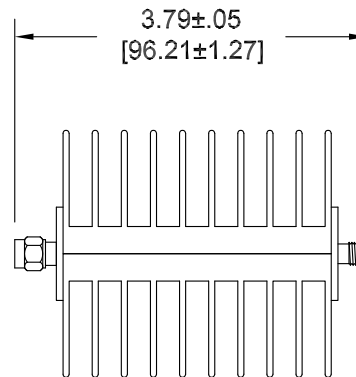


END VIEW
TYPICAL

Units must be Mounted in such a way as to Allow for Free Air Flow Around fins as to Assure Performance.

Model Number: **XXB25WR-XX**

Male/Female Connectors
 Length: 3.79 ±.05 [96.3 ±1.3]
 Pictured



Model Number: **XXB25WR-XXF**

Female/Female Connectors
 Length: 3.66 ±.05 [93.0 ±1.3]

Model Number: **XXB25WR-XXM**

Male/Male Connectors
 Length: 3.92 ±.05 [99.6±1.3]

HOW TO ORDER:

Model Number: **XXB25WR-XXY**

dB Value
 Connector Configuration

Freq. Range
 2 = DC - 2.5 GHz
 6 = DC - 6 GHz
 12 = DC - 12.4 GHz
 18 = DC - 18 GHz

= Male/Female
 F = Fem/Fem
 M = Male/Male

Ordering Examples:

Model Number: **18B25WR-20**
 DC - 18 GHz; 20 dB; Male/Fem

Model Number: **6B25WR-03F**
 DC - 6 GHz; 3 dB; Fem/Fem

Note: Dimensions in Brackets are Expressed in Millimeters and are for Reference Only.

Design specifications are subject to change without notice.

Contact factory for technical specifications before purchasing or use.

XXB25WR-ATT; REV A