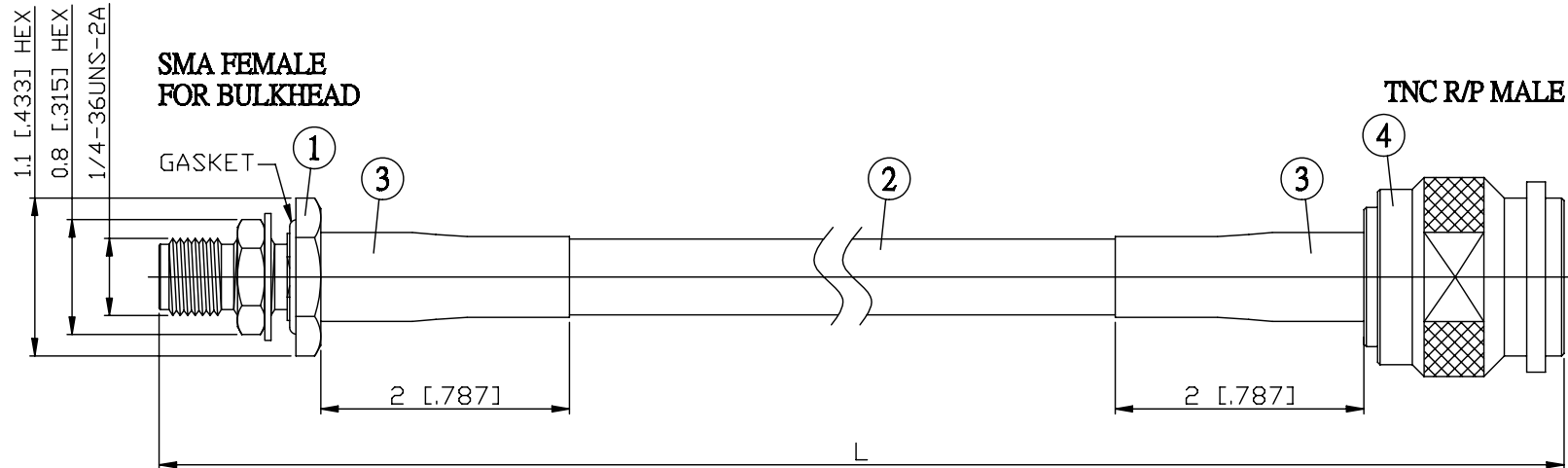
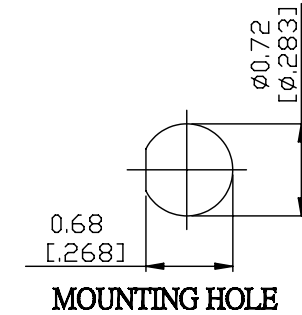


NO.	COMPONENTS	IMPEDANCE
1	SMA FEMALE FOR BULKHEAD	50 OHM
2	JBY240	50 OHM
3	HEAT SHRINKING TUBE	
4	TNC REVERSE POLARITY MALE	50 OHM



JYE BAO P/N	L CM (INCH)
A85T60-L240-15	15 (5.906)
A85T60-L240-30	30 (11.811)
A85T60-L240-50	50 (19.685)
A85T60-L240-100	100 (39.370)
A85T60-L240-150	150 (59.055)
A85T60-L240-200	200 (78.740)
A85T60-L240-XXX	CUSTOM LENGTH IN CM



LENGTH TOLERANCE IS ±1.5% OR ±10MM, WHICHEVER IS GREATER.	JYE BAO CO., LTD. TAIPEI TAIWAN
	DESCRIPTION CABLE ASSEMBLY SMA JACK FOR BULKHEAD TO TNC R/P PLUG
	JYE BAO DRAWING NO. A85T60-L240-XXX