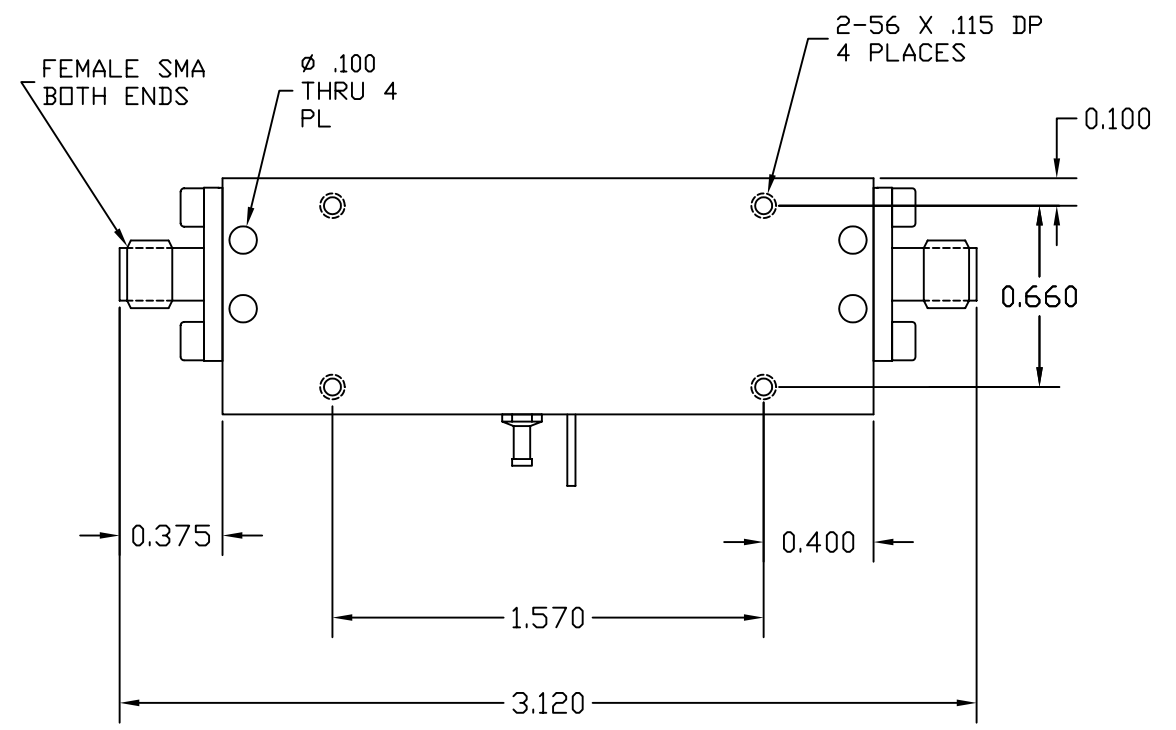
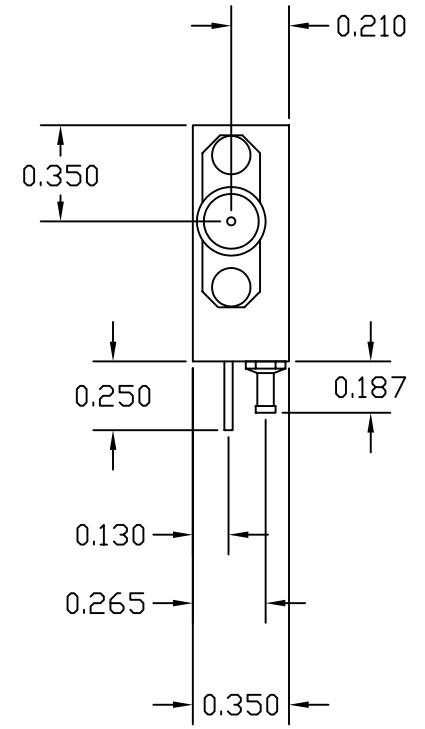
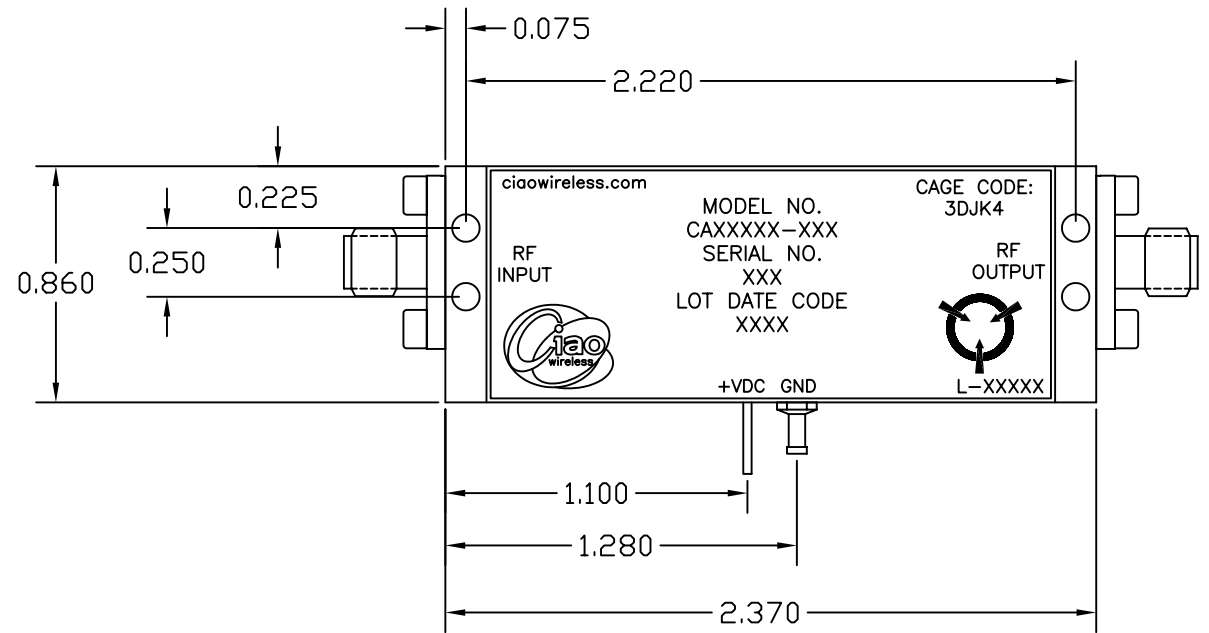


REVISIONS					
ZONE	REV	DESCRIPTION	ECO#	DATE	APPROVED
	A	RELEASED			



ITEM NO.	QTY REQD	PART OR IDENTIFYING NO.	NOMENCLATURE OR DESCRIPTION	MATERIAL SPECIFICATION
PARTS LIST				
UNLESS OTHERWISE SPECIFIED: DIMENSIONS ARE IN INCHES. TOLERANCES ARE: FRACTIONS DECIMALS HOLES ANGLES ± 1/64 .XX ±.01 .XX ±.01 ± 0°30'			CONTRACT NO.	
MACHINED FINISH: 32 RMS REMOVE BURRS .005 MAX			APPROVALS DATE	
MATERIAL			DRAWN J. LACBAIN 3/15/04	
ALUMINUM 6061-T6			CHECKED	
FINISH ELECTROLESS NICKEL PER MIL-C-26074 CLASS 4 GRADE B .0005 ± .0001 MAX			MECHANICAL ENGR	
NEXT ASSY			ELECTRICAL ENGR	
USED ON			PRODUCT ASSURANCE	
APPLICATION			PLANNING	
DO NOT SCALE DRAWING			MANUFACTURING	
SIZE B		CAGE CODE 3DJK4	DWG. NO. 30013	REV. A
SCALE 1/1			SHEET 1 OF 1	



**CIAO WIRELESS**  
4000 VIA PESCADOR  
CAMARILLO CA, 93012

XK4 ICD AMPLIFIER

30013  
REV A