



## 75 Ohm BNC DC Block Operating From 100 MHz to 4 GHz

### TECHNICAL DATA SHEET

PE8233

#### 75 Ohm BNC DC Block Operating From 100 MHz to 4 GHz

##### Configuration

Design	Inner/Outer DC Block
Body Style	Straight
Impedance	75 Ohms
Connector 1	BNC Male
Connector 2	BNC Female

##### Electrical Specifications

Frequency Range, GHz	0.1 to 4
Impedance, Ohms	75
Maximum VSWR	1.35:1
Maximum Insertion Loss, dB	0.5
Maximum Operating Voltage, Vrms	200

##### Mechanical Specifications

###### Temperature

Operating Range, deg C	-65 to +125
------------------------	-------------

###### Size

Length, in [mm]	1.6 [40.64]
Width/Dia., in [mm]	0.57 [14.48]
Body Material and Plating	Brass, Nickel

###### Connector 1

Type	BNC Male
Inner Conductor Material and Plating	Beryllium Copper, Gold
Coupling Nut Material and Plating	Brass, Nickel
Body Material and Plating	Brass, Nickel

###### Connector 2

Type	BNC Female
Inner Conductor Material and Plating	Beryllium Copper, Gold
Body Material and Plating	Brass, Nickel

##### Compliance Certifications (visit [www.Pasternack.com](http://www.Pasternack.com) for current document)

RoHS Compliant	Yes
----------------	-----

Click the following link (or enter part number in "SEARCH" on website) to obtain additional part information including price, inventory and certifications: [75 Ohm BNC DC Block Operating From 100 MHz to 4 GHz PE8233](#)

The information contained in this document is accurate to the best of our knowledge and representative of the part described herein. It may be necessary to make modifications to the part and/or the documentation of the part, in order to implement improvements. Pasternack reserves the right to make such changes as required. Unless otherwise stated, all specifications are nominal.





## 75 Ohm BNC DC Block Operating From 100 MHz to 4 GHz

### TECHNICAL DATA SHEET

PE8233

#### Plotted and Other Data

Notes:

Values at 25 °C, sea level

75 Ohm BNC DC Block Operating From 100 MHz to 4 GHz from Pasternack Enterprises has same day shipment for domestic and International orders. Our RF, microwave and fiber optic products maintain a 99% availability and are part of the broadest selection in the industry.

Click the following link (or enter part number in "SEARCH" on website) to obtain additional part information including price, inventory and certifications: [75 Ohm BNC DC Block Operating From 100 MHz to 4 GHz PE8233](http://www.pasternack.com/dc-block-bnc-male-to-bnc-female-100-mhz-4-ghz-pe8233-p.aspx)

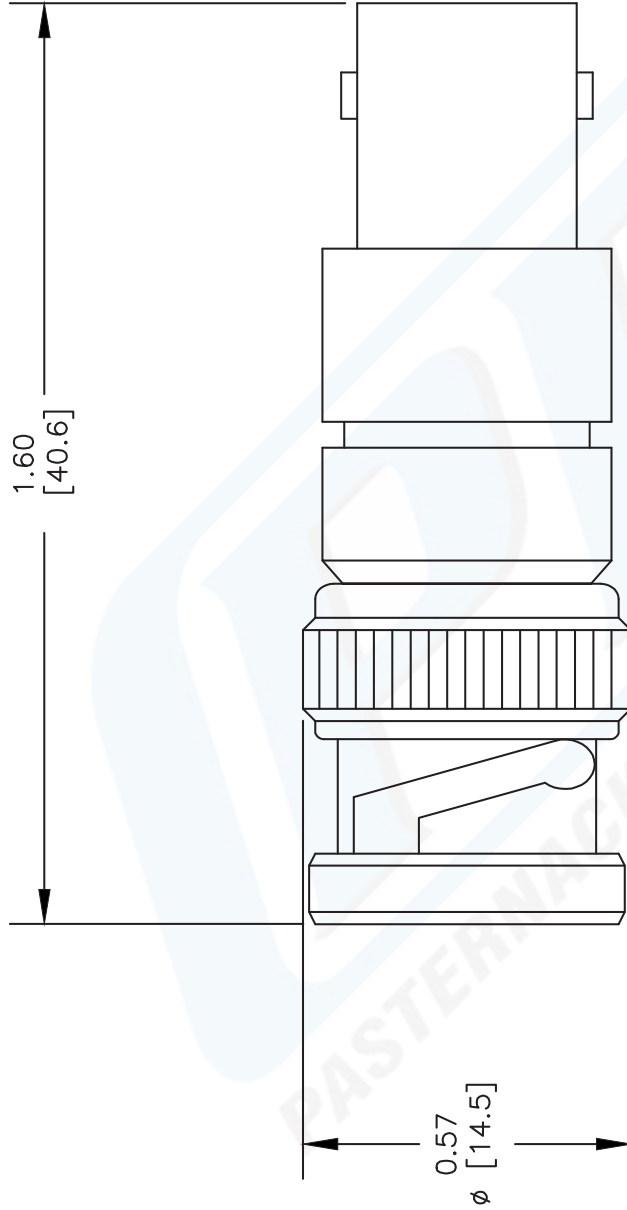
URL: <http://www.pasternack.com/dc-block-bnc-male-to-bnc-female-100-mhz-4-ghz-pe8233-p.aspx>

The information contained in this document is accurate to the best of our knowledge and representative of the part described herein. It may be necessary to make modifications to the part and/or the documentation of the part, in order to implement improvements. Pasternack reserves the right to make such changes as required. Unless otherwise stated, all specifications are nominal.



# PE8233 CAD Drawing

75 Ohm BNC DC Block Operating From 100 MHz to 4 GHz



NOTES:  
 1. UNLESS OTHERWISE SPECIFIED ALL DIMENSIONS ARE NOMINAL.  
 2. ALL SPECIFICATIONS ARE SUBJECT TO CHANGE WITHOUT NOTICE AT ANY TIME.  
 3. DIMENSIONS ARE IN INCHES [mm].

DWG TITLE  
**PE8233**

FSCM NO. 53919

CAD FILE 080802

SCALE N/A

SIZE A

127

**PE PASTERNAK®**  
 Pasternack Enterprises, Inc.  
 P.O. Box 16759 | Irvine | CA | 92623  
 Phone: (949) 261-1920 | Fax: (949) 261-7451  
 Website: www.pasternack.com | E-Mail: sales@pasternack.com