

# KR Electronics

## General Description

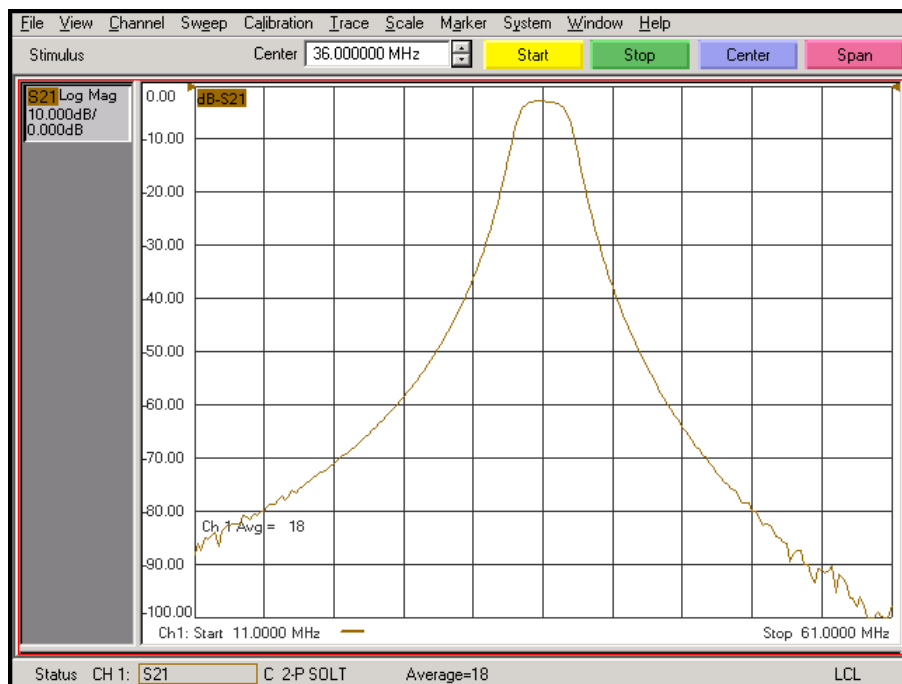
KR Electronics part number 2936-1 is a 36 MHz bandpass filter. The filter has a minimum 3 dB bandwidth of 3 MHz. Other center frequencies and bandwidths available. Please consult the factory.

### Features

- 36 MHz Center Frequency
- 3 MHz minimum 3 dB Bandwidth
- 50  $\Omega$  Source and Load
- Surface Mount

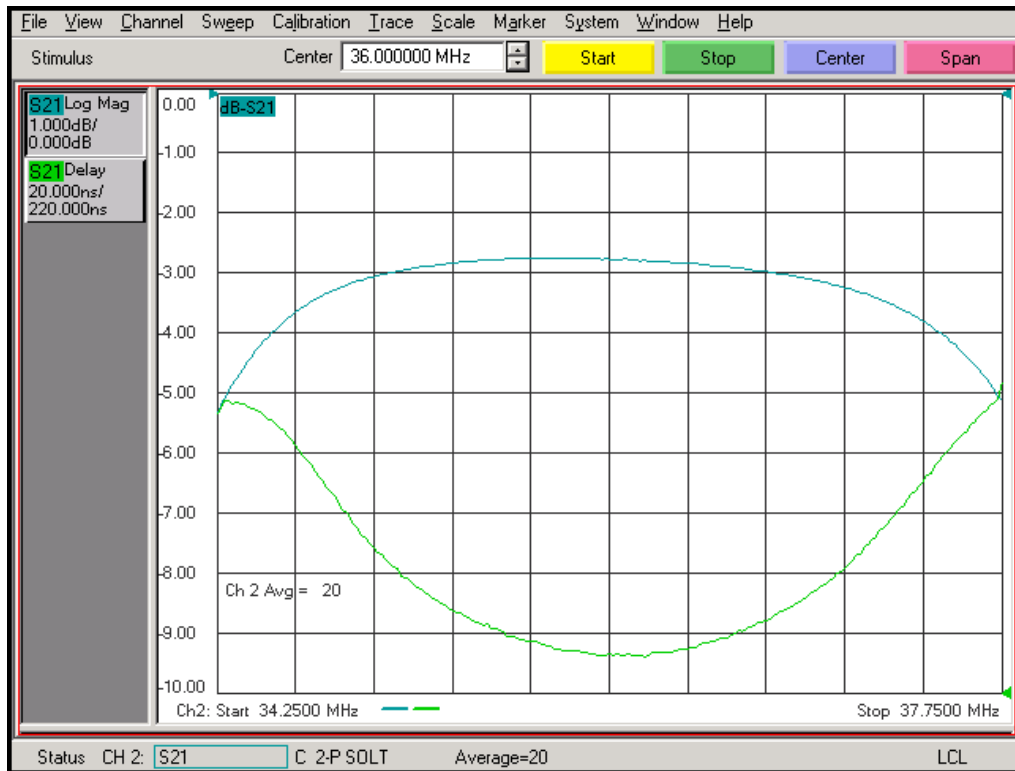
## Typical Performance

### Overall Response (10 dB/div)



## Typical Performance

### Passband Amplitude & Group Delay (1 dB/div & 20 nsec/div)

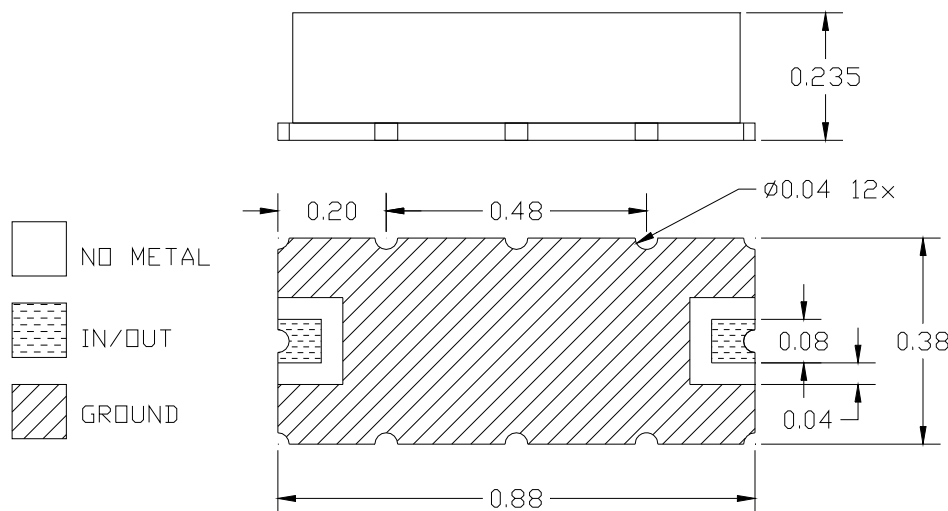


# KR Electronics 2936-1

## Specifications

Parameter	Specification	
Filter type	Bandpass	
Center Frequency	36 MHz	
Insertion Loss	4.5 dB max	3 dB typical
3 dB Bandwidth	3 MHz min	
Rejection at 25.6 MHz	47 dB min	56 dB typical
Rejection at 46.4 MHz	50 dB min	60 dB typical
Source and Load	50 Ω	

## Physical Dimensions



### Notes:

1. Surface mount package
2. Dimensions in inches
3. Max reflow temperature 209° C for 10 sec
4. If boards are cleaned after installation units must be completely dried

KR Electronics, Inc.  
91 Avenel Street  
Avenel, NJ 07001

Web [www.krfilters.com](http://www.krfilters.com)  
Email [sales@krfilters.com](mailto:sales@krfilters.com)  
Phone (732) 636-1900  
Fax (732) 636-1982