



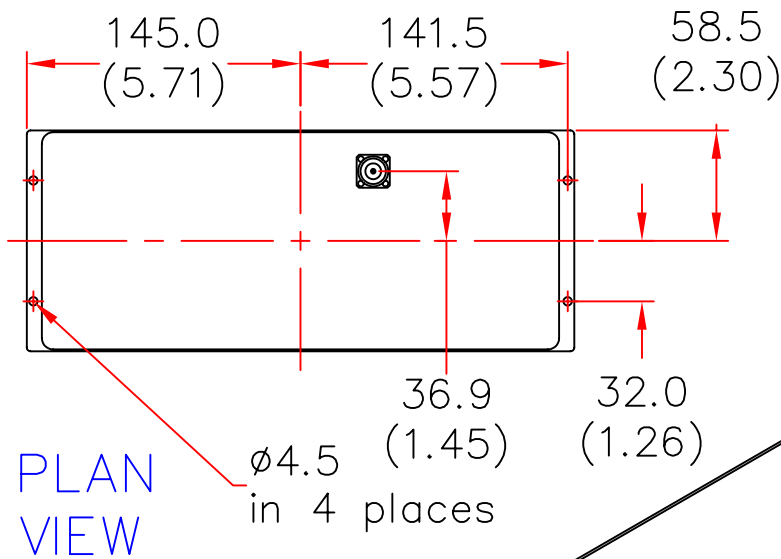
EUROPEAN ANTENNAS



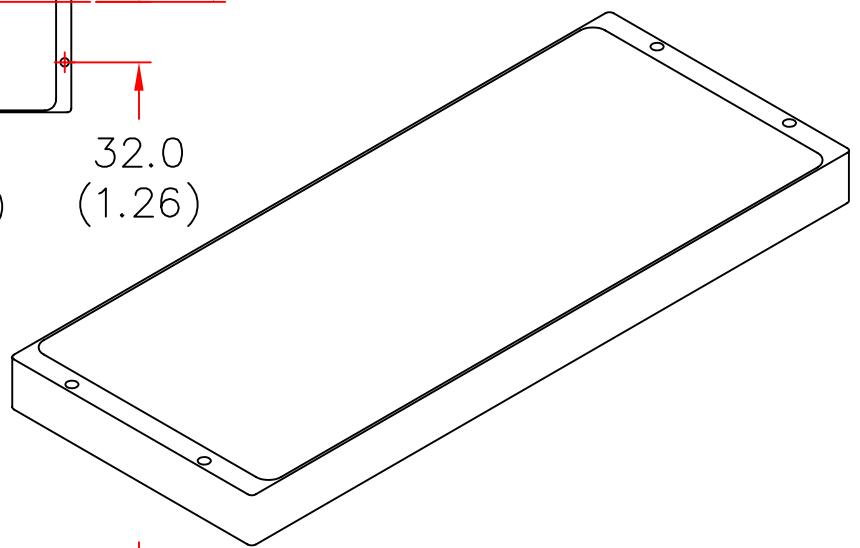
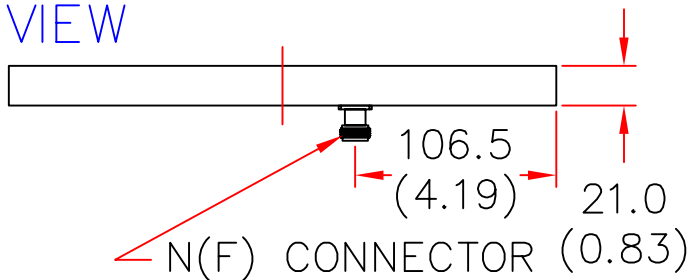
SECTOR ANTENNA

MODEL: SA10-18V/181

FREQUENCY: 1.71GHz – 1.88GHz	GAIN: 10dBi
POLARISATION: Linear (Vertical)	BEAMWIDTH: 80° x 40°
CROSS POLAR: 20dB	VSWR: 1.5:1
POWER RATING: 10W	FRONT TO BACK: 20dB
TEMPERATURE: -20°C to +50°C	MASS: 1.5Kg
RADOME: Glass fibre / Gloss white	WIND LOADING: 12.10lbs / 5.50Kg @ 100mph



SIDE VIEW



ISOMETRIC VIEW

DIMENSIONS: mm (inches)

GA 181-1 Issued 031298

EUROPEAN ANTENNAS LTD.

TEL: +44 (0)1638 731888

LAMBDA HOUSE, CHEVELEY,
NEWMARKET, SUFFOLK, CB8 9RG,
UNITED KINGDOM.

FAX: +44 (0)1638 731999

European Antennas Ltd. has a policy of continuous development and therefore stress that the data contained on this sheet should be used for guidance only.