



FAKRA Jack Connector Crimp/Solder Attachment For
PE-C100, RG174, RG316, Water Blue Color

TECHNICAL DATA SHEET

PE44646Z

FAKRA Jack Connector Crimp/Solder Attachment For PE-C100, RG174, RG316, Water Blue Color

Configuration

Connector	FAKRA Jack
Connector Interface Type	PE-C100,RG174,RG316
Cable Attachment Method (Shield/Contact)	Crimp/Solder
Body Style	Straight

Electrical Specifications

Frequency Range, GHz	DC to 4
Impedance, Ohms	50
Maximum VSWR	1.3:1
Dielectric Withstanding Voltage, Vrms	800

Mechanical Specifications

Temperature

Operating Range, deg C	-40 to +85
------------------------	------------

Size

Length, in [mm]	0.038 [0.97]
Width/Dia., in [mm]	0.37 [9]
Height, in [mm]	0.54 [13.72]
Weight, lbs [g]	0.008 [3.63]
Color	Water Blue

Connector

Type	FAKRA Jack
Contact Material and Plating	Phosphor Bronze, Gold
Outer Conductor Material and Plating	Brass, Nickel
Body Material and Plating	Plastic, Paint
Dielectric Type	Teflon

Compliance Certifications (visit www.Pasternack.com for current document)

RoHS Compliant	Yes
----------------	-----

Click the following link (or enter part number in "SEARCH" on website) to obtain additional part information including price, inventory and certifications: [FAKRA Jack Connector Crimp/Solder Attachment For PE-C100, RG174, RG316, Water Blue Color PE44646Z](#)

The information contained in this document is accurate to the best of our knowledge and representative of the part described herein. It may be necessary to make modifications to the part and/or the documentation of the part, in order to implement improvements. Pasternack reserves the right to make such changes as required. Unless otherwise stated, all specifications are nominal.





FAKRA Jack Connector Crimp/Solder Attachment For
PE-C100, RG174, RG316, Water Blue Color

TECHNICAL DATA SHEET

PE44646Z

Plotted and Other Data

Notes:

Values at 25 °C, sea level

FAKRA Jack Connector Crimp/Solder Attachment For PE-C100, RG174, RG316, Water Blue Color from Pasternack Enterprises has same day shipment for domestic and International orders. Our RF, microwave and fiber optic products maintain a 99% availability and are part of the broadest selection in the industry.

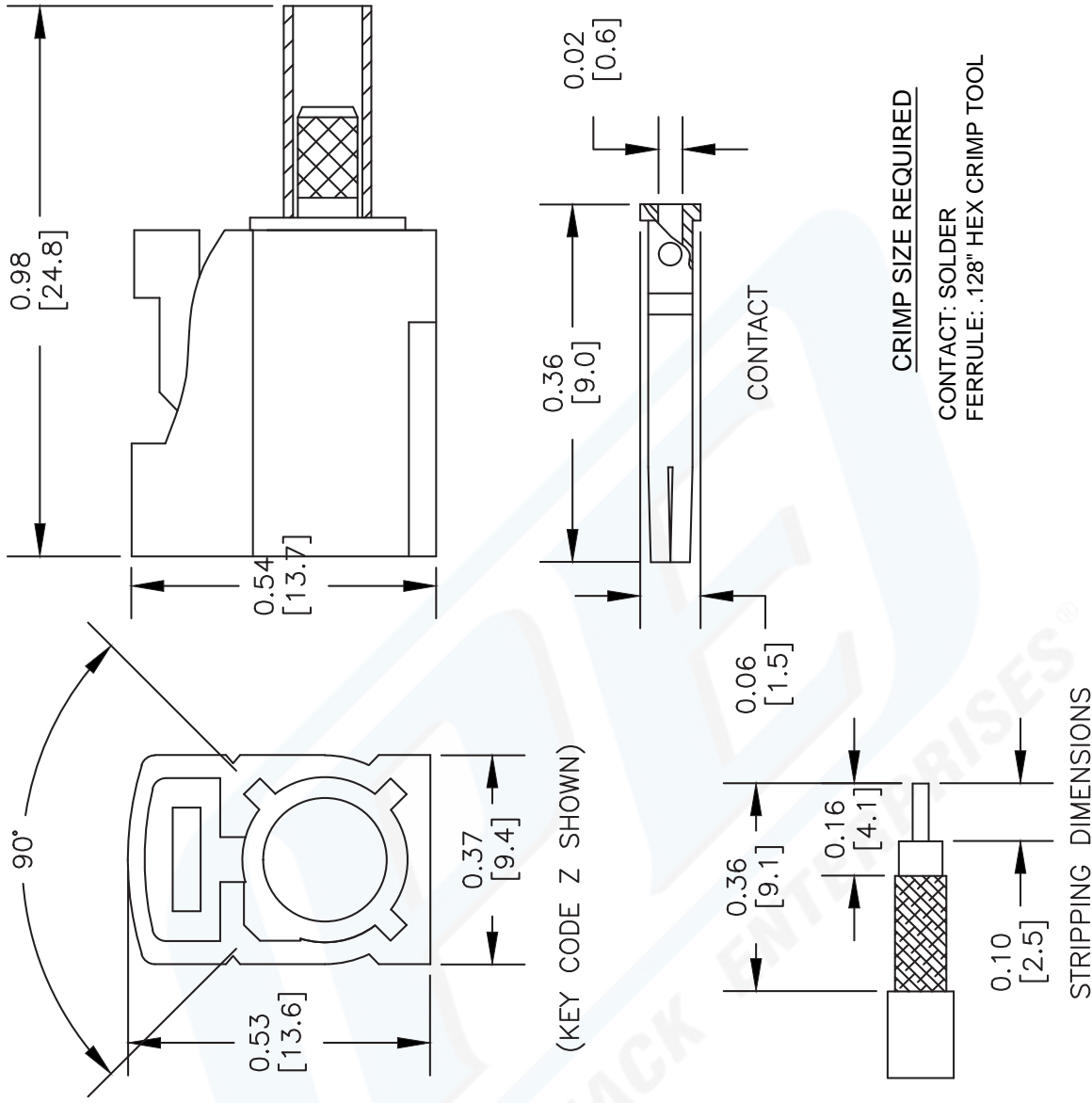
Click the following link (or enter part number in "SEARCH" on website) to obtain additional part information including price, inventory and certifications: [FAKRA Jack Connector Crimp/Solder Attachment For PE-C100, RG174, RG316, Water Blue Color PE44646Z](http://www.pasternack.com/fakra-jack-standard-pe-c100-rg174-rg316-connector-pe44646z-p.aspx)

URL: <http://www.pasternack.com/fakra-jack-standard-pe-c100-rg174-rg316-connector-pe44646z-p.aspx>

The information contained in this document is accurate to the best of our knowledge and representative of the part described herein. It may be necessary to make modifications to the part and/or the documentation of the part, in order to implement improvements. Pasternack reserves the right to make such changes as required. Unless otherwise stated, all specifications are nominal.

PE44646Z CAD Drawing

FAKRA Jack Connector Crimp/Solder Attachment For
PE-C100, RG174, RG316, Water Blue Color



Part Configurator			
1. Replace Y with code.			
CODING	JACK	COLOR	APPLICATION
A		BLACK	RADIO WITH PHANTOM SUPPLY
B		WHITE	RADIO WITHOUT PHANTOM SUPPLY
C		BLUE	GPS: TELEMATICS OR NAVIGATION
D		BORDEAUX	GSM: CELLULAR PHONE
H		VIOLET	GPS: TELEMATICS AND NAVIGATION
I		BEIGE	BLUETOOTH
K		CURRY	RADIO WITH IF OUTPUT (ANTENNA DIVERSITY)
Z		WATER BLUE	NEUTRAL CODING

NOTES:
 1. UNLESS OTHERWISE SPECIFIED ALL DIMENSIONS ARE NOMINAL.
 2. ALL SPECIFICATIONS ARE SUBJECT TO CHANGE WITHOUT NOTICE AT ANY TIME.
 3. DIMENSIONS ARE IN INCHES [mm].
 4. FITS MIL-C-17 AND EQUIVALENT CABLES.

DWG TITLE
PE44646Y

PASTERNAK
 Pasternack Enterprises, Inc.
 P.O. Box 16759 | Irvine | CA | 92623
 Phone: (949) 261-1920 | Fax: (949) 261-7451
 Website: www.pasternack.com | E-Mail: sales@pasternack.com

CAD FILE 010312 SCALE N/A

FSCM NO. 53919

SIZE A XXXX