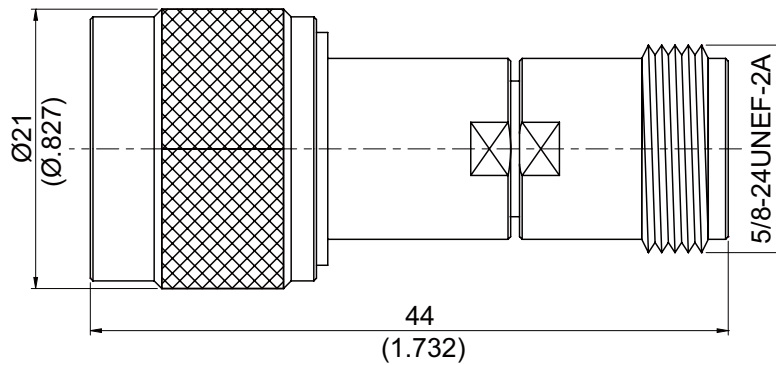


AD-N3N8-18

N Plug To N Jack For 18 GHz 50Ω



Typical VSWR

Part Number	1 GHz	2 GHz	3 GHz	4 GHz	5 GHz	6 GHz	7 GHz	8 GHz	9 GHz
AD-N3N8-18	1.02	1.04	1.04	1.04	1.1	1.1	1.1	1.1	1.1
	10 GHz	11 GHz	12 GHz	13 GHz	14 GHz	15 GHz	16 GHz	17 GHz	18 GHz
	1.1	1.14	1.14	1.14	1.14	1.16	1.2	1.2	1.2

Parts	Material	Plating (Micro-inch)
Retainer Ring	Brass	Tin-Zinc-Copper-Alloy 100 Over Copper 50
Gasket	Silicon	
Contact Pin	Beryllium Copper	Gold 20 Over Nickel 50 Over Copper 50
Holder	Copper	Tin-Zinc-Copper-Alloy 100 Over Copper 50
Insulator	P.P.	
Body(N)	Brass	Tin-Zinc-Copper-Alloy 100 Over Copper 50
Coupling Nut	Brass	Tin-Zinc-Copper-Alloy 100 Over Copper 50

Weight: 50 g

This part number complies with RoHS.

Notice: JYEBAO reserves the right to make modifications deemed appropriate.