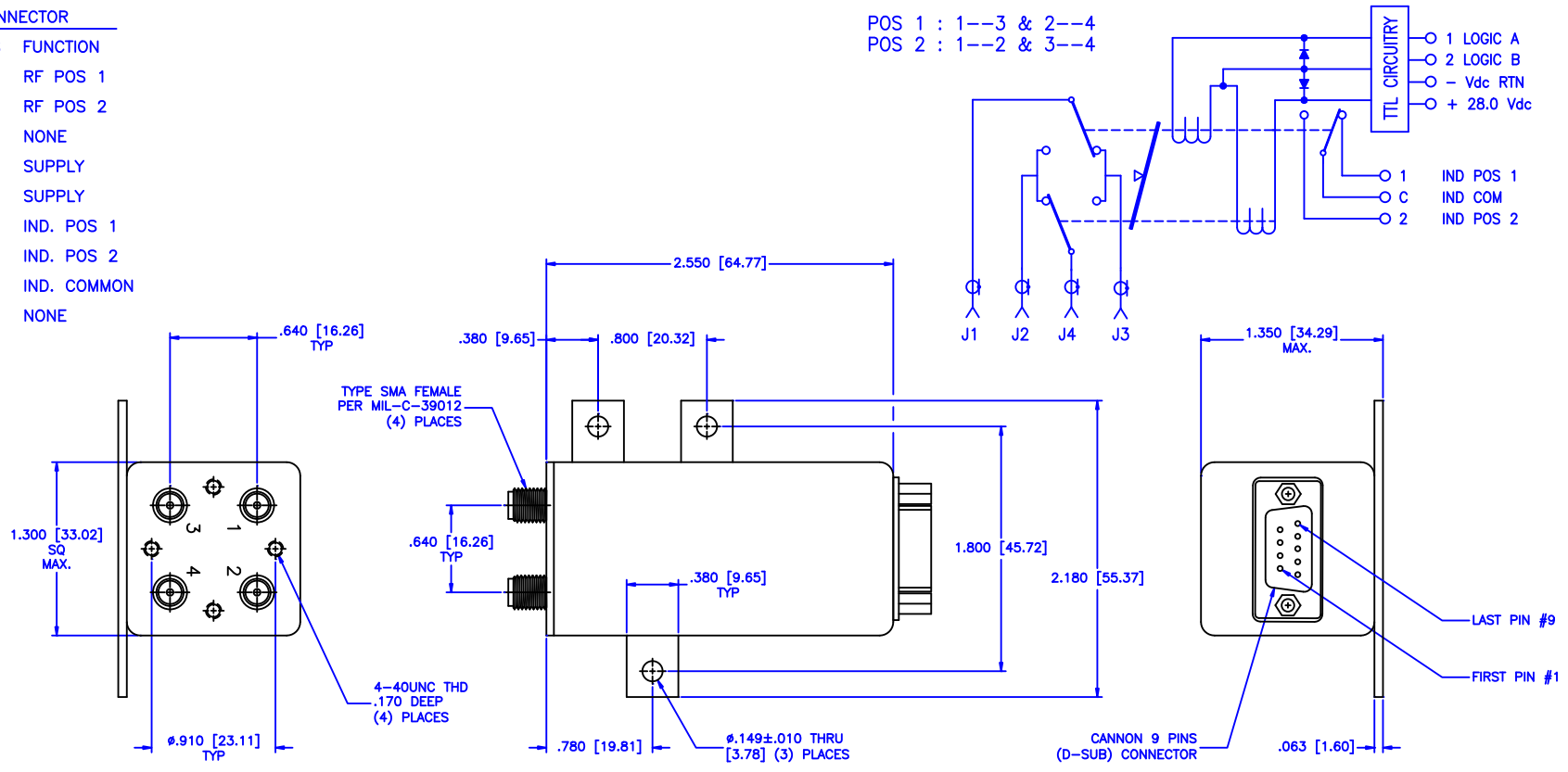


**D SUB 9 PINS CONNECTOR**

PIN	APPLICATIONS	FUNCTION
1	+5.0 Vdc	RF POS 1
2	+5.0 Vdc	RF POS 2
3	SPARE	NONE
4	Vdc RTN	SUPPLY
5	+28.0 Vdc	SUPPLY
6	INDICATOR	IND. POS 1
7	INDICATOR	IND. POS 2
8	INDICATOR	IND. COMMON
9	SPARE	NONE

POS 1 : 1--3 & 2--4  
 POS 2 : 1--2 & 3--4

REVISIONS				
ZONE	REV	DESCRIPTION	DATE	APPROVED



**MECHANICAL**

CONTACT: BREAK BEFORE MAKE  
 ACTUATOR: LATCHING  
 SWITCHING SPEED: 20 mSEC MAX

**ELECTRICAL**

ACTUATOR VOLTAGE: 28.0±3.0 Vdc  
 ACTUATOR CURRENT: 0.125 A MAX @ 28.0 Vdc  
 POWER HANDLING: 200W CW @ 1.0 GHz

**ENVIRONMENTAL**

OPERATING TEMP: -54°C TO +90°C  
 SINE VIBRATION: 30 G'S rms  
 LIFE: 1,000,000 CYCLES  
 RANDOM VIBRATION: 20 G'S rms

**SPECIFICATION:**

FREQ. RANGE:	GHz	DC-2.0	2.0-4.0	4.0-8.0	8.0-12.4
VSWR:	Max	1.20:1	1.25:1	1.30:1	1.40:1
INSERTION LOSS:	dB	0.20	0.25	0.30	0.40
ISOLATION:	dB	90	80	80	70
IMPEDANCE (Ohms):		50			

MATERIAL:		MICROWAVE COMMUNICATIONS LABORATORIES INC. 7255 30TH AVE. N. SAINT PETERSBURG, FL 33710 TEL: (727) 344-6254 FAX: (727) 381-6116 http://WWW.MCLI.COM	SCALE:	N/A
			SHEET:	N/A
DRAWN: Paiboon Luekhamhan		DRAWING TITLE: COAXIAL RF SWITCHES		
DATE: 01-06-2009		PART NO. C1-6-LISLC		
APPROVED: T. Nguyen		CAGE CODE: OD2L5		
DATE: 01-06-2009		SIZE: N/A		
		REV: B		
		DWG NO. 81676		
DO NOT SCALE THE DRAWING				