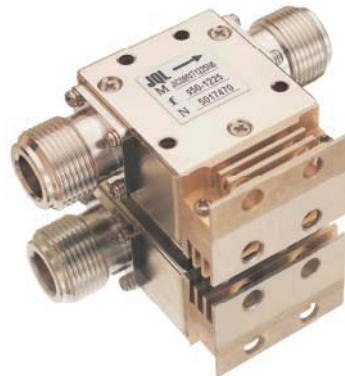


COAXIAL ISOLATOR

- Broad Selection of Frequency and Bandwidth (300MHz-18Ghz, from 3% to Full Bandwidth)
- Military, Space and Commercial Applications
- High Power Handling
- High Typical Isolation Above 25dB Per Junction
- Low Insertion Loss Below 0.3dB
- SMA M/F, N-M/F, Removable SMA Connectors
- Attenuator Option Available
- Wide Operation Temperature Range
- Custom Design Available Upon Request



COAXIAL ISOLATOR BY APPLICATION

FREQUENCY (GHz)		MODEL	ISOLATION	INS LOSS	VSWR	OPERATING	PWR	CONNECTOR	CONNECTOR	SIZE L*W*H	PACKAGE
F1	F2	NUMBER	(dB) MN	(dB) MAX	MAX	TEMP(°C)	FWD/REV(W)	DEFAULT	OPTION	(mm)	CODE
VHF APPLICATION											
0.132	0.144	JIC0132T0144N10	18	0.60	1.30	0-60	150/100	N-f	N-m/ SMA-f(m)	70*70*22	IC34
0.144	0.148	JIC0144T0148N10	18	0.60	1.30	0-60	150/100	N-f	N-m/ SMA-f(m)	70*70*22	IC34
0.148	0.156	JIC0148T0156N10	18	0.60	1.30	0-60	150/100	N-f	N-m/ SMA-f(m)	70*70*22	IC34
0.156	0.174	JIC0156T0174N10	18	0.60	1.30	0-60	150/100	N-f	N-m/ SMA-f(m)	70*70*22	IC34
UHF / TETRA APPLICATION											
0.300	0.420	JIC0300T0420N10	18	0.50	1.30	-30~+60	200/100	N-f	N-m/ SMA-f(m)	52*85*22	IC02
0.380	0.400	JIC0380T0400N10	25	0.25	1.15	-30~+60	200/100	N-f	N-m/ SMA-f(m)	52*85*22	IC02
0.380	0.460	JIC0380T0460N10	20	0.40	1.25	-30~+60	200/100	N-f	N-m/ SMA-f(m)	52*85*22	IC02
0.410	0.430	JIC0410T0430N10	20	0.40	1.25	-30~+60	200/100	N-f	N-m/ SMA-f(m)	52*85*22	IC02
0.420	0.450	JIC0420T0450N10	25	0.25	1.15	-30~+60	200/100	N-f	N-m/ SMA-f(m)	52*85*22	IC02
0.450	0.470	JIC0450T0470N10	25	0.25	1.15	-30~+60	200/100	N-f	N-m/ SMA-f(m)	52*85*22	IC02
0.470	0.512	JIC0470T0512N10	25	0.25	1.15	-30~+60	200/100	N-f	N-m/ SMA-f(m)	52*85*22	IC02
0.512	0.698	JIC0512T0698N10	20	0.40	1.25	-30~+60	200/100	N-f	N-m/ SMA-f(m)	52*85*22	IC02
0.698	0.806	JIC0698T0806N10	20	0.40	1.25	-30~+60	200/100	N-f	N-m/ SMA-f(m)	52*85*22	IC02
DIGITAL TV APPLICATION											
0.470	0.600	JIC0470T0600N10	20	0.40	1.25	-30~+60	200/100	N-f	N-m/ SMA-f(m)	52*85*22	IC02
RFID APPLICATION											
0.860	0.872	JIC0860T0872S10	25	0.25	1.15	-30~+75	150/100	SMA-f	N-f(m)/SMA-m	35*60*20	IC04
0.860	0.960	JIC0860T0960S10	21	0.40	1.15	-30~+75	150/100	SMA-f	N-f(m)/SMA-m	35*60*20	IC04
0.902	0.928	JIC0902T0928S10	25	0.25	1.15	-30~+75	150/100	SMA-f	N-f(m)/SMA-m	35*60*20	IC04
0.950	0.956	JIC0950T0956S10	25	0.25	1.15	-30~+75	150/100	SMA-f	N-f(m)/SMA-m	35*60*20	IC04
CELLULAR GSM APPLICATION											
0.800	0.960	JIC0800T0960S10	20	0.40	1.25	-30~+75	150/100	SMA-f	N-f(m)/SMA-m	35*60*20	IC04
0.824	0.849	JIC0824T0849S10	25	0.25	1.15	-30~+75	150/100	SMA-f	N-f(m)/SMA-m	35*60*20	IC04
0.869	0.894	JIC0869T0894S10	25	0.25	1.15	-30~+75	150/100	SMA-f	N-f(m)/SMA-m	35*60*20	IC04
0.869	0.960	JIC0869T0960S10	20	0.40	1.25	-30~+75	150/100	SMA-f	N-f(m)/SMA-m	35*60*20	IC04
0.876	0.880	JIC0876T0880S10	25	0.25	1.15	-30~+75	150/100	SMA-f	N-f(m)/SMA-m	35*60*20	IC04
0.880	0.915	JIC0880T0915S10	25	0.25	1.15	-30~+75	150/100	SMA-f	N-f(m)/SMA-m	35*60*20	IC04
0.890	0.915	JIC0890T0915S10	25	0.25	1.15	-30~+75	150/100	SMA-f	N-f(m)/SMA-m	35*60*20	IC04
0.921	0.925	JIC0921T0925S10	25	0.25	1.15	-30~+75	150/100	SMA-f	N-f(m)/SMA-m	35*60*20	IC04
0.923	0.962	JIC0923T0962S10	25	0.25	1.15	-30~+75	150/100	SMA-f	N-f(m)/SMA-m	35*60*20	IC04
0.925	0.960	JIC0925T0960S10	25	0.25	1.15	-30~+75	150/100	SMA-f	N-f(m)/SMA-m	35*60*20	IC04
0.935	0.960	JIC0935T0960S10	25	0.25	1.15	-30~+75	150/100	SMA-f	N-f(m)/SMA-m	35*60*20	IC04
CELLULAR DCS/PCS APPLICATION											
1.710	1.785	JIC1710T1785S10	25	0.25	1.15	-30~+75	100/100	SMA-f	N-f(m)/SMA-m	25.4*38.5*20	IC06
1.803	1.882	JIC1803T1882S10	25	0.25	1.15	-30~+75	100/100	SMA-f	N-f(m)/SMA-m	25.4*38.5*20	IC06
1.805	1.880	JIC1805T1880S10	25	0.25	1.15	-30~+75	100/100	SMA-f	N-f(m)/SMA-m	25.4*38.5*20	IC06
1.805	1.990	JIC1805T1990S10	20	0.40	1.25	-30~+75	100/100	SMA-f	N-f(m)/SMA-m	25.4*38.5*20	IC06
1.805	1.910	JIC1805T1910S10	20	0.40	1.25	-30~+75	100/100	SMA-f	N-f(m)/SMA-m	25.4*38.5*20	IC06
1.930	1.990	JIC1930T1990S10	25	0.25	1.25	-30~+75	100/100	SMA-f	N-f(m)/SMA-m	25.4*38.5*20	IC06
CELLULAR UMTS/CDMA APPLICATION											
2.080	2.200	JIC2080T2200S10	21	0.40	1.25	-30~+75	100/100	SMA-f	N-f(m)/SMA-m	25.4*38.5*20	IC06
2.110	2.170	JIC2110T2170S10	25	0.25	1.15	-30~+75	100/100	SMA-f	N-f(m)/SMA-m	25.4*38.5*20	IC06
WIMAX / WIBRO APPLICATION											
2.300	2.500	JIC2300T2500S1	23	0.30	1.20	-30~+75	100/15	SMA-f	SMA-m	25*25*15	IC15
2.496	2.690	JIC2496T2690S1	23	0.30	1.20	-30~+75	100/15	SMA-f	SMA-m	25*25*15	IC15
2.500	2.700	JIC2500T2700S1	23	0.30	1.20	-30~+75	100/15	SMA-f	SMA-m	20*25*14	IC14
3.300	3.500	JIC3300T3500S1	23	0.30	1.20	-30~+75	100/15	SMA-f	SMA-m	25*25*15	IC15
3.300	3.800	JIC3300T3800S1	21	0.40	1.20	-30~+75	100/15	SMA-f	SMA-m	25*25*15	IC15
3.400	3.600	JIC3400T3600S1	23	0.30	1.20	-30~+75	100/15	SMA-f	SMA-m	25*25*15	IC15



JQL ELECTRONICS INC.
 1-888-236-9828 (USA) 1-630-930-9917 (International) sales@jqlelectronics.com

COAXIAL ISOLATOR

NARROWBAND COAXIAL ISOLATOR

FREQUENCY (GHz)		MODEL	ISOLATION	INS LOSS	VSWR	OPERATING	PWR	CONNECTOR	CONNECTOR	SIZE L*W*H	PACKAGE
F1	F2	NUMBER	(dB) MIN	(dB) MAX	MAX	TEMP(°C)	FWD/REV (W)	DEFAULT	OPTION	(mm)	CODE
0.132	0.144	JIC0132T0144N10	18	0.60	1.30	0~60	150/100	N-f	N-m/ SMA-f(m)	70*70*22	IC34
0.144	0.148	JIC0144T0148N10	18	0.60	1.30	0~60	150/100	N-f	N-m/ SMA-f(m)	70*70*22	IC34
0.148	0.156	JIC0148T0156N10	18	0.60	1.30	0~60	150/100	N-f	N-m/ SMA-f(m)	70*70*22	IC34
0.156	0.174	JIC0156T0174N10	18	0.60	1.30	0~60	150/100	N-f	N-m/ SMA-f(m)	70*70*22	IC34
0.300	0.420	JIC0300T0420N10	18	0.50	1.30	-30~+60	200/100	N-f	N-m/ SMA-f(m)	52*85*22	IC02
0.380	0.400	JIC0380T0400N10	25	0.25	1.15	-30~+60	200/100	N-f	N-m/ SMA-f(m)	52*85*22	IC02
0.380	0.460	JIC0380T0460N10	20	0.40	1.25	-30~+60	200/100	N-f	N-m/ SMA-f(m)	52*85*22	IC02
0.380	0.460	JIC0380T0460N15	20	0.40	1.25	-15~+60	200/150	N-f	N-m/SMA-f(m)	52*85*22	IC02
0.390	0.450	JIC0390T0450S2	20	0.40	1.25	-15~+60	100/25	SMA-f	N-f(m)/SMA-m	52*58*22	IC01
0.390	0.450	JIC0390T0450N15	20	0.40	1.25	-15~+60	200/150	N-f	N-m/SMA-f(m)	52*85*22	IC02
0.410	0.430	JIC0410T0430N10	20	0.40	1.25	-30~+60	200/100	N-f	N-m/ SMA-f(m)	52*85*22	IC02
0.420	0.450	JIC0420T0450N10	25	0.25	1.15	-30~+60	200/100	N-f	N-m/ SMA-f(m)	52*85*22	IC02
0.420	0.450	JIC0420T0450S2	25	0.30	1.20	-15~+60	100/25	SMA-f	N-f(m)/SMA-m	52*58*22	IC01
0.420	0.450	JIC0420T0450N15	25	0.30	1.20	-15~+60	200/150	N-f	N-m/SMA-f(m)	52*85*22	IC02
0.450	0.470	JIC0450T0470N10	25	0.25	1.15	-30~+60	200/100	N-f	N-m/ SMA-f(m)	52*85*22	IC02
0.470	0.512	JIC0470T0512N10	25	0.25	1.15	-30~+60	200/100	N-f	N-m/ SMA-f(m)	52*85*22	IC02
0.470	0.600	JIC0470T0600N10	20	0.40	1.25	-30~+60	200/100	N-f	N-m/ SMA-f(m)	52*85*22	IC02
0.512	0.698	JIC0512T0698N10	20	0.40	1.25	-30~+60	200/100	N-f	N-m/ SMA-f(m)	52*85*22	IC02
0.698	0.806	JIC0698T0806N10	20	0.40	1.25	-30~+60	200/100	N-f	N-m/ SMA-f(m)	52*85*22	IC02
0.800	0.960	JIC0800T0960S10	20	0.40	1.25	-30~+75	150/100	SMA-f	N-f(m)/SMA-m	35*60*20	IC04
0.800	0.960	JIC0800T0960S1	20	0.40	1.25	-30~+70	100/10	SMA-f	N-f(m)/SMA-m	35*38*20	IC03
0.800	0.960	JIC0800T0960S15	20	0.40	1.25	-30~+70	200/150	SMA-f	N-f(m)/SMA-m	35*60*20	IC04
0.824	0.849	JIC0824T0849S10	25	0.25	1.15	-30~+75	150/100	SMA-f	N-f(m)/SMA-m	35*60*20	IC04
0.850	0.950	JIC0850T0950S1	20	0.40	1.25	-30~+70	100/10	SMA-f	N-f(m)/SMA-m	35*38*20	IC03
0.850	0.950	JIC0850T0950S15	20	0.40	1.25	-30~+70	200/150	SMA-f	N-f(m)/SMA-m	35*60*20	IC04
0.860	0.872	JIC0860T0872S10	25	0.25	1.15	-30~+75	150/100	SMA-f	N-f(m)/SMA-m	35*60*20	IC04
0.860	0.960	JIC0860T0960S10	21	0.40	1.15	-30~+75	150/100	SMA-f	N-f(m)/SMA-m	35*60*20	IC04
0.869	0.894	JIC0869T0894S6	25	0.30	1.15	-30~+70	100/60	SMA-f	N-f(m)/SMA-m	25.4*38.5*20	IC06
0.869	0.894	JIC0869T0894S1	25	0.30	1.15	-30~+70	100/10	SMA-f	SMA-m	25*25*15	IC08
0.869	0.894	JIC0869T0894S10	25	0.25	1.15	-30~+75	150/100	SMA-f	N-f(m)/SMA-m	35*60*20	IC04
0.869	0.960	JIC0869T0960S10	20	0.40	1.25	-30~+75	150/100	SMA-f	N-f(m)/SMA-m	35*60*20	IC04
0.876	0.880	JIC0876T0880S10	25	0.25	1.15	-30~+75	150/100	SMA-f	N-f(m)/SMA-m	35*60*20	IC04
0.880	0.915	JIC0880T0915S10	25	0.25	1.15	-30~+75	150/100	SMA-f	N-f(m)/SMA-m	35*60*20	IC04
0.890	0.915	JIC0890T0915S10	25	0.25	1.15	-30~+75	150/100	SMA-f	N-f(m)/SMA-m	35*60*20	IC04
0.902	0.928	JIC0902T0928S10	25	0.25	1.15	-30~+75	150/100	SMA-f	N-f(m)/SMA-m	35*60*20	IC04
0.921	0.925	JIC0921T0925S10	25	0.25	1.15	-30~+75	150/100	SMA-f	N-f(m)/SMA-m	35*60*20	IC04
0.923	0.962	JIC0923T0962S10	25	0.25	1.15	-30~+75	150/100	SMA-f	N-f(m)/SMA-m	35*60*20	IC04
0.925	0.960	JIC0925T0960S6	25	0.30	1.15	-30~+70	100/60	SMA-f	N-f(m)/SMA-m	25.4*38.5*20	IC06
0.925	0.960	JIC0925T0960S1	25	0.30	1.15	-30~+70	100/10	SMA-f	SMA-m	25*25*15	IC08
0.925	0.960	JIC0925T0960S10	25	0.25	1.15	-30~+75	150/100	SMA-f	N-f(m)/SMA-m	35*60*20	IC04
0.935	0.960	JIC0935T0960S10	25	0.25	1.15	-30~+75	150/100	SMA-f	N-f(m)/SMA-m	35*60*20	IC04
0.950	0.956	JIC0950T0956S10	25	0.25	1.15	-30~+75	150/100	SMA-f	N-f(m)/SMA-m	35*60*20	IC04
0.950	1.225	JIC0950T1225N1	20	0.40	1.25	-30~+70	100/10	N-f	N-m/SMA-f(m)	30*33*20	IC05
0.950	1.225	JIC0950T1225N6	19	0.50	1.25	-30~+70	100/60	N-f	N-m/SMA-f(m)	30*43*20	IC07
0.950	1.225	JIC0950T1225S1	20	0.40	1.25	-30~+70	100/10	SMA-f	SMA-m	30*33*15	IC09
0.980	1.140	JIC0980T1140S1	20	0.50	1.25	-30~+70	100/10	SMA-f	SMA-m	25*25*15	IC08
1.000	1.100	JIC1000T1100S6	22	0.35	1.22	-30~+70	100/60	SMA-f	N-f(m)/SMA-m	25.4*38.5*20	IC06
1.000	1.100	JIC1000T1100S1	22	0.35	1.22	-30~+70	100/10	SMA-f	SMA-m	25*25*15	IC08
1.200	1.400	JIC1200T1400S6	20	0.40	1.25	-30~+70	100/60	SMA-f	N-f(m)/SMA-m	25.4*38.5*20	IC06
1.200	1.400	JIC1200T1400S1	20	0.40	1.25	-30~+70	100/10	SMA-f	SMA-m	25*25*15	IC08
1.435	1.535	JIC1435T1535S6	22	0.35	1.22	-30~+70	100/60	SMA-f	N-f(m)/SMA-m	25.4*38.5*20	IC06
1.435	1.535	JIC1435T1535S1	22	0.35	1.22	-30~+70	100/10	SMA-f	SMA-m	20*25.4*15	IC13
1.500	1.600	JIC1500T1600S6	22	0.35	1.22	-30~+70	100/60	SMA-f	N-f(m)/SMA-m	25.4*38.5*20	IC06
1.500	1.600	JIC1500T1600S1	22	0.35	1.22	-30~+70	100/10	SMA-f	SMA-m	20*25.4*15	IC13
1.600	1.800	JIC1600T1800S6	20	0.40	1.25	-30~+70	100/60	SMA-f	N-f(m)/SMA-m	25.4*38.5*20	IC06
1.600	1.800	JIC1600T1800S1	20	0.40	1.25	-30~+70	100/10	SMA-f	SMA-m	25*25*15	IC08
1.710	1.785	JIC1710T1785S10	25	0.25	1.15	-30~+75	100/100	SMA-f	N-f(m)/SMA-m	25.4*38.5*20	IC06
1.800	2.100	JIC1800T2100S0	20	0.40	1.20	-30~+70	60/5	SMA-f	N-f(m)/SMA-m	28*30*19	IC12
1.800	2.100	JIC1800T2100S1	20	0.40	1.20	-30~+70	100/10	SMA-f	SMA-m	25*25*15	IC15
1.803	1.882	JIC1803T1882S10	25	0.25	1.15	-30~+75	100/100	SMA-f	N-f(m)/SMA-m	25.4*38.5*20	IC06
1.805	1.880	JIC1805T1880S10	25	0.25	1.15	-30~+75	100/100	SMA-f	N-f(m)/SMA-m	25.4*38.5*20	IC06
1.805	1.880	JIC1805T1880S6	25	0.30	1.20	-30~+70	100/60	SMA-f	N-f(m)/SMA-m	25.4*38.5*20	IC06
1.805	1.880	JIC1805T1880S1	25	0.30	1.20	-30~+70	100/10	SMA-f	SMA-m	20*25.4*15	IC13
1.805	1.990	JIC1805T1990S10	20	0.40	1.25	-30~+75	100/100	SMA-f	N-f(m)/SMA-m	25.4*38.5*20	IC06
1.805	1.910	JIC1805T1910S10	20	0.40	1.25	-30~+75	100/100	SMA-f	N-f(m)/SMA-m	25.4*38.5*20	IC06
1.920	1.980	JIC1920T1980S1	25	0.30	1.20	-30~+70	100/10	SMA-f	SMA-m	25*25*15	IC15
1.920	2.170	JIC1920T2170S2	20	0.35	1.20	-30~+70	100/25	SMA-f	SMA-m	25*25*15	IC15
1.930	1.990	JIC1930T1990S6	25	0.30	1.20	-30~+70	100/60	SMA-f	N-f(m)/SMA-m	25.4*38.5*20	IC06
1.930	1.990	JIC1930T1990S1	25	0.30	1.20	-30~+70	100/10	SMA-f	SMA-m	20*25.4*15	IC13
1.930	1.990	JIC1930T1990S10	25	0.25	1.25	-30~+75	100/100	SMA-f	N-f(m)/SMA-m	25.4*38.5*20	IC06



500 Lake Cook Road, Suite 350, Deerfield, IL 60015, USA
 Tel:1(888)236-9828/ 1(630)930-9917 Fax:1(630)823-2902
 Website:www.jqlelectronics.com email: sales@jqlelectronics.com

COAXIAL ISOLATOR

NARROWBAND COAXIAL ISOLATOR											
FREQUENCY(GHz)		MODEL	ISOLATION	INS LOSS	VSWR	OPERATING	PWR	CONNECTOR	CONNECTOR	SIZE L*W*H	PACKAGE
F1	F2	NUMBER	(dB)MIN	(dB)MAX	MAX	TEMP(°C)	FWD/REV(W)	DEFAULT	OPTION	(mm)	CODE
2.000	2.330	JIC2000T2330S0	20	0.40	1.20	-30~+70	60/5	SMA-f	N-f(m)/SMA-m	28*30*19	IC12
2.000	2.330	JIC2000T2330S1	20	0.40	1.20	-30~+70	100/10	SMA-f	SMA-m	25*25*15	IC15
2.000	2.400	JIC2000T2400S1	20	0.40	1.20	-30~+70	100/10	SMA-f	SMA-m	25*25*15	IC15
2.000	2.500	JIC2000T2500S1	20	0.40	1.20	-30~+70	100/10	SMA-f	SMA-m	25*25*15	IC15
2.070	2.140	JIC2070T2140S0	25	0.30	1.20	-30~+70	60/5	SMA-f	N-f(m)/SMA-m	28*30*19	IC12
2.070	2.140	JIC2070T2140S1	25	0.30	1.20	-30~+70	100/10	SMA-f	SMA-m	20*25*14	IC14
2.080	2.200	JIC2080T2200S10	21	0.40	1.25	-30~+75	100/100	SMA-f	N-f(m)/SMA-m	25.4*38.5*20	IC06
2.110	2.170	JIC2110T2170S10	25	0.25	1.15	-30~+75	100/100	SMA-f	N-f(m)/SMA-m	25.4*38.5*20	IC06
2.100	2.300	JIC2100T2300S0	25	0.30	1.20	-30~+70	60/5	SMA-f	N-f(m)/SMA-m	28*30*19	IC12
2.100	2.300	JIC2100T2300S1	23	0.30	1.20	-30~+70	100/10	SMA-f	SMA-m	20*25*14	IC14
2.110	2.170	JIC2110T2170S1	25	0.30	1.20	-30~+70	100/10	SMA-f	SMA-m	25*25*15	IC15
2.200	2.300	JIC2200T2300N1	25	0.30	1.20	-30~+70	100/10	N-f	N-m/SMA-f(m)	28*30*19	IC12
2.200	2.300	JIC2200T2300S1	23	0.30	1.20	-30~+70	100/10	SMA-f	SMA-m	20*25*14	IC14
2.200	2.300	JIC2200T2300S2	25	0.30	1.20	-30~+70	100/20	SMA-f	SMA-m	25*25*15	IC15
2.200	2.500	JIC2200T2500S0	20	0.40	1.20	-30~+70	60/5	SMA-f	N-f(m)/SMA-m	28*30*19	IC12
2.200	2.500	JIC2200T2500S1	20	0.40	1.20	-30~+70	100/10	SMA-f	SMA-m	25*25*15	IC15
2.300	2.500	JIC2300T2500S1	23	0.30	1.20	-30~+70	100/10	SMA-f	SMA-m	25*25*15	IC15
2.300	2.700	JIC2300T2700S2	20	0.40	1.20	-30~+70	100/25	SMA-f	SMA-m	25*25*15	IC15
2.496	2.690	JIC2496T2690S1	23	0.30	1.20	-30~+75	100/15	SMA-f	SMA-m	25*25*15	IC15
2.500	2.700	JIC2500T2700S0	25	0.30	1.20	-30~+70	60/5	SMA-f	N-f(m)/SMA-m	28*30*19	IC12
2.500	2.700	JIC2500T2700S1	23	0.30	1.20	-30~+70	100/10	SMA-f	SMA-m	20*25*14	IC14
2.500	2.700	JIC2500T2700S2	25	0.30	1.20	-30~+70	100/25	SMA-f	SMA-m	25*25*15	IC15
2.700	2.900	JIC2700T2900S1	25	0.30	1.20	-30~+70	100/10	SMA-f	SMA-m	25*25*15	IC15
2.700	3.100	JIC2700T3100S0	20	0.40	1.20	-30~+70	60/5	SMA-f	N-f(m)/SMA-m	28*30*19	IC12
2.700	3.100	JIC2700T3100S1	20	0.40	1.20	-30~+70	100/10	SMA-f	SMA-m	25*25*15	IC15
3.000	3.500	JIC3000T3500S1	18	0.50	1.25	-30~+70	25/10	SMA-f	SMA-m	25*25*15	IC15
3.300	3.500	JIC3300T3500S1	23	0.30	1.20	-30~+75	100/15	SMA-f	SMA-m	25*25*15	IC15
3.300	3.800	JIC3300T3800S1	21	0.40	1.20	-30~+75	100/15	SMA-f	SMA-m	25*25*15	IC15
3.300	4.900	JIC3300T4900S1	20	0.50	1.25	-30~+70	25/10	SMA-f	SMA-m	25*25*15	IC15
3.400	3.600	JIC3400T3600S1	23	0.30	1.20	-30~+75	100/15	SMA-f	SMA-m	25*25*15	IC15
3.700	4.200	JIC3700T4200N1	23	0.40	1.20	-40~+75	25/10	N-f	N-m/SMA-f(m)	16*26*19	IC18
3.700	4.200	JIC3700T4200S1	23	0.40	1.20	-40~+75	25/10	SMA-f	SMA-m	16*26*13	IC22
4.000	4.200	JIC4000T4200S1	25	0.30	1.20	-30~+75	25/10	SMA-f	SMA-m	16*26*13	IC22
4.200	4.400	JIC4200T4400N1	25	0.30	1.20	-40~+75	25/10	N-f	N-m/SMA-f(m)	16*26*19	IC18
4.200	4.400	JIC4200T4400S1	25	0.30	1.20	-40~+75	25/10	SMA-f	SMA-m	16*26*13	IC22
4.400	5.000	JIC4400T5000S1	23	0.40	1.20	-40~+75	25/10	SMA-f	SMA-m	16*26*13	IC22
4.415	5.015	JIC4415T5015S1	23	0.40	1.20	-40~+75	25/10	SMA-f	SMA-m	16*26*13	IC22
5.000	7.000	JIC5000T7000S1	20	0.50	1.25	-35~+75	25/10	SMA-f	SMA-m	16*26*13	IC22
5.150	5.650	JIC5150T5650N1	23	0.40	1.20	-40~+75	25/10	N-f	N-m/SMA-f(m)	16*26*19	IC18
5.150	5.650	JIC5150T5650S1	25	0.30	1.20	-40~+75	25/10	SMA-f	SMA-m	16*24*14	IC20
5.400	5.900	JIC5400T5900N1	23	0.40	1.20	-40~+75	25/10	N-f	N-m/SMA-f(m)	16*26*19	IC18
5.400	5.900	JIC5400T5900S1	23	0.40	1.20	-40~+75	25/10	SMA-f	SMA-m	16*24*14	IC20
5.700	7.100	JIC5700T7100S1	20	0.50	1.22	-35~+80	25/10	SMA-f	SMA-m	16*26*13	IC22
5.800	6.500	JIC5800T6500S1	20	0.40	1.25	-40~+75	25/10	SMA-f	SMA-m	16*24*14	IC20
5.850	6.425	JIC5850T6425S1	23	0.40	1.20	-40~+75	25/10	SMA-f	SMA-m	16*24*14	IC20
5.850	6.650	JIC5850T6650S1	18	0.50	1.25	-40~+75	25/10	SMA-f	SMA-m	16*24*14	IC20
6.375	6.975	JIC6375T6975S1	23	0.40	1.20	-40~+75	25/10	SMA-f	SMA-m	16*26*13	IC22
6.400	7.100	JIC6400T7100S1	21	0.40	1.20	-40~+75	25/15	SMA-f	SMA-m	16*24*14	IC20
6.500	7.200	JIC6500T7200S1	20	0.40	1.20	-40~+75	15/10	SMA-f	SMA-m	16*24*14	IC20
6.700	7.100	JIC6700T7100S1	25	0.30	1.20	-40~+75	15/10	SMA-f	SMA-m	16*24*14	IC20
6.710	7.420	JIC6710T7420S1	20	0.40	1.25	-35~+80	15/10	SMA-f	SMA-m	16*24*14	IC20
7.000	7.700	JIC7000T7700S1	23	0.40	1.20	-40~+75	15/10	SMA-f	SMA-m	12*20*13	IC25
7.200	8.400	JIC7200T8400S1	20	0.50	1.20	-40~+75	15/10	SMA-f	SMA-m	12*20*13	IC25
7.825	8.475	JIC7825T8475S1	23	0.40	1.20	-40~+75	15/10	SMA-f	SMA-m	12*20*13	IC25
8.500	9.600	JIC8500T9600S1	23	0.40	1.20	-40~+75	15/10	SMA-f	SMA-m	12*20*13	IC25
9.500	15.500	JIC9500T15K5S1	18	0.60	1.30	-40~+75	15/10	SMA-f	SMA-m	12*20*13	IC25



JQL ELECTRONICS INC.
 1-888-236-9828 (USA) 1-630-930-9917 (International) sales@jqlelectronics.com

COAXIAL ISOLATOR

NARROWBAND COAXIAL ISOLATOR

FREQUENCY (GHz)		MODEL	ISOLATION	INS LOSS	VSWR	OPERATING	PWR	CONNECTOR	CONNECTOR	SIZE L*W*H	PACKAGE
F1	F2	NUMBER	(dB) MIN	(dB) MAX	MAX	TEMP(°C)	FWD/REV (W)	DEFAULT	OPTION	(mm)	CODE
10.000	12.000	JIC10K0T12K0S1	20	0.40	1.20	-40~+75	15/10	SMA-f	SMA-m	12*20*13	IC25
10.000	15.000	JIC10K0T15K0S1	20	0.50	1.25	-40~+75	15/10	SMA-f	SMA-m	12*20*13	IC25
10.500	11.300	JIC10K5T11K3S1	23	0.40	1.20	-40~+75	15/10	SMA-f	SMA-m	12*20*13	IC25
10.500	11.800	JIC10K5T11K8G1	21	0.40	1.20	-40~+75	15/10	SMA-f	SMA-m	12*20*13	IC25
11.000	12.000	JIC11K0T12K0S1	23	0.40	1.20	-40~+75	15/10	SMA-f	SMA-m	12*20*13	IC25
11.000	12.790	JIC11K0T12K8S1	20	0.50	1.25	-40~+75	15/10	SMA-f	SMA-m	12*20*13	IC25
11.000	14.000	JIC11K0T14K0S1	20	0.50	1.25	-40~+75	15/10	SMA-f	SMA-m	12*20*13	IC25
11.450	12.750	JIC11K4T12K8S1	20	0.40	1.20	-40~+75	15/10	SMA-f	SMA-m	12*20*13	IC25
12.000	12.800	JIC12K0T12K8S1	25	0.30	1.20	-40~+75	15/10	SMA-f	SMA-m	12*20*13	IC25
12.075	12.925	JIC12K0T13K0S1	21	0.40	1.20	-40~+75	15/10	SMA-f	SMA-m	12*20*13	IC25
12.500	13.350	JIC12K5T13K4S1	21	0.40	1.20	-40~+75	15/10	SMA-f	SMA-m	12*20*13	IC25
12.750	14.500	JIC12K7T14K5S1	20	0.40	1.20	-40~+75	15/10	SMA-f	SMA-m	12*20*13	IC25
13.000	15.000	JIC13K0T15K0S1	20	0.40	1.20	-40~+75	15/10	SMA-f	SMA-m	12*20*13	IC25
14.400	14.800	JIC14K4T14K8S2	22	0.35	1.20	-40~+75	25/10	SMA-f	SMA-m	12*20*13	IC25
14.500	15.350	JIC14K5T15K4S1	21	0.40	1.20	-40~+75	15/10	SMA-f	SMA-m	12*20*13	IC25
14.900	15.200	JIC14K9T15K2S1	25	0.30	1.20	-40~+75	15/10	SMA-f	SMA-m	12*20*13	IC25
15.000	18.000	JIC15K0T18K0S1	18	0.50	1.25	-40~+75	15/10	SMA-f	SMA-m	12*20*13	IC25
16.000	18.000	JIC16K0T18K0S1	20	0.50	1.25	-40~+75	15/10	SMA-f	SMA-m	12*20*13	IC25

BROADBAND COAXIAL ISOLATOR

FREQUENCY (GHz)		MODEL	ISOLATION	INS LOSS	VSWR	OPERATING	PWR HANDLING	CONNECTOR	CONNECTOR	SIZE L*W*H	PACKAGE
F1-F2 GHz		NUMBER	(dB) MIN	(dB) MAX	MAX	TEMP(°C)	FWD/REV (W)	DEFAULT	OPTION	(mm)	CODE
0.950	1.225	JIC0950T1225N1	20	0.40	1.25	-30~+70	60/10	N-f	N-m/SMA-f(m)	30*33*20	IC05
0.950	1.225	JIC0950T1225N6	19	0.50	1.25	-30~+70	100/60	N-f	N-m/SMA-f(m)	30*43*20	IC07
0.950	1.225	JIC0950T1225S1	20	0.40	1.25	-30~+70	60/10	SMA-f	N-f(m)/SMA-m	30*33*15	IC09
1.000	2.000	JIC1000T2000S1	16	0.70	1.4	-15~+60	30/10	SMA-f	N-f(m)/SMA-m	70*80*21	IC16
2.000	4.000	JIC2000T4000S1	18	0.60	1.4	-30~+70	30/10	SMA-f	N-f(m)/SMA-m	32*34*18	IC17
2.000	8.000	JIC2000T8000S1	12	1.50	1.8	-30~+70	30/10	SMA-f	N-f(m)/SMA-m	60*42*19	IC19
2.200	2.800	JIC2200T2800S0	18	0.50	1.25	-30~+70	30/5	SMA-f	N-f(m)/SMA-m	28*30*19	IC12
3.000	6.000	JIC3000T6000S1	17	0.60	1.4	-30~+70	30/10	SMA-f	SMA-m	25.4*34.5*13	IC21
3.400	4.200	JIC3400T4200S1	18	0.50	1.3	-30~+70	30/10	SMA-f	SMA-m	25.4*34.5*13	IC21
4.000	5.000	JIC4000T5000S1	20	0.40	1.25	-30~+70	15/10	SMA-f	SMA-m	25.4*31.4*12.7	IC23
4.000	8.000	JIC4000T8000S1	18	0.60	1.3	-30~+70	15/10	SMA-f	SMA-m	25.4*31.4*12.7	IC23
6.000	12.000	JIC6000T12K0S1	18	0.60	1.4	-40~+75	15/10	SMA-f	SMA-m	16*26*13	IC27
6.000	18.000	JIC6000T18K0S1	12	1.50	1.8	-40~+75	15/10	SMA-f	SMA-m	19*27*13	IC11
6.500	18.000	JIC6500T18K0S1	12	1.50	1.8	-40~+75	15/10	SMA-f	SMA-m	19*27*13	IC11
7.000	9.000	JIC7000T9000S1	18	0.60	1.4	-40~+75	15/10	SMA-f	SMA-m	16*26*13	IC27
7.000	10.000	JIC7000T10K0S1	18	0.60	1.4	-40~+75	15/10	SMA-f	SMA-m	16*26*13	IC27
7.000	18.000	JIC7000T18K0S1	12	1.50	1.8	-40~+75	15/10	SMA-f	SMA-m	19*27*13	IC10
8.000	10.000	JIC8000T10K0S1	20	0.50	1.25	-30~+70	15/10	SMA-f	SMA-m	12*20*13	IC24
8.000	12.400	JIC8000T12K4S1	20	0.50	1.25	-30~+70	15/10	SMA-f	SMA-m	12*20*13	IC24
8.000	16.000	JIC8000T16K0S1	17	0.80	1.4	-40~+75	15/10	SMA-f	SMA-m	15*23*13	IC10
8.000	18.000	JIC8000T18K0S1	17	0.80	1.4	-30~+70	15/10	SMA-f	SMA-m	15*23*13	IC10
10.000	15.000	JIC10K0T15K0S1	20	0.50	1.25	-30~+70	15/10	SMA-f	SMA-m	12*20*13	IC25
10.000	15.000	JIC10K0T15K0N1	20	0.50	1.25	-30~+70	15/10	N-f	N-m/SMA-f(m)	12*23*19	IC26
12.000	15.000	JIC12K0T15K0S1	20	0.50	1.25	-30~+70	15/10	SMA-f	SMA-m	12*20*13	IC25
12.000	18.000	JIC12K0T18K0S1	20	0.60	1.3	-30~+70	15/10	SMA-f	SMA-m	12*20*13	IC24
16.000	22.000	JIC16K0T22K0S0	20	0.60	1.3	-30~+70	10/5	SMA-f	SMA-m	12*20*13	IC24



COAXIAL ISOLATOR

DUAL JUNCTION COAXIAL ISOLATOR

FREQUENCY (GHz)		MODEL	ISOLATION	INS LOSS	VSWR	OPERATING	PWR HANDLING	CONNECTOR	CONNECTOR	SIZE L*W*H	PACKAGE
F1	F2	NUMBER	(dB) MIN	(dB) MAX	MAX	TEMP(°C)	FWD/REV (W)	DEFAULT	OPTION	(mm)	CODE
0.132	0.144	J12C0132T0144N10	36	1.20	1.30	0-60	150/100	N-f	N-m/ SMA-f(m)	140*70*22	IC35
0.144	0.148	J12C0144T0148N10	36	1.20	1.30	0-60	150/100	N-f	N-m/ SMA-f(m)	140*70*22	IC35
0.148	0.156	J12C0148T0156N10	36	1.20	1.30	0-60	150/100	N-f	N-m/ SMA-f(m)	140*70*22	IC35
0.156	0.174	J12C0156T0174N10	36	1.20	1.30	0-60	150/100	N-f	N-m/ SMA-f(m)	140*70*22	IC35
0.300	0.420	J12C0300T0420N10	36	1.00	1.30	-30-+60	200/100	N-f	N-m/ SMA-f(m)	104*57.5*22	IC28
0.380	0.400	J12C0380T0400N10	50	0.50	1.15	-30-+60	200/100	N-f	N-m/ SMA-f(m)	104*57.5*22	IC28
0.380	0.460	J12C0380T0460N10	40	0.80	1.25	-30-+60	200/100	N-f	N-m/ SMA-f(m)	104*57.5*22	IC28
0.390	0.400	J12C0390T0400N10	50	0.50	1.25	-15-+60	200/100	N-f	N-m/ SMA-f(m)	104*57.5*22	IC28
0.390	0.450	J12C0390T0450N1	50	0.60	1.22	-15-+60	100/10	N-f	N-m/ SMA-f(m)	104*57.5*22	IC28
0.400	0.455	J12C0400T0455N1	50	0.60	1.22	-15-+60	100/10	N-f	N-m/ SMA-f(m)	104*57.5*22	IC28
0.410	0.430	J12C0410T0430N10	50	0.50	1.25	-30-+60	200/100	N-f	N-m/ SMA-f(m)	104*57.5*22	IC28
0.420	0.450	J12C0420T0450N10	50	0.50	1.15	-30-+60	200/100	N-f	N-m/ SMA-f(m)	104*57.5*22	IC28
0.420	0.450	J12C0420T0450S15	50	0.50	1.25	-15-+60	200/150	SMA-f	N-f(m)/SMA-m	104*57.5*22	IC28
0.450	0.470	J12C0450T0470N10	50	0.50	1.15	-30-+60	200/100	N-f	N-m/ SMA-f(m)	104*57.5*22	IC28
0.450	0.480	J12C0450T0480N10	50	0.50	1.25	-15-+60	200/100	N-f	N-m/ SMA-f(m)	104*57.5*22	IC28
0.470	0.512	J12C0470T0512N10	50	0.50	1.15	-30-+60	200/100	N-f	N-m/ SMA-f(m)	104*57.5*22	IC28
0.470	0.600	J12C0470T0600N10	40	0.80	1.25	-30-+60	200/100	N-f	N-m/ SMA-f(m)	104*57.5*22	IC28
0.512	0.698	J12C0512T0698N10	45	0.80	1.25	-30-+60	200/100	N-f	N-m/ SMA-f(m)	104*57.5*22	IC28
0.698	0.806	J12C0698T0806N10	40	0.80	1.25	-30-+60	200/100	N-f	N-m/ SMA-f(m)	104*57.5*22	IC28
0.800	0.860	J12C0800T0860N10	40	0.50	1.20	-30-+70	100/10	N-f	N-m/ SMA-f(m)	60*33*20	IC29
0.860	0.872	J12C0860T0872S10	50	0.50	1.15	-30-+75	150/100	SMA-f	N-f(m)/SMA-m	60*33*20	IC29
0.860	0.930	J12C0860T0930N1	40	0.50	1.20	-30-+70	100/10	N-f	N-m/ SMA-f(m)	60*33*20	IC29
0.860	0.960	J12C0860T0960S10	42	0.80	1.15	-30-+75	150/100	SMA-f	N-f(m)/SMA-m	60*33*20	IC29
0.869	0.894	J12C0869T0894S6	50	0.40	1.20	-30-+70	100/60	SMA-f	N-f(m)/SMA-m	60*33*20	IC29
0.902	0.928	J12C0902T0928S10	50	0.50	1.15	-30-+75	150/100	SMA-f	N-f(m)/SMA-m	60*33*20	IC29
0.950	0.956	J12C0950T0956S10	50	0.50	1.15	-30-+75	150/100	SMA-f	N-f(m)/SMA-m	60*33*20	IC29
0.800	0.960	J12C0800T0960S10	40	0.80	1.25	-30-+75	150/100	SMA-f	N-f(m)/SMA-m	60*33*20	IC29
0.824	0.849	J12C0824T0849S10	50	0.50	1.15	-30-+75	150/100	SMA-f	N-f(m)/SMA-m	60*33*20	IC29
0.869	0.894	J12C0869T0894S10	50	0.50	1.15	-30-+75	150/100	SMA-f	N-f(m)/SMA-m	60*33*20	IC29
0.869	0.960	J12C0869T0960S10	40	0.80	1.25	-30-+75	150/100	SMA-f	N-f(m)/SMA-m	60*33*20	IC29
0.876	0.880	J12C0876T0880S10	50	0.50	1.15	-30-+75	150/100	SMA-f	N-f(m)/SMA-m	60*33*20	IC29
0.880	0.915	J12C0880T0915S10	50	0.50	1.15	-30-+75	150/100	SMA-f	N-f(m)/SMA-m	60*33*20	IC29
0.890	0.915	J12C0890T0915S10	50	0.50	1.15	-30-+75	150/100	SMA-f	N-f(m)/SMA-m	60*33*20	IC29
0.921	0.925	J12C0921T0925S10	50	0.50	1.15	-30-+75	150/100	SMA-f	N-f(m)/SMA-m	60*33*20	IC29
0.925	0.960	J12C0925T0960S6	50	0.40	1.20	-30-+70	100/60	SMA-f	N-f(m)/SMA-m	60*33*20	IC29
0.923	0.962	J12C0923T0962S10	50	0.50	1.15	-30-+75	150/100	SMA-f	N-f(m)/SMA-m	60*33*20	IC29
0.925	0.960	J12C0925T0960S10	50	0.50	1.15	-30-+75	150/100	SMA-f	N-f(m)/SMA-m	60*33*20	IC29
0.935	0.960	J12C0935T0960S10	50	0.50	1.15	-30-+75	150/100	SMA-f	N-f(m)/SMA-m	60*33*20	IC29
1.710	1.785	J12C1710T1785S10	50	0.50	1.15	-30-+75	100/100	SMA-f	N-f(m)/SMA-m	46*32*20	IC30
1.803	1.882	J12C1803T1882S10	50	0.50	1.15	-30-+75	100/100	SMA-f	N-f(m)/SMA-m	46*32*20	IC30
1.805	1.880	J12C1805T1880S10	50	0.50	1.15	-30-+75	100/100	SMA-f	N-f(m)/SMA-m	46*32*20	IC30
1.805	1.990	J12C1805T1990S10	40	0.80	1.25	-30-+75	100/100	SMA-f	N-f(m)/SMA-m	46*32*20	IC30
1.805	1.910	J12C1805T1910S10	40	0.80	1.25	-30-+75	100/100	SMA-f	N-f(m)/SMA-m	46*32*20	IC30
1.930	1.990	J12C1930T1990S10	50	0.50	1.25	-30-+75	100/100	SMA-f	N-f(m)/SMA-m	46*32*20	IC30
1.930	1.990	J12C1930T1990S6	48	0.50	1.20	-30-+70	100/60	SMA-f	N-f(m)/SMA-m	46*32*20	IC30
1.930	1.990	J12C1930T1990S10	48	0.40	1.20	-30-+70	100/10	SMA-f	N-f(m)/SMA-m	40*27*18	IC31
2.080	2.200	J12C2080T2200S10	42	0.80	1.25	-30-+75	100/100	SMA-f	N-f(m)/SMA-m	46*32*20	IC30
2.070	2.140	J12C2070T2140S6	48	0.40	1.20	-30-+70	100/60	SMA-f	N-f(m)/SMA-m	46*32*20	IC30
2.070	2.140	J12C2070T2140S1	48	0.40	1.20	-30-+70	100/10	SMA-f	N-f(m)/SMA-m	40*27*18	IC31
2.110	2.170	J12C2110T2170S10	50	0.50	1.15	-30-+75	100/100	SMA-f	N-f(m)/SMA-m	46*32*20	IC30
2.300	2.500	J12C2300T2500S1	46	0.60	1.20	-30-+75	100/15	SMA-f	SMA-m	40*27*18	IC31
2.496	2.690	J12C2496T2690S1	46	0.60	1.20	-30-+75	100/15	SMA-f	SMA-m	40*27*18	IC31
2.500	2.700	J12C2500T2700S1	46	0.60	1.20	-30-+75	100/15	SMA-f	SMA-m	40*27*18	IC31
3.300	3.500	J12C3300T3500S1	46	0.60	1.20	-30-+75	100/15	SMA-f	SMA-m	40*27*18	IC31
3.300	3.800	J12C3300T3800S1	42	0.80	1.20	-30-+75	100/15	SMA-f	SMA-m	40*27*18	IC31
3.400	3.600	J12C3400T3600S1	46	0.60	1.20	-30-+75	100/15	SMA-f	SMA-m	40*27*18	IC31
5.850	6.650	J12C5850T6650S1	50	0.60	1.20	-40-+75	15/10	SMA-f	SMA-m	30*21*14	IC32
7.000	7.700	J12C7000T7700S1	50	0.50	1.20	-40-+75	15/10	SMA-f	SMA-m	24*20*13	IC33
7.825	8.475	J12C7825T8475S1	50	0.50	1.20	-40-+75	15/10	SMA-f	SMA-m	24*20*13	IC33
8.500	9.600	J12C8500T9600S1	50	0.50	1.20	-40-+75	15/10	SMA-f	SMA-m	24*20*13	IC33
10.000	12.000	J12C10K0T12K0S1	50	0.50	1.20	-40-+75	15/10	SMA-f	SMA-m	24*20*13	IC33
10.500	11.300	J12C10K5T11K3S1	50	0.50	1.20	-40-+75	15/10	SMA-f	SMA-m	24*20*13	IC33



1-888-236-9828 (USA)

JQL ELECTRONICS INC.

1-630-930-9917 (International)

sales@jqlelectronics.com

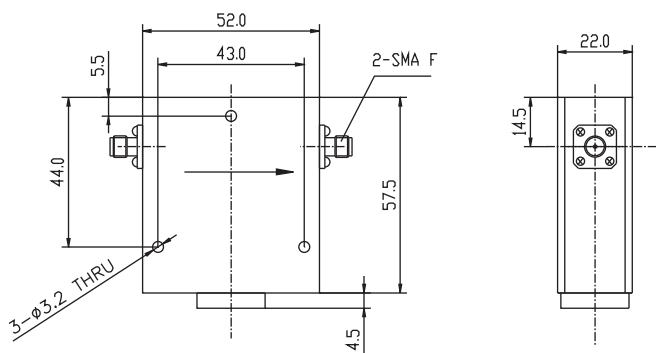
COAXIAL ISOLATOR

SELECT-A-FREQUENCY COAXIAL ISOLATOR

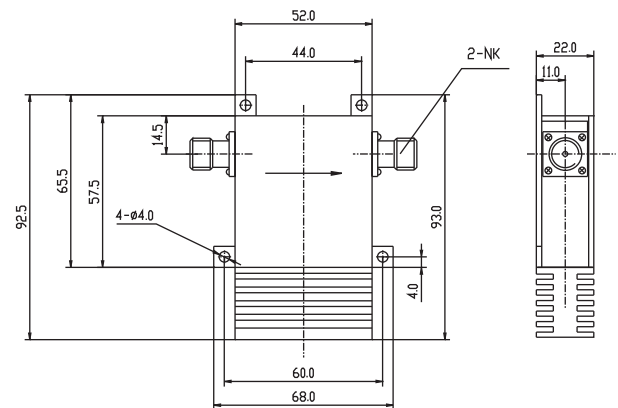
FREQUENCY (GHz)	BANDWIDTH	ISOLATION	INS LOSS	VSWR	OPERATING	PWR HANDLING	
F1~F2	MHz	(dB) MIN	(dB) MAX	MAX	TEMP(°C)	FWD/REV (w)	
0.300	0.600	30MHz	25	0.30	1.20	-15~+60	200/150
0.300	0.600	50MHz	20	0.40	1.25	-15~+60	200/150
0.600	1.000	30MHz	25	0.30	1.20	-30~+70	200/150
0.600	1.000	200MHz	20	0.40	1.25	-30~+70	200/150
0.800	1.200	70MHz	25	0.30	1.20	-30~+70	100/60
0.800	1.200	200MHz	20	0.40	1.25	-30~+70	100/60
1.000	2.000	70MHz	25	0.30	1.20	-30~+70	100/60
1.000	2.000	200MHz	20	0.40	1.25	-30~+70	100/60
1.400	2.400	70MHz	25	0.30	1.20	-30~+70	100/60
1.800	3.500	200MHz	25	0.30	1.20	-30~+70	100/60
1.800	3.500	400MHz	20	0.40	1.25	-30~+70	100/60
3.500	6.500	300MHz	25	0.30	1.20	-40~+75	20/10
3.500	6.500	600MHz	23	0.40	1.20	-40~+75	20/10
5.000	8.000	300MHz	25	0.30	1.20	-40~+75	15/10
5.000	8.000	600MHz	23	0.40	1.20	-40~+75	15/10
7.000	18.000	500MHz	25	0.30	1.20	-40~+75	15/10
7.000	18.000	1000MHz	23	0.40	1.20	-40~+75	15/10

SELECT-A-FREQUENCY DUAL JUNCTION COAXIAL ISOLATOR (HIGH ISOLATION)

FREQUENCY (GHz)	BANDWIDTH	ISOLATION	INS LOSS	VSWR	OPERATING	PWR HANDLING	
F1~F2	MHz	(dB) MIN	(dB) MAX	MAX	TEMP(°C)	FWD/REV (w)	
0.300	0.500	30MHz	50	0.50	1.20	-15~+60	200/150
0.800	1.200	25MHz	50	0.40	1.20	-30~+70	100/60
1.600	2.700	70MHz	48	0.40	1.20	-30~+70	100/60
2.700	5.000	50MHz	50	0.40	1.20	-30~+70	15/10
5.000	7.000	300MHz	50	0.60	1.20	-40~+75	15/10
7.000	18.000	1000MHz	50	0.50	1.20	-40~+75	15/10



IC01-COAXIAL ISOLATOR

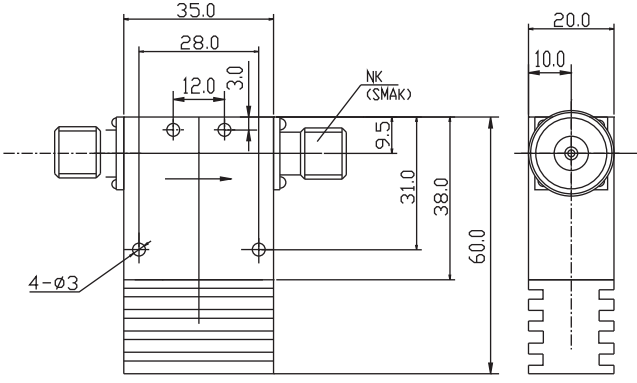


IC02-COAXIAL ISOLATOR

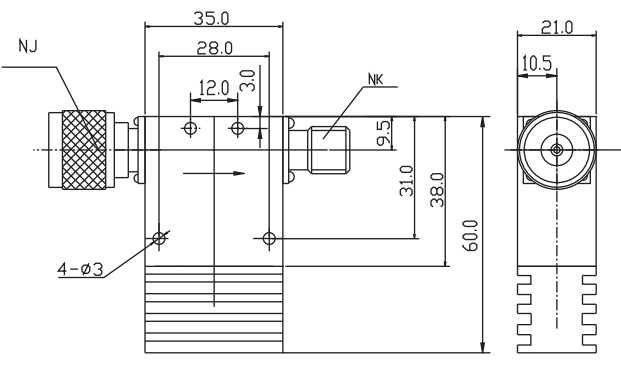


500 Lake Cook Road, Suite 350, Deerfield, IL 60015, USA
 Tel: (888)236-9828/ 1(630)930-9917 Fax: 1(630)823-2902
 Website: www.jqlelectronics.com email: sales@jqlelectronics.com

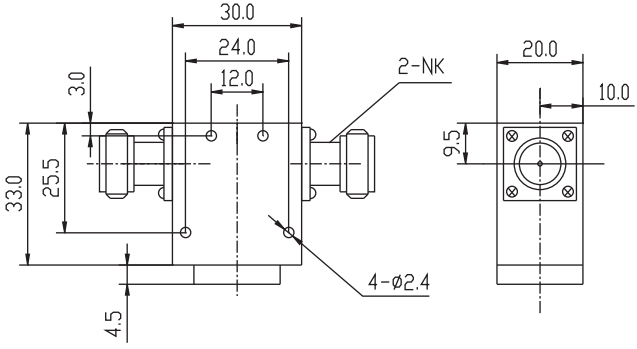
COAXIAL ISOLATOR



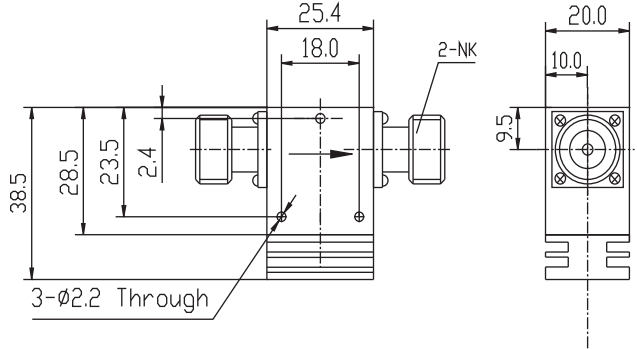
IC03-COAXIAL ISOLATOR



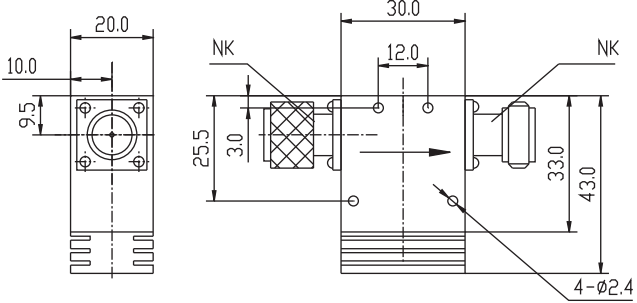
IC04-COAXIAL ISOLATOR



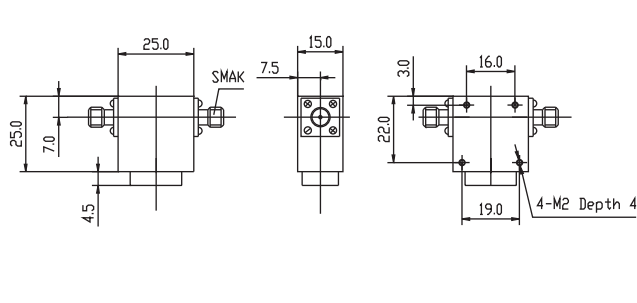
IC05-COAXIAL ISOLATOR



IC06-COAXIAL ISOLATOR



IC07-COAXIAL ISOLATOR

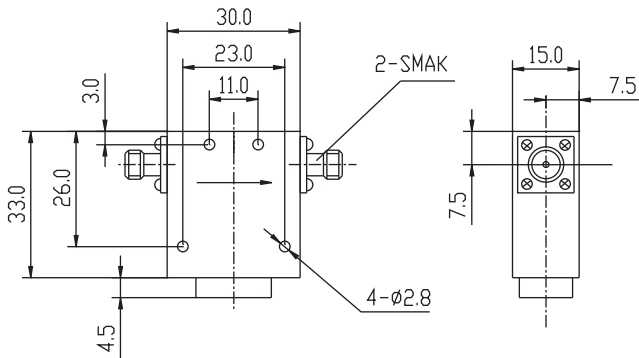


IC08-COAXIAL ISOLATOR

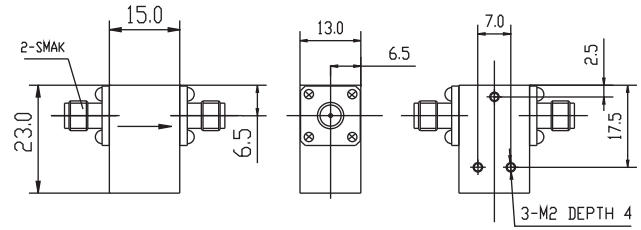


JQL ELECTRONICS INC.
 1-888-236-9828 (USA) 1-630-930-9917 (International) sales@jqlelectronics.com

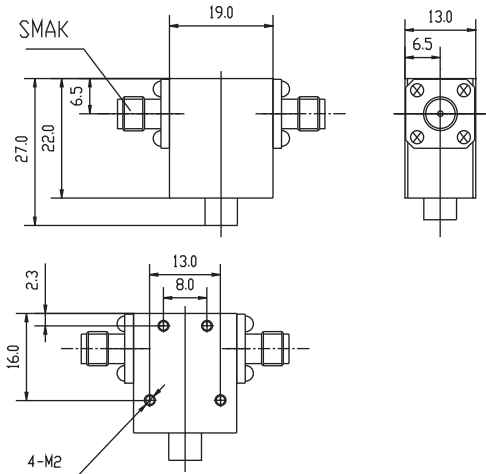
COAXIAL ISOLATOR



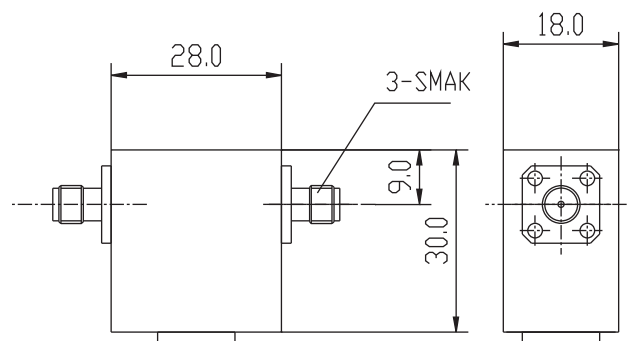
IC09-COAXIAL ISOLATOR



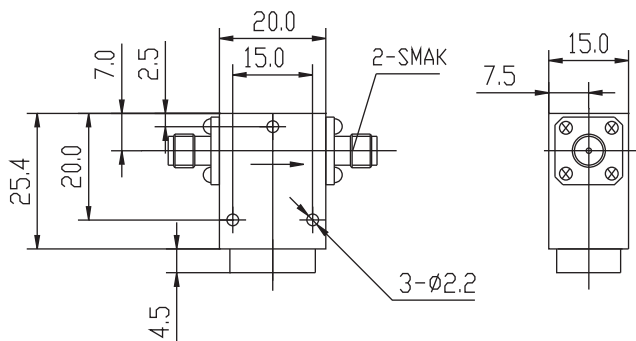
IC10-COAXIAL ISOLATOR



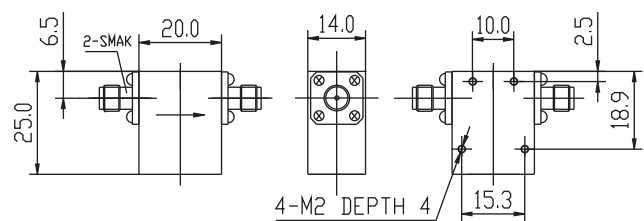
IC11-COAXIAL ISOLATOR



IC12-COAXIAL ISOLATOR

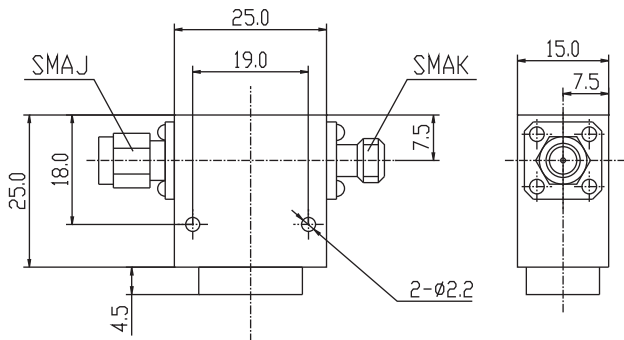


IC13-COAXIAL ISOLATOR

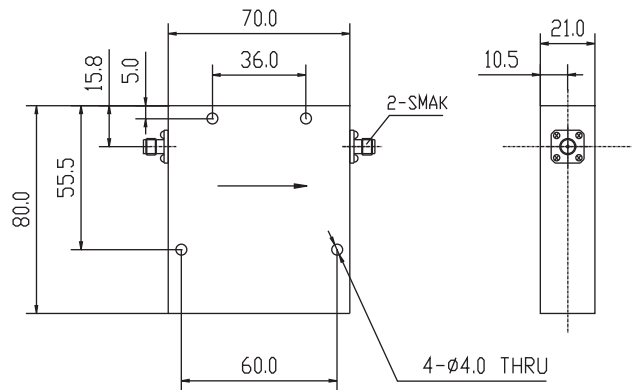


IC14-COAXIAL ISOLATOR

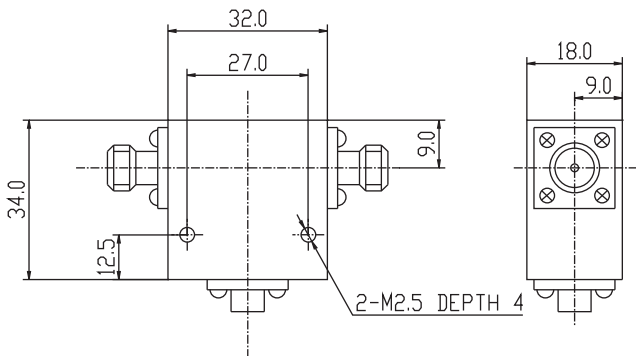
COAXIAL ISOLATOR



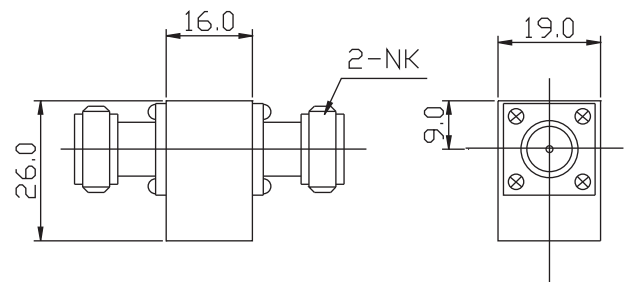
IC15-COAXIAL ISOLATOR



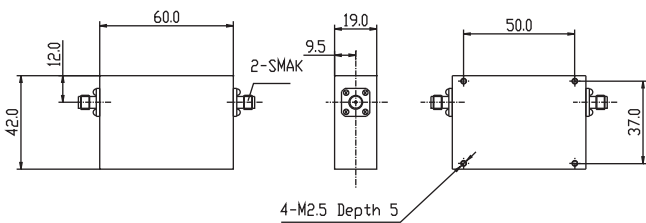
IC16-COAXIAL ISOLATOR



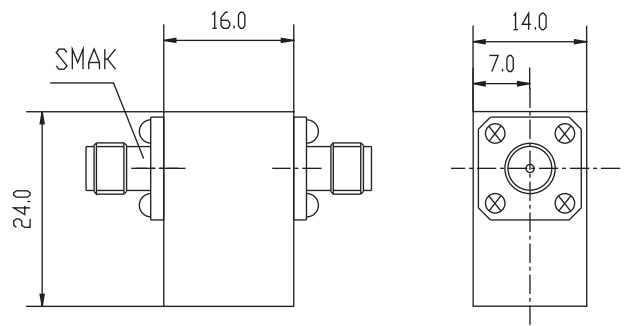
IC17-COAXIAL ISOLATOR



IC18-COAXIAL ISOLATOR

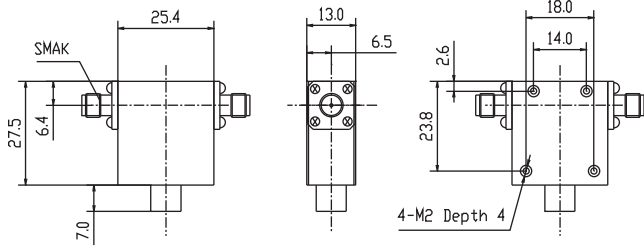


IC19-COAXIAL ISOLATOR

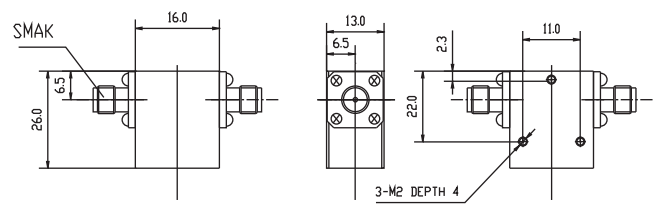


IC20-COAXIAL ISOLATOR

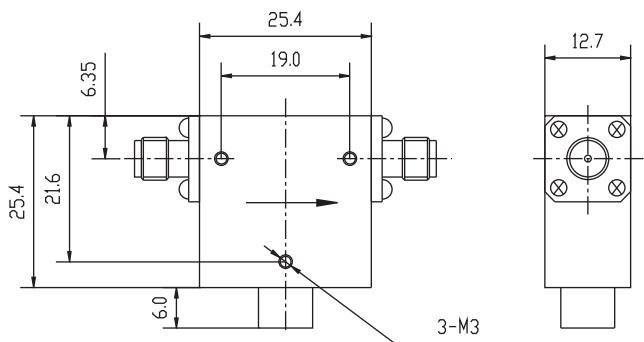
COAXIAL ISOLATOR



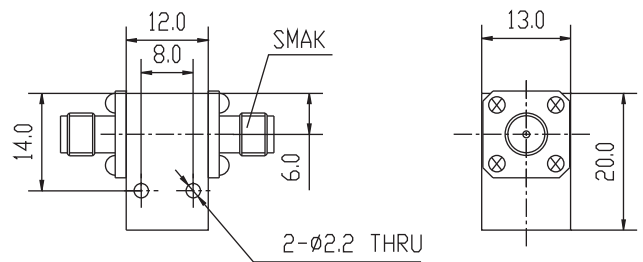
IC21-COAXIAL ISOLATOR



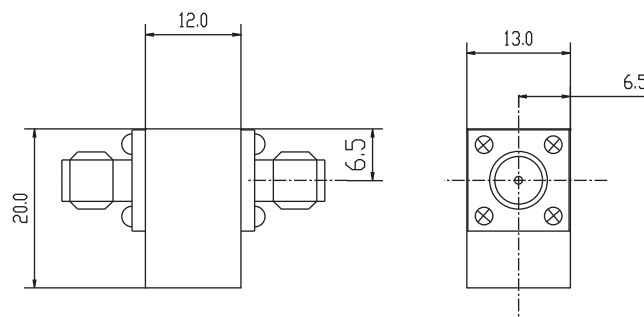
IC22-COAXIAL ISOLATOR



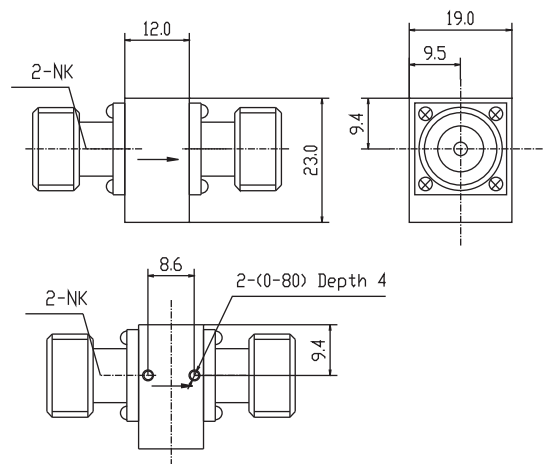
IC23-COAXIAL ISOLATOR



IC24-COAXIAL ISOLATOR



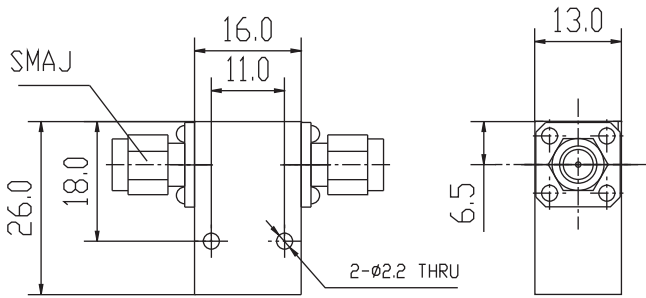
IC25-COAXIAL ISOLATOR



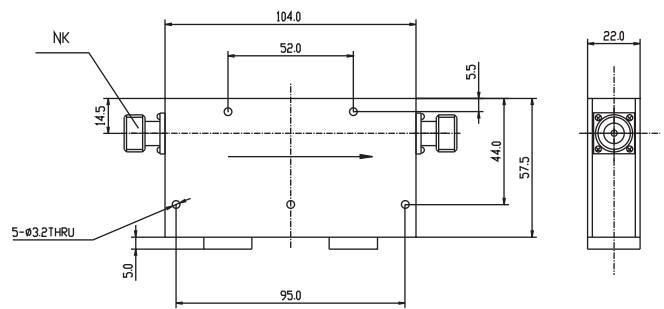
IC26-COAXIAL ISOLATOR



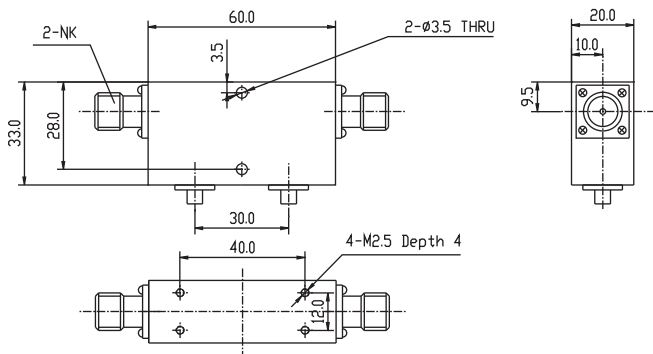
COAXIAL ISOLATOR



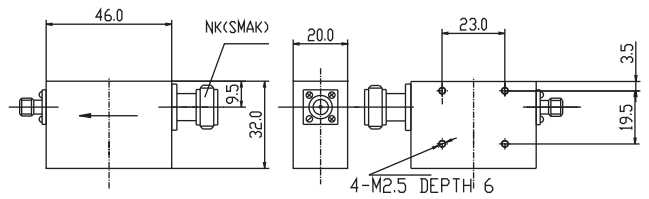
IC27-COAXIAL ISOLATOR



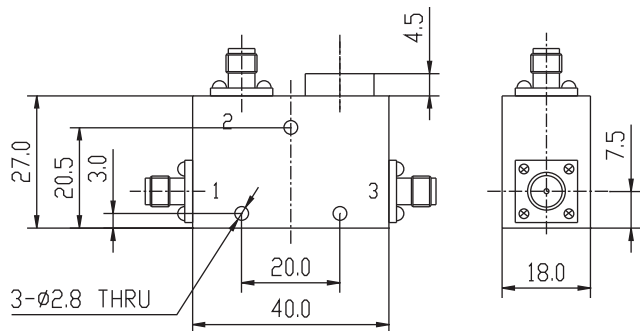
IC28-COAXIAL ISOLATOR



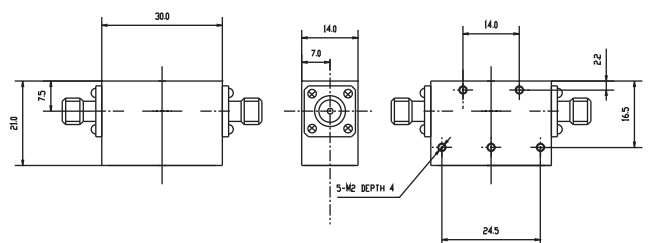
IC29-COAXIAL ISOLATOR



IC30-COAXIAL ISOLATOR

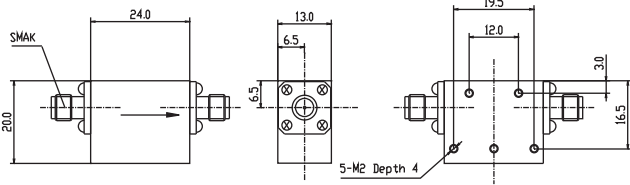


IC31-COAXIAL ISOLATOR

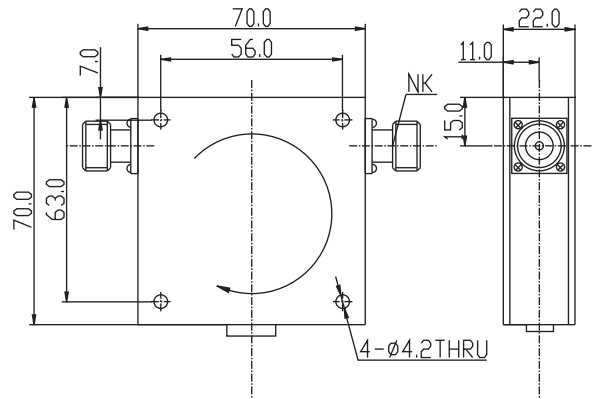


IC32-COAXIAL ISOLATOR

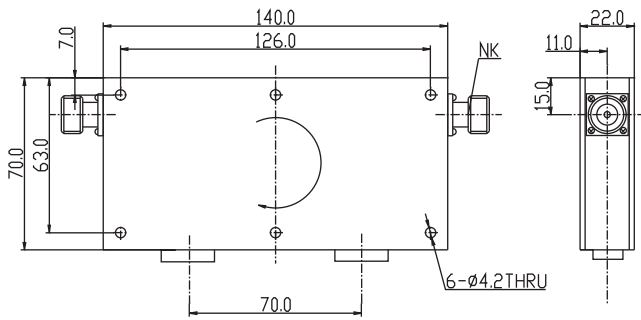
COAXIAL ISOLATOR



IC33-COAXIAL ISOLATOR



IC34-COAXIAL ISOLATOR



IC35-COAXIAL ISOLATOR

