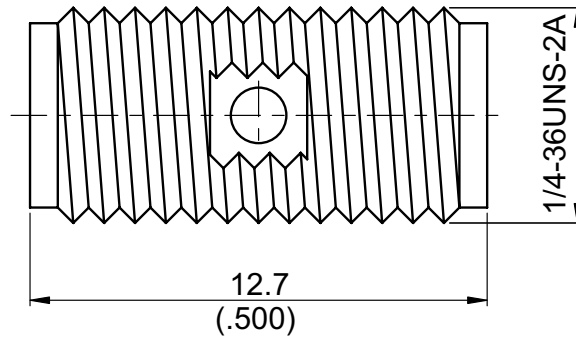


ADSG-A8A8

Gold Plated Stainless SMA Jack to SMA Jack 50Ω



Typical VSWR

Part Number	1~2 GHz	3~7 GHz	8 GHz	9 GHz	10~18 GHz
ADSG-A8A8	1.03	1.06	1.15	1.17	1.19

Parts	Material	Plating (Micro-inch)
Contact Pin	Beryllium Copper	Gold 20 Over Nickel 50 Over Copper 50
Insulator	Teflon	
Body	Stainless	Gold 5 Over Nickel 50 Over Copper 50

Weight: 1.99 g

This part number complies with RoHS.

Notice: JYEBAO reserves the right to make modifications deemed appropriate.