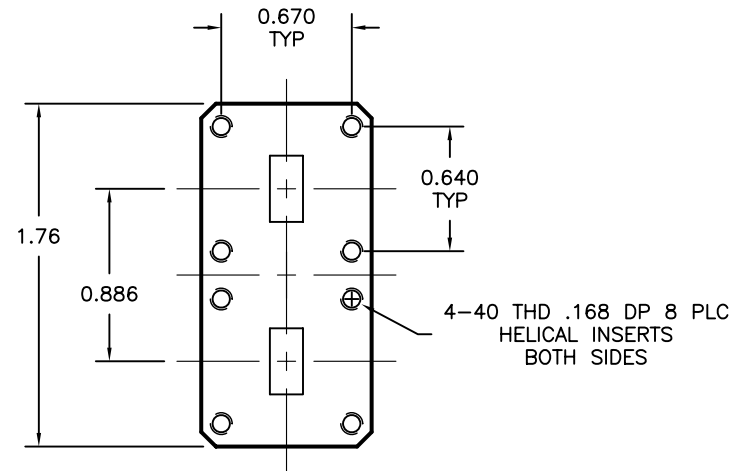
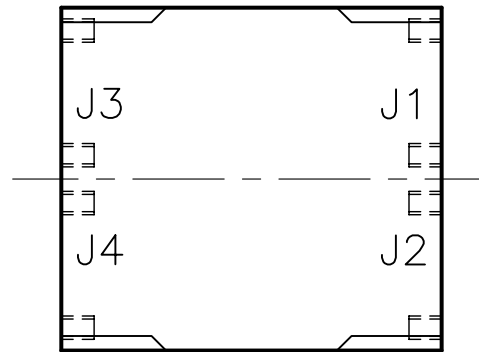
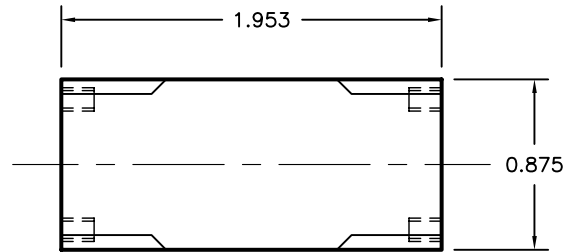


REV A	AUTH RL	DATE 08/08/07	INITIAL RELEASE
----------	------------	------------------	-----------------



MODEL SPECIFICATIONS

MECHANICAL MODEL NUMBER	34-261X-W-6-6-6-6
MATERIAL:	ALUM./BRASS PER ORDER
FINISH:	CHEM FILM
FLANGES:	WR34 STD CVR W/ HELICAL INSERTS
ELECTRICAL FREQ. RANGE:	26.3-26.7 GHz
VSWR:	1.15 MAX.
ISOLATION:	20dB MIN.

THIRD ANGLE PROJECTION:		APPROVALS	DATE		ADVANCED TECHNICAL MATERIALS, INC. TEL: (631) 289-0363 FAX: (631) 289-0358 www.atmmicrowave.com		THE INFORMATION IN THIS DRAWING IS PROPRIETARY AND SHALL NOT BE USED OR DISCLOSED WITHOUT THE PRIOR WRITTEN CONSENT OF ATM, INC. DO NOT SCALE DWG.
UNLESS OTHERWISE NOTED, DIMENSIONS ARE IN INCHES, TOLERANCES ARE: FRACTIONS: ±1/64 ANGLES: ±1/2°		DRAWN RL	08/08/07		OUTLINE, WR34 HYBRID COUPLER, STYLE W		
BASIC DIMENSION	DECIMALS 2 PLACE 3 PLACE	APRVD.		SIZE A	CAGE CODE 0R8N4	ATM DWG # 8155W	REVISION A
UNDER 6"	±.02 ±.005	MATERIAL SEE NOTES		SCALE 1 : 1	MODEL # SEE NOTES		SHEET 1/1
6" - 12"	±.03 ±.010	TREATMENT -					
OVER 12"	±.06 ±.015	FINISH SEE NOTES					