



7/16 DIN Male to 7/16 DIN Female Right Angle Adapter

TECHNICAL DATA SHEET

PE91117

**7/16 DIN Male to 7/16 DIN Female Right Angle Adapter**

**Configuration**

Connector 1	7/16 DIN Male
Impedance 1	50 Ohms
Connector 2	7/16 DIN Female
Impedance 2	50 Ohms
Adapter Design	Standard
Body Style	Right Angle

**Electrical Specifications**

Frequency Range, GHz	DC to 6
Maximum VSWR	1.25:1

**Mechanical Specifications**

**Temperature**

Operating Range, deg C	-40 to +120
------------------------	-------------

**Size**

Length, in [mm]	2.157 [54.79]
Width/Dia., in [mm]	1.85 [46.99]
Height, in [mm]	1.26 [32]

**Connector 1**

Type	7/16 DIN Male
Inner Conductor Material and Plating	Brass, Silver
Coupling Nut Material and Plating	Brass, Tri-Metal
Hex Size, in.	1 1/4
Body Material and Plating	Brass, Tri-Metal
Dielectric Type	PTFE

**Connector 2**

Type	7/16 DIN Female
Inner Conductor Material and Plating	Brass, Silver
Body Material and Plating	Brass, Tri-Metal
Dielectric Type	PTFE

**Compliance Certifications** (visit [www.Pasternack.com](http://www.Pasternack.com) for current document)

RoHS Compliant	Yes
----------------	-----

Click the following link (or enter part number in "SEARCH" on website) to obtain additional part information including price, inventory and certifications: [7/16 DIN Male to 7/16 DIN Female Right Angle Adapter PE91117](#)

The information contained in this document is accurate to the best of our knowledge and representative of the part described herein. It may be necessary to make modifications to the part and/or the documentation of the part, in order to implement improvements. Pasternack reserves the right to make such changes as required. Unless otherwise stated, all specifications are nominal.





## 7/16 DIN Male to 7/16 DIN Female Right Angle Adapter

### TECHNICAL DATA SHEET

PE91117

#### Plotted and Other Data

Notes:

Values at 25 °C, sea level

7/16 DIN Male to 7/16 DIN Female Right Angle Adapter from Pasternack Enterprises has same day shipment for domestic and International orders. Our RF, microwave and fiber optic products maintain a 99% availability and are part of the broadest selection in the industry.

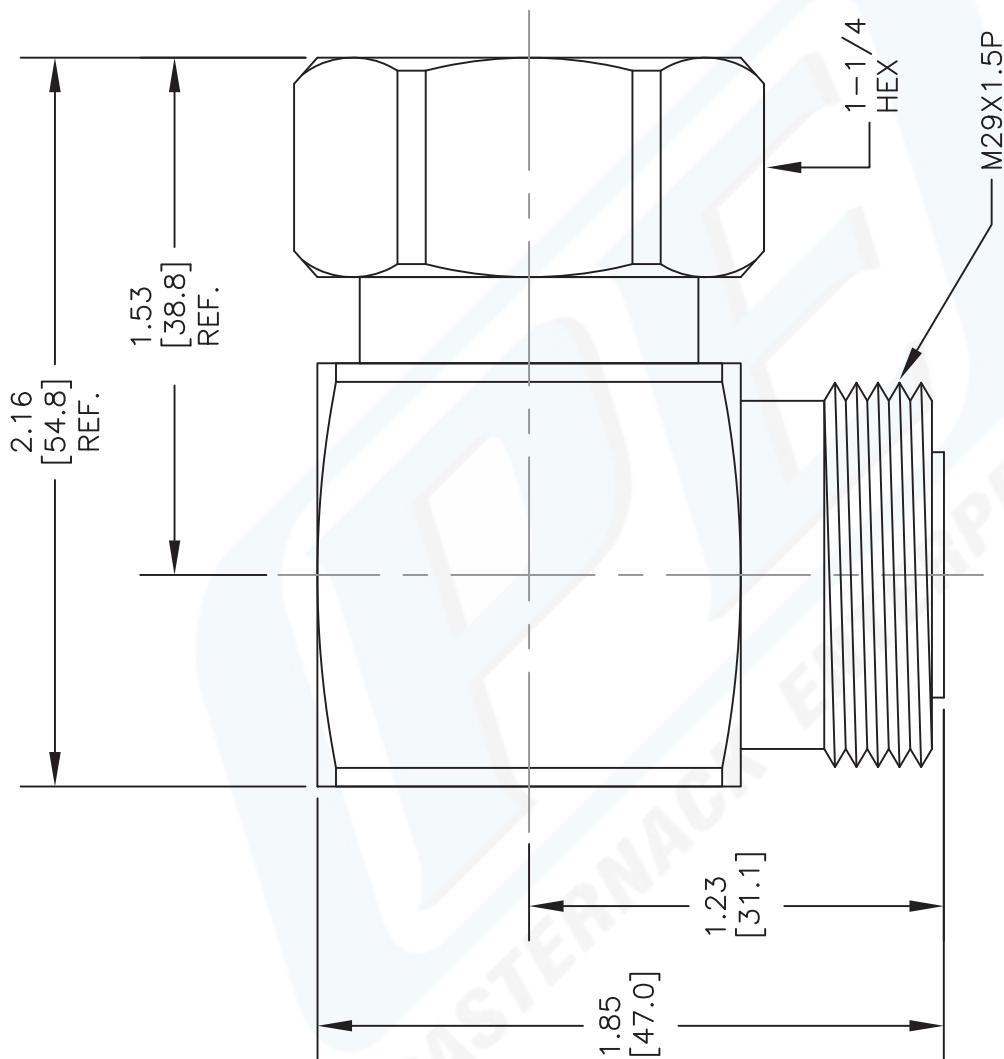
Click the following link (or enter part number in "SEARCH" on website) to obtain additional part information including price, inventory and certifications: [7/16 DIN Male to 7/16 DIN Female Right Angle Adapter PE91117](http://www.pasternack.com/7-16-male-7-16-female-right-angle-adapter-pe91117)

URL: <http://www.pasternack.com/7-16-male-7-16-female-right-angle-adapter-pe91117-p.aspx>

The information contained in this document is accurate to the best of our knowledge and representative of the part described herein. It may be necessary to make modifications to the part and/or the documentation of the part, in order to implement improvements. Pasternack reserves the right to make such changes as required. Unless otherwise stated, all specifications are nominal.

# PE91117 CAD Drawing

7/16 DIN Male to 7/16 DIN Female Right Angle Adapter



NOTES:  
 1. UNLESS OTHERWISE SPECIFIED ALL DIMENSIONS ARE NOMINAL.  
 2. ALL SPECIFICATIONS ARE SUBJECT TO CHANGE WITHOUT NOTICE AT ANY TIME.  
 3. DIMENSIONS ARE IN INCHES [mm].

DWG TITLE  
**PE91117**

FSCM NO. 53919

CAD FILE 120313

SCALE N/A

SIZE A

2233

**PE PASTERNAK®**  
 Pasternack Enterprises, Inc.  
 P.O. Box 16759 | Irvine | CA | 92623  
**Phone:** (949) 261-1920 | **Fax:** (949) 261-7451  
**Website:** www.pasternack.com | **E-Mail:** sales@pasternack.com