

TERMINATION 6GHZ N-FEMALE

STN0614

SPECIFICATIONS

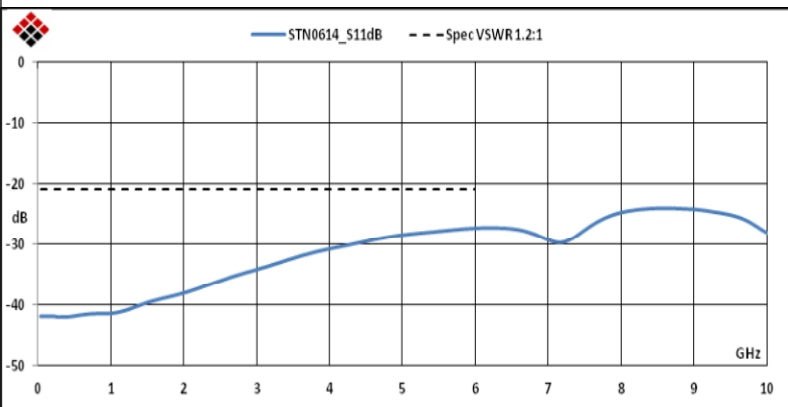
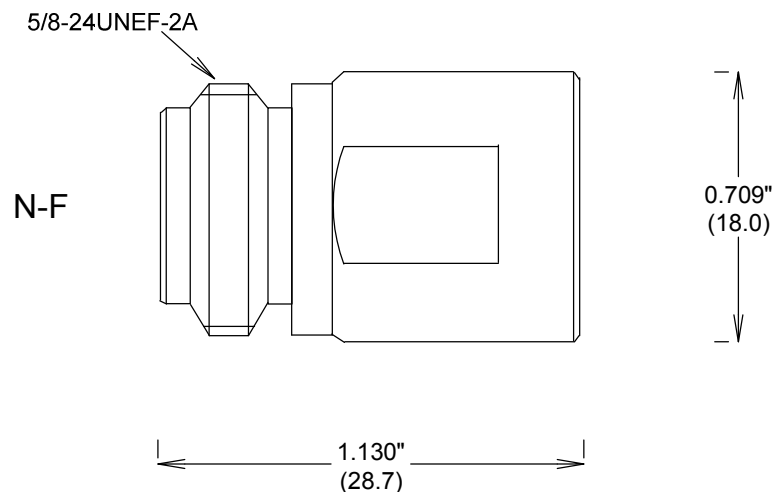
ELECTRICAL:

FREQUENCY: 0-6 GHZ
 VSWR @ 6 GHZ: 1.2:1 MAX
 POWER (AVG) 2 WATTS @ 25 DEG C
 POWER (PEAK) 250W
 IMPEDANCE: 50 OHMS
 OP. TEMP RANGE: -55C- +125C

MECHANICAL:

MATERIAL BODY: BRASS
 BODY PLATING : TRIMETAL (TIN/ZINC/COPPER)
 CENTER CONTACT: Au PLATED BeCu 30μ-in
 INTERFACE: MIL-STD-883

ROHS COMPLIANT



ALL DIMENSIONS IN inches(MM) Typical

FAIRVIEW MICROWAVE INC.

ALLEN, TX 75013 WWW.FAIRVIEWMICROWAVE.COM

TITLE

TERMINATION 6GHZ N-FEMALE

SIZE A	CAGE CODE 3FKR5	DWG NO STN0614	REV B
------------------	---------------------------	--------------------------	-----------------

SCALE	SHEET
-------	-------