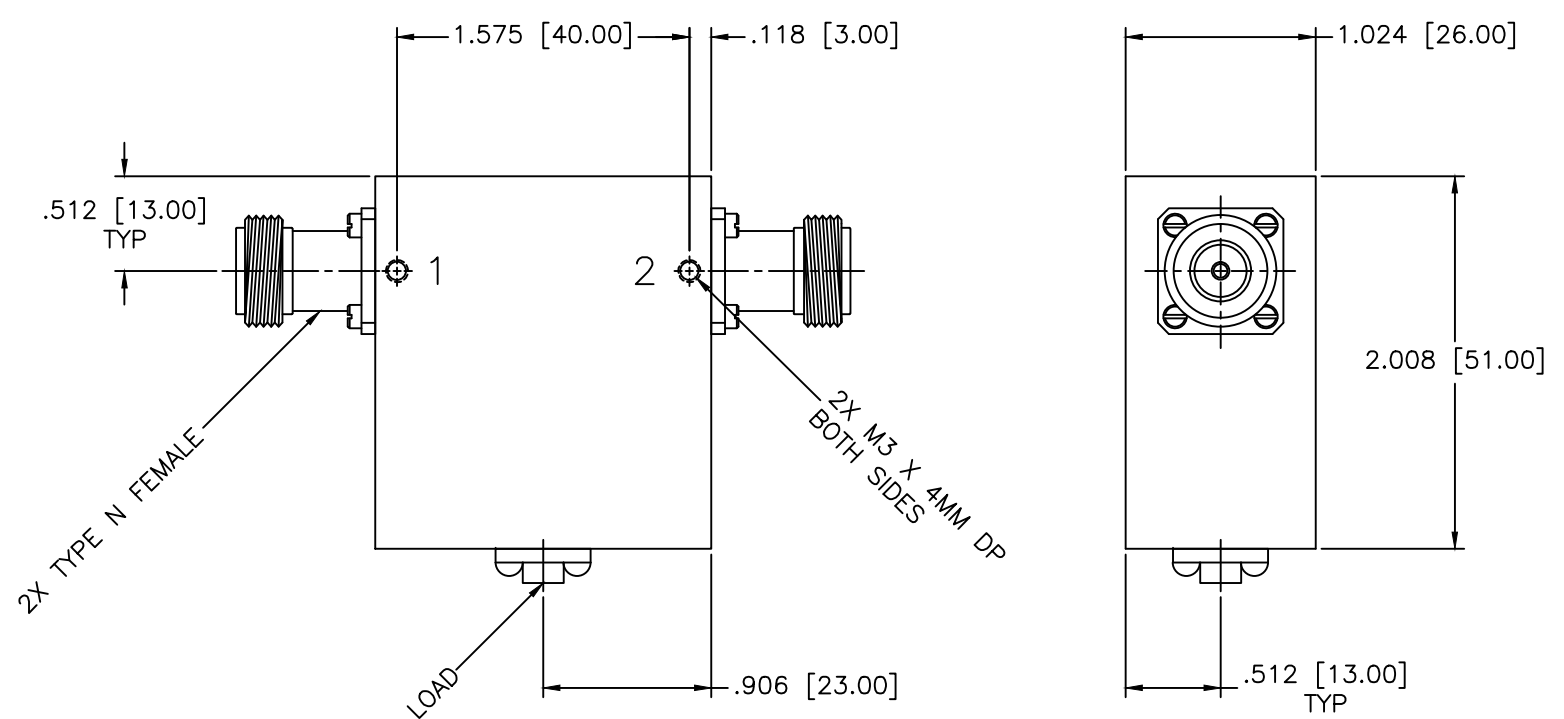


REVISIONS				
ZONE	REV	DESCRIPTION	Date	APPROVED



SPECIFICATIONS

Frequency Range: 450–550 MHz
 VSWR: 1.25:1 Max.
 Insertion Loss: 0.30dB Max.
 Isolation: 20dB Min.
 Operating Temperature: -15°C to +60°C

MATERIAL:		MCLI MICROWAVE COMMUNICATIONS LABORATORIES INC. 7255 30TH AVE. N. SAINT PETERSBURG, FL 33710 TEL: (727) 344-6254 FAX: (727) 381-6116 http://www.mcli.com	SCALE:	N/A
			SHEET:	N/A
UNLESS OTHERWISE SPECIFIED: TOLERANCES IN (INCHES) OR (mm) (MILLIMETERS) FRACTIONS: ± 1/64 DECIMALS: ±.02 ±.009 ANGLE: ±1/2°		DRAWING TITLE: COAXIAL ISOLATOR		
DRAWN: Paiboon Luekhamhan		PART NO. IS-183/NF		
DATE: 11-21-2013		CAGE CODE: OD2L5		
APPROVED: T. Nguyen		DATE: 11-21-2013		SIZE: A
		REV: N/A		DWG NO. 86419
		DO NOT SCALE THE DRAWING		

THIRD ANGLE PROJECTION