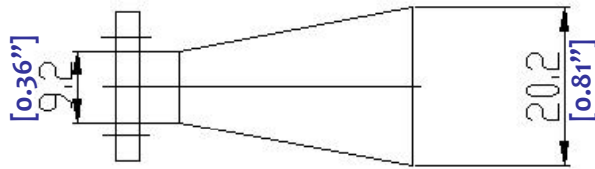
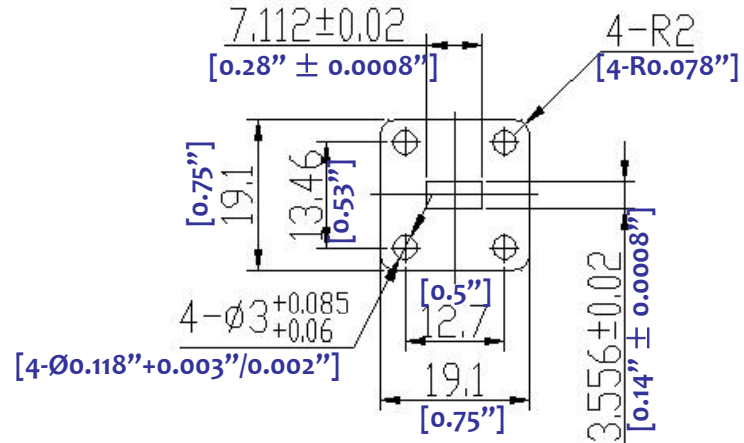
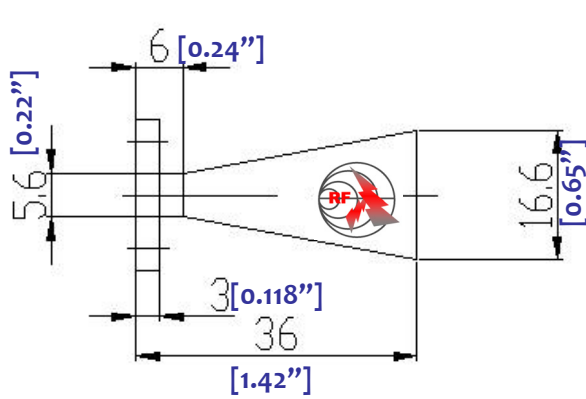



WR28 WAVEGUIDE STANDARD GAIN HORN ANTENNA – RW28HORN15A



3.0 Electrical Specifications		
3.1	Frequency Range	18-26.5GHz
3.2	Gain	15.5dB
3.2	VSWR	1.5:1 (max)

1.0 Mechanical Specifications		
1.1	Waveguide type	Rectangular Waveguide WR28
1.2	Flange type	CPRF, COVER
1.3	Flange Holes	Through
1.4	Basis-material	Brass
1.5	Internal Body Finish	Silver Plated chromate or conversion
1.6	External Body Finish	Body painted with gray/black epoxy enamel

2.0 Environment specifications		
2.1	Operation Temp.	-40°C~+70°C
2.2	Storage Temp.	-50°C~+125°C
2.3	Altitude	45000 ft
2.4	Vibration	10g rms (15 degree 2KHz)
2.5	Humidity	100% RH at 35c, 95%RH at 40 deg c
2.6	Shock	20G for 11msc

PAGE 1 OF 1		DATE	Jun 21 st 2006
 RW28HORN15A WAVEGUIDE HORN ANTENNA		DESIGN	RFPC
		RF-LAMBDA	RFPC
		CAD MODEL REVISION	11
		ASSEMBLY REVISION	V55DS
www.rflambda.com		ASSEMBLY NAME	RFLVR05
RF-LAMBDA		DRAWING NUMBER	D05-1
SIZE	LT	SHEETS	1 OF 1