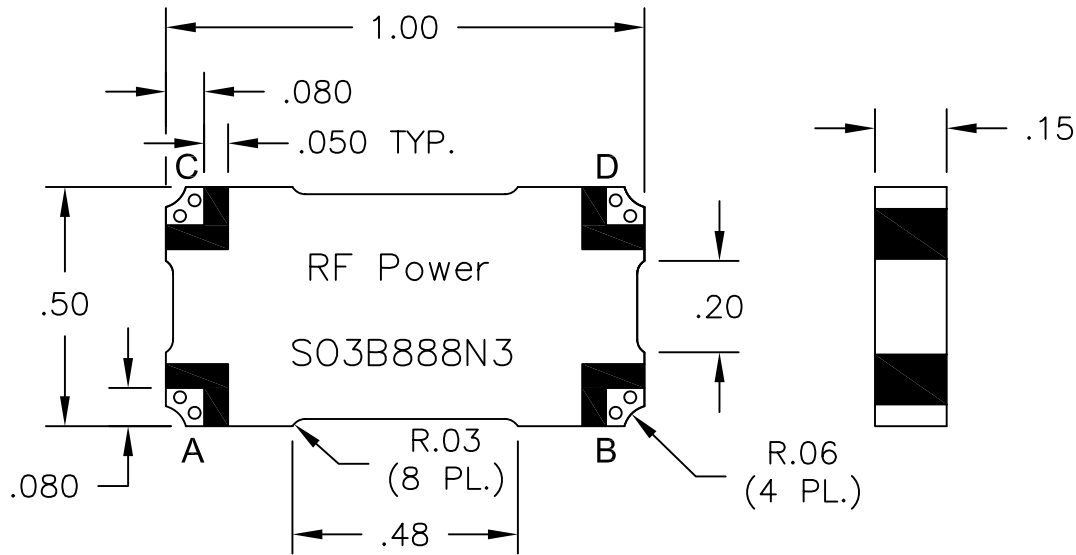


RFP-4424-04

REVISIONS

REV	RCN	DESCRIPTION	DATE	APP
D		CONVERTED FROM RFP TO AMI	05/04	J.C.



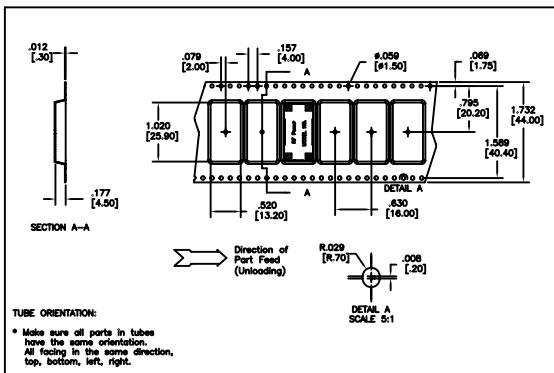
ELECTRICAL SPECIFICATIONS	
AS PER 90° SPEC-DEF	
FREQ:	815-960 MHz.
INSERTION LOSS:	< 0.15dB
V.S.W.R. :	< 1.25:1
ISOLATION:	> 20dB
AMPLITUDE BALANCE:	±0.3dB
PHASE BALANCE:	±1.5°
POWER:	300 WATT
TEMPERATURE:	-55 TO 85°C



-AVAILABLE IN THIS CASE STYLE-
R.F.P. CASE: S.M.D. "B"

PORT CONFIGURATION				
INPUT	A	B	C	D
A	—	ISOLATION	-3dB<0°	-3dB<-90°
B	ISOLATION	—	-3dB<-90°	-3dB<0°
C	-3dB<0°	-3dB<-90°	—	ISOLATION
D	-3dB<-90°	-3dB<0°	ISOLATION	—

NOTES:
1. FINISH: TIN-LEAD
2. TAPE & REEL TO BE 44 MM @ #4 PITCH.



THIS DRAWING CONTAINS PROPRIETARY INFORMATION ANY REPRODUCTION, DISCLOSURE OR USE OF THIS DRAWING IS EXPRESSLY PROHIBITED EXCEPT AS OTHERWISE AUTHORIZED IN WRITING.	DRN BY	D.G.	DATE	2.27.01
	CHKD BY	GS		3/01
	ENG.	TJD		3/01
	MFG.	NE		3/01
MATERIAL	— —			
FINISH	— —			
UNLESS OTHERWISE SPECIFIED DIMENSIONS ARE IN INCHES. TOLERANCES ON DECIMALS .XX±.01 .XXX±.005				

RF POWER				
SUBSIDIARY OF ANAREN MICROWAVE				
OUTLINE				
SMD 90° COUPLER				
815-960 MHz. 300 WATT				
SIZE	CAGE CODE	REV.		
B	31597	RFP-4424-04		D
SCALE	4:1	DOC CODE	3	SHEET 1 OF 1

55
5
Dist