



EUROPEAN ANTENNAS

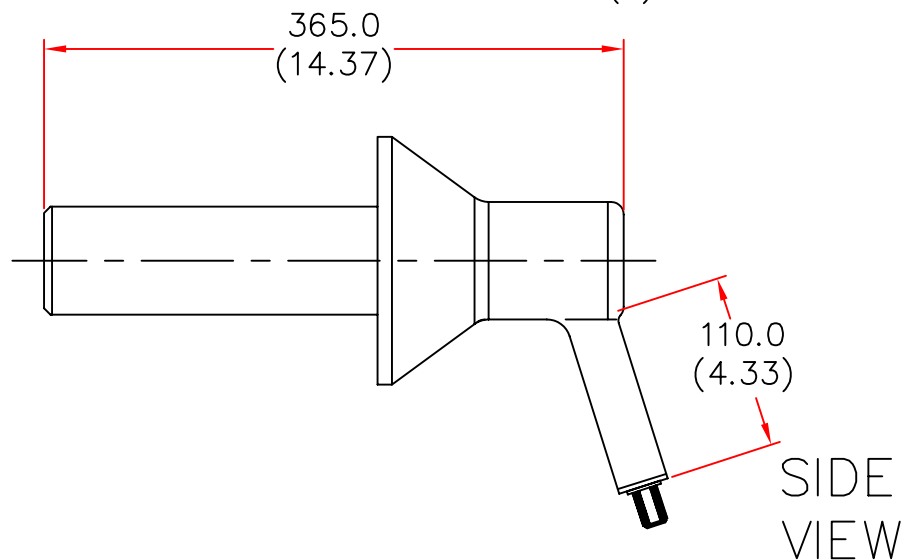
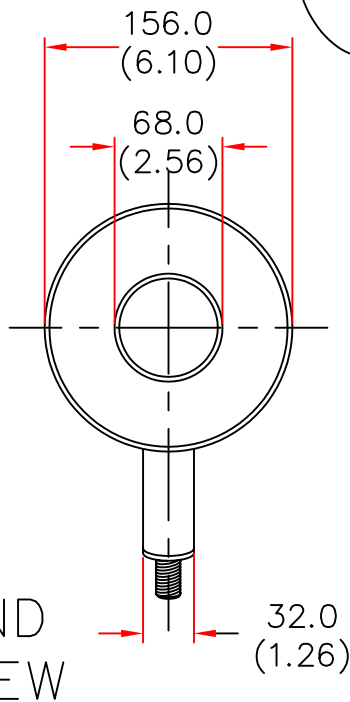
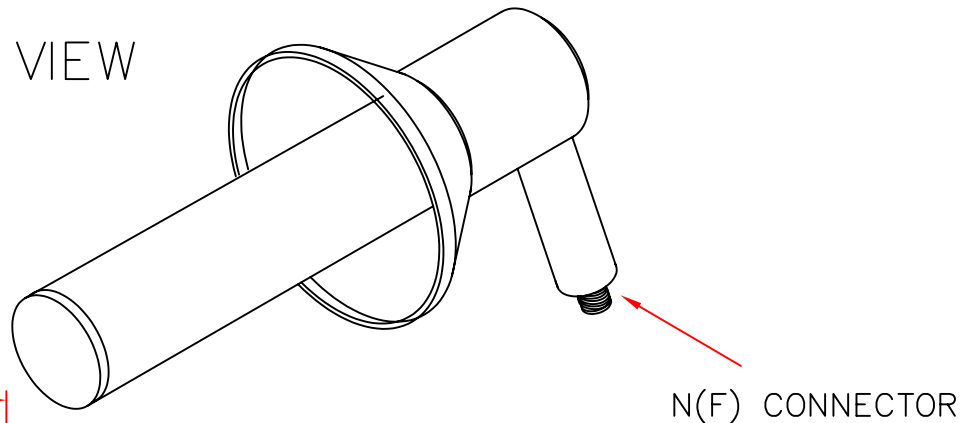


HAND HELD HELIX ANTENNA

MODEL: AMHH8-13R/030

FREQUENCY: 1.0 – 1.4 GHz	GAIN: 8 – 10 dBic Over band
POLARISATION: R.H. Circular	BEAMWIDTH: 60° x 60° Typical
AXIAL RATIO: 2 dB	VSWR: 1.5 : 1
POWER RATING: 20 W	FRONT TO BACK: 15 dB
TEMPERATURE: -20°C to +50°C	MASS: 0.5 Kg/1.1 lbs
FINISH: Matt Black	WIND LOADING: N/A

ISOMETRIC VIEW



DIMENSIONS: mm (inches)

GA 0030-1 Issued 170697

EUROPEAN ANTENNAS LTD.

TEL: +44 (0)1638 731888

LAMBDA HOUSE, CHEVELEY,
NEWMARKET, SUFFOLK, CB8 9RG,
UNITED KINGDOM.

FAX: +44 (0)1638 731999

European Antennas Ltd. has a policy of continuous development and therefore stress that the data contained on this sheet should be used for guidance only.