



Precision SMA Female to SMP Male Adapter Full Detent

TECHNICAL DATA SHEET

PE91056

Configuration

Connector 1	SMA Female
Impedance 1	50 Ohms
Connector Specification 1	MIL-STD-348
Connector 2	SMP Male
Impedance 2	50 Ohms
Connector Specification 2	DESC94007
Adapter Design	Precision
Body Style	Straight

Electrical Specifications

Frequency Range	DC to 26.5 GHz
Maximum VSWR	1.2:1

Mechanical Specifications

Size

Length, in [mm]	0.78 [19.81]
Width/Dia., in [mm]	0.278 [7.06]

Connector 1

Type	SMA Female
Mating Cycles	100
Inner Conductor Material and Plating	Beryllium Copper, Gold
Inner Conductor Plating Specification	MIL-G-45204, Type I, Grade C, Class 1
Body Material and Plating	Passivated Stainless Steel
Body Plating Specification	AMS-QQ-P-35
Dielectric Type	PTFE

Connector 2

Type	SMP Male
Mating Cycles	100
Inner Conductor Material and Plating	Beryllium Copper, Gold
Inner Conductor Plating Specification	MIL-G-45204, Type I, Grade C, Class 1
Body Material and Plating	Passivated Stainless Steel
Body Plating Specification	AMS-QQ-P-35
Dielectric Type	PTFE

Environmental Specifications

Temperature

Operating Range	-55 to +125 deg C
-----------------	-------------------

Compliance Certifications (visit www.Pasternack.com for current document)

RoHS Compliant

Click the following link (or enter part number in "SEARCH" on website) to obtain additional part information including price, inventory and certifications: [Precision SMA Female to SMP Male Adapter Full Detent PE91056](#)





Precision SMA Female to SMP Male Adapter Full Detent

TECHNICAL DATA SHEET

PE91056

Plotted and Other Data

Notes:

- Values at +25 °C, sea level

Precision SMA Female to SMP Male Adapter Full Detent from Pasternack Enterprises has same day shipment for domestic and International orders. Our RF, microwave and millimeter wave products maintain a 99% availability and are part of the broadest selection in the industry.

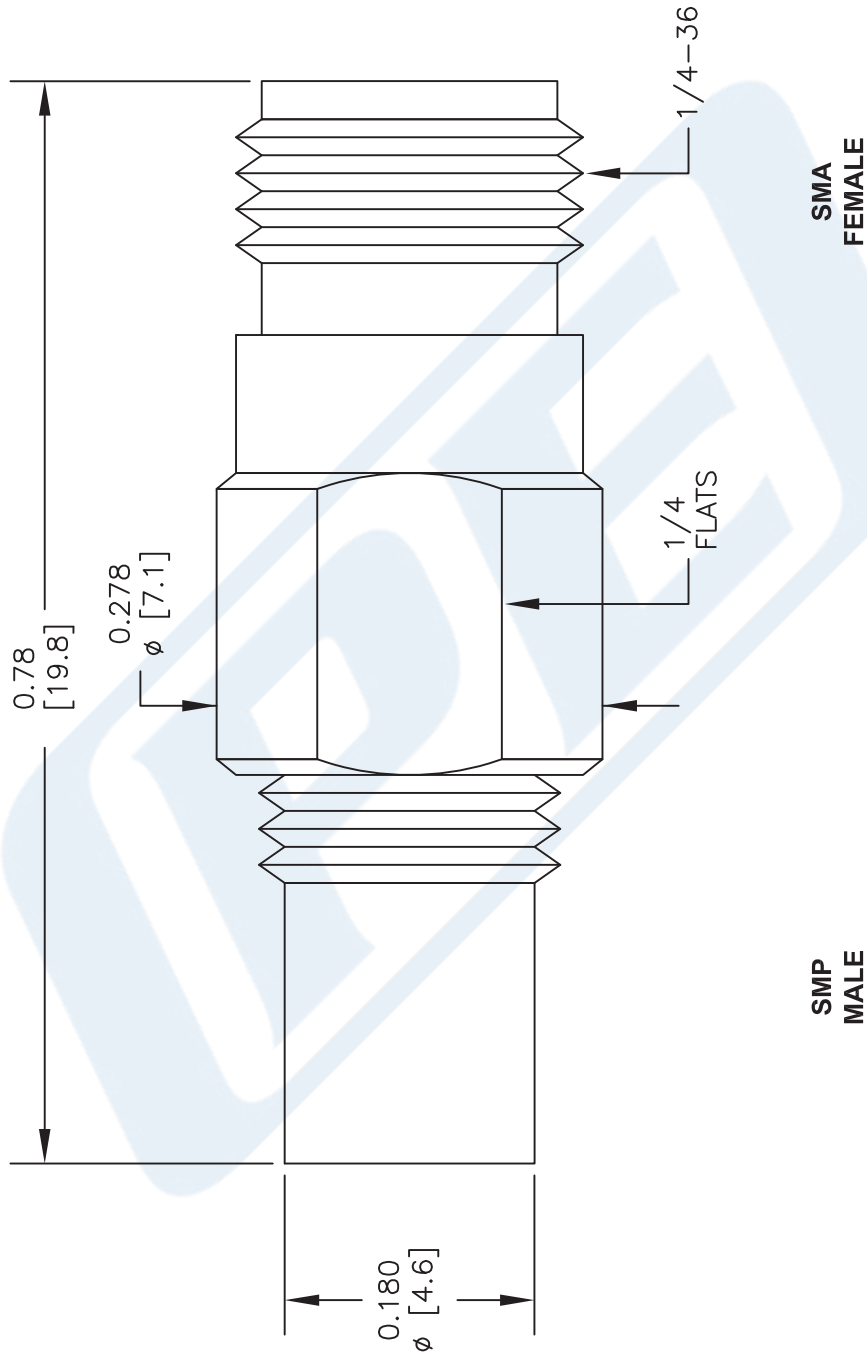
Click the following link (or enter part number in "SEARCH" on website) to obtain additional part information including price, inventory and certifications: [Precision SMA Female to SMP Male Adapter Full Detent PE91056](http://www.pasternack.com/sma-female-smp-male-straight-adapter-pe91056-p.aspx)

URL: <http://www.pasternack.com/sma-female-smp-male-straight-adapter-pe91056-p.aspx>

The information contained in this document is accurate to the best of our knowledge and representative of the part described herein. It may be necessary to make modifications to the part and/or the documentation of the part, in order to implement improvements. Pasternack reserves the right to make such changes as required. Unless otherwise stated, all specifications are nominal. Pasternack does not make any representation or warranty regarding the suitability of the part described herein for any particular purpose, and Pasternack does not assume any liability arising out of the use of any part or documentation.

PE91056 CAD Drawing

Precision SMA Female to SMP Male Adapter Full Detent



DWG TITLE

PE91056

NOTES:
 1. UNLESS OTHERWISE SPECIFIED ALL DIMENSIONS ARE NOMINAL.
 2. ALL SPECIFICATIONS ARE SUBJECT TO CHANGE WITHOUT NOTICE AT ANY TIME.
 3. DIMENSIONS ARE IN INCHES [mm].

FSCM NO. 53919

CAD FILE 020813

SCALE N/A

SIZE A

2233



Pasternack Enterprises, Inc.
 P.O. Box 16759 | Irvine | CA | 92623
Phone: (949) 261-1920 | **Fax:** (949) 261-7451
Website: www.pasternack.com | **E-Mail:** sales@pasternack.com