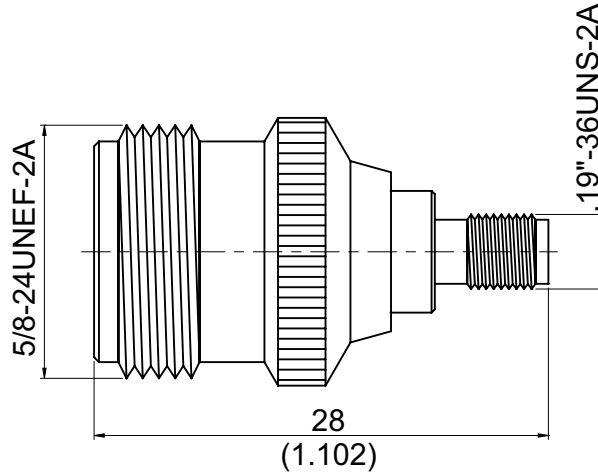


AD-N8SA8	N Jack To SSMA Jack	50Ω
----------	---------------------	-----



Typical VSWR

Part Number	1~2 GHz	3 GHz	4 GHz	5~8 GHz	9 GHz
AD-N8SA8	1.04	1.05	1.11	1.17	1.27

Parts	Material	Plating (Micro-inch)
Contact Pin	Beryllium Copper	Gold 20 Over Nickel 50 Over Copper 50
Insulator	Teflon	
Body (SSMA)	Brass	Gold 5 Over Nickel 50 Over Copper 50
Body (N)	Brass	Tin-Zinc-Copper-Alloy 100 Over Copper 50

Weight: 19.49 g

This part number complies with RoHS.

Notice: JYEBAO reserves the right to make modifications deemed appropriate.