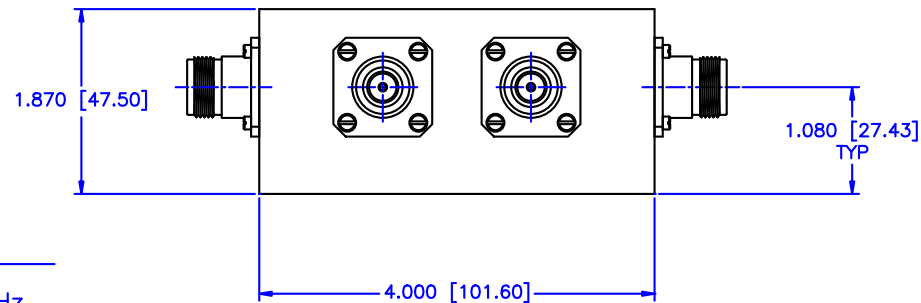
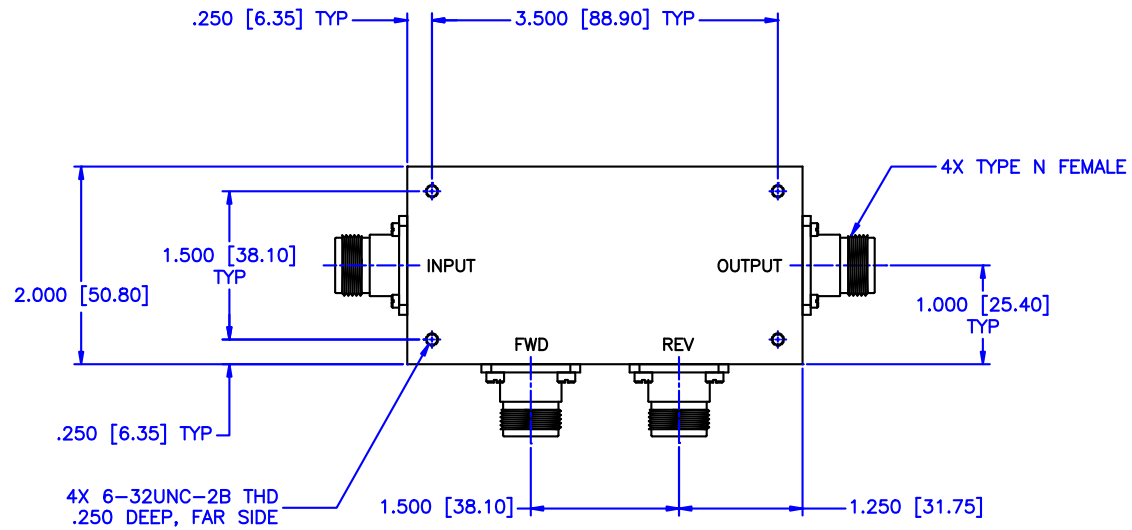


REVISIONS				
ZONE	REV	DESCRIPTION	DATE	APPROVED



SPECIFICATIONS:

FREQUENCY RANGE: 1.5–80 MHz
 COUPLING: 60dB
 FLATNESS: ± 0.5 dB
 INSERTION LOSS: 0.15dB Max.
 DIRECTIVITY: 20dB Min.
 VSWR PRIME LINE: 1.10:1 Max.
 POWER: 500 Watts CW

MATERIAL:		MCLI MICROWAVE COMMUNICATIONS LABORATORIES INC. 7255 30TH AVE. N. SAINT PETERSBURG, FL 33710 TEL: (727) 344-6254 FAX: (727) 381-6116 http://WWW.MCLI.COM	SCALE: N/A
DRAWN: Paiboon Luekhamhan			SHEET: N/A
DATE: 01-06-2011	DATE: 01-06-2011	UNLESS OTHERWISE SPECIFIED: TOLERANCES IN (INCHES) OR [mm] (MILLIMETERS) FRACTIONS: $\pm 1/64$ DECIMALS: $\pm 0.01 \pm 0.005$ ANGLE: $\pm 1/2^\circ$	DRAWING TITLE: HIGH POWER DUAL DIRECTIONAL COUPLER
APPROVED: T. Nguyen	DATE: 01-06-2011	PROPRIETARY NOTICE: THE INFORMATION IN THIS DRAWING IS PROPRIETARY AND SHALL NOT BE USED OR DISCLOSED WITHOUT WRITTEN PERMISSION FROM MICROWAVE COMMUNICATIONS LABORATORIES INC. (MCLI)	PART NO.: HDL-11-60
		THIRD ANGLE PROJECTION 	CAGE CODE: OD2L5 SIZE: C REV: N/A DWG NO.: 85199
		DO NOT SCALE THE DRAWING	