



50 Ohm 2 Watts Precision Brass TNC Male RF Load Up To 4 GHz

TECHNICAL DATA SHEET

PE6158

50 Ohm 2 Watts Precision Brass TNC Male RF Load Up To 4 GHz

Configuration

RF Load Design	Precision
Connector	TNC Male
Heat Sink	Brass, Nickel
Connection Method	Standard
Body Style	Straight

Electrical Specifications

Frequency Range, GHz	DC to 4
Impedance, Ohms	50
Maximum VSWR	1.15:1
Maximum Input Power, Watts	2

Mechanical Specifications

Size

Length, in [mm]	0.825 [20.96]
Width/Dia., in [mm]	0.59 [14.99]

Connector

Type	TNC Male
Inner Conductor Material and Plating	Gold
Coupling Nut Material and Plating	Brass, Nickel
Body Material and Plating	Brass, Nickel
Dielectric Type	PTFE

Compliance Certifications (visit www.Pasternack.com for current document)

Plotted and Other Data

Notes: Values at 25 °C, sea level

50 Ohm 2 Watts Precision Brass TNC Male RF Load Up To 4 GHz from Pasternack Enterprises has same day shipment for domestic and International orders. Our RF, microwave and fiber optic products maintain a 99% availability and are part of the broadest selection in the industry.

Click the following link (or enter part number in "SEARCH" on website) to obtain additional part information including price, inventory and certifications: [50 Ohm 2 Watts Precision Brass TNC Male RF Load Up To 4 GHz PE6158](http://www.pasternack.com/2-watts-tnc-male-rf-load-up-to-4-ghz-pe6158-p.aspx)

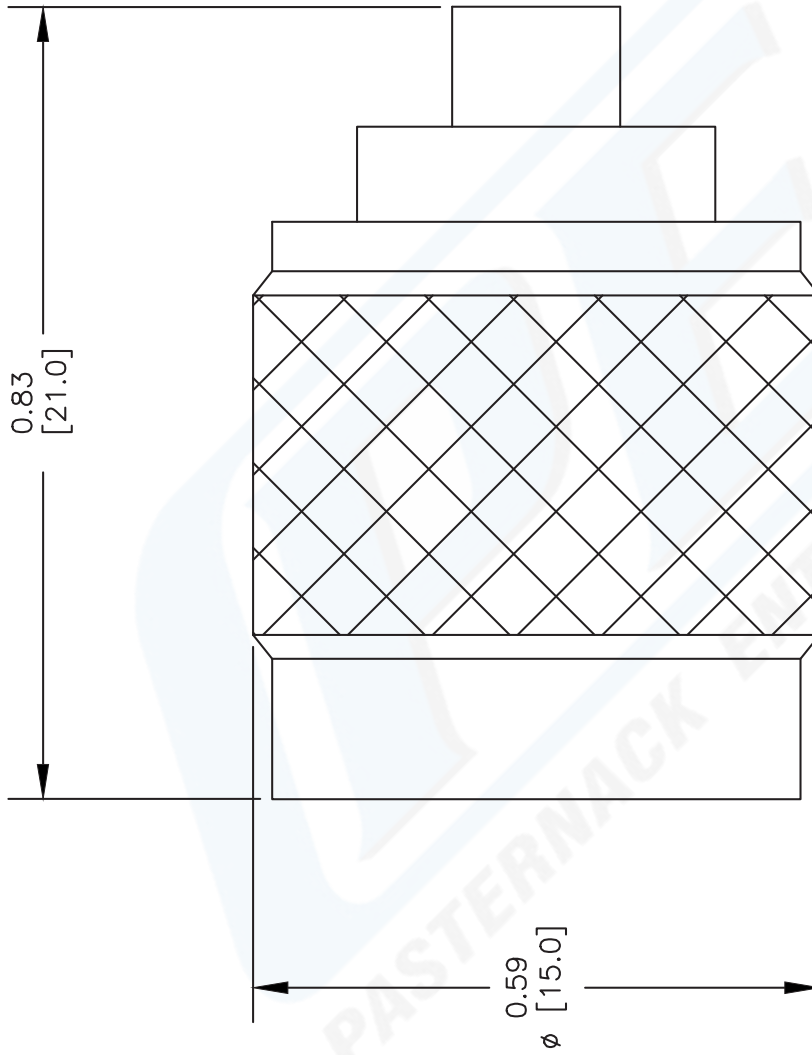
URL: <http://www.pasternack.com/2-watts-tnc-male-rf-load-up-to-4-ghz-pe6158-p.aspx>

The information contained in this document is accurate to the best of our knowledge and representative of the part described herein. It may be necessary to make modifications to the part and/or the documentation of the part, in order to implement improvements. Pasternack reserves the right to make such changes as required. Unless otherwise stated, all specifications are nominal.



PE6158 CAD Drawing

50 Ohm 2 Watts Precision Brass TNC Male RF Load Up To 4 GHz



NOTES:
1. UNLESS OTHERWISE SPECIFIED ALL DIMENSIONS ARE NOMINAL.
2. ALL SPECIFICATIONS ARE SUBJECT TO CHANGE WITHOUT NOTICE AT ANY TIME.
3. DIMENSIONS ARE IN INCHES [mm].

DWG TITLE
PE6158

REV. A FSCM NO. 53919

CAD FILE 022013-A

SCALE N/A

SIZE A

127

PE PASTERNAK®
Pasternack Enterprises, Inc.
P.O. Box 16759 | Irvine | CA | 92623
Phone: (949) 261-1920 | Fax: (949) 261-7451
Website: www.pasternack.com | E-Mail: sales@pasternack.com