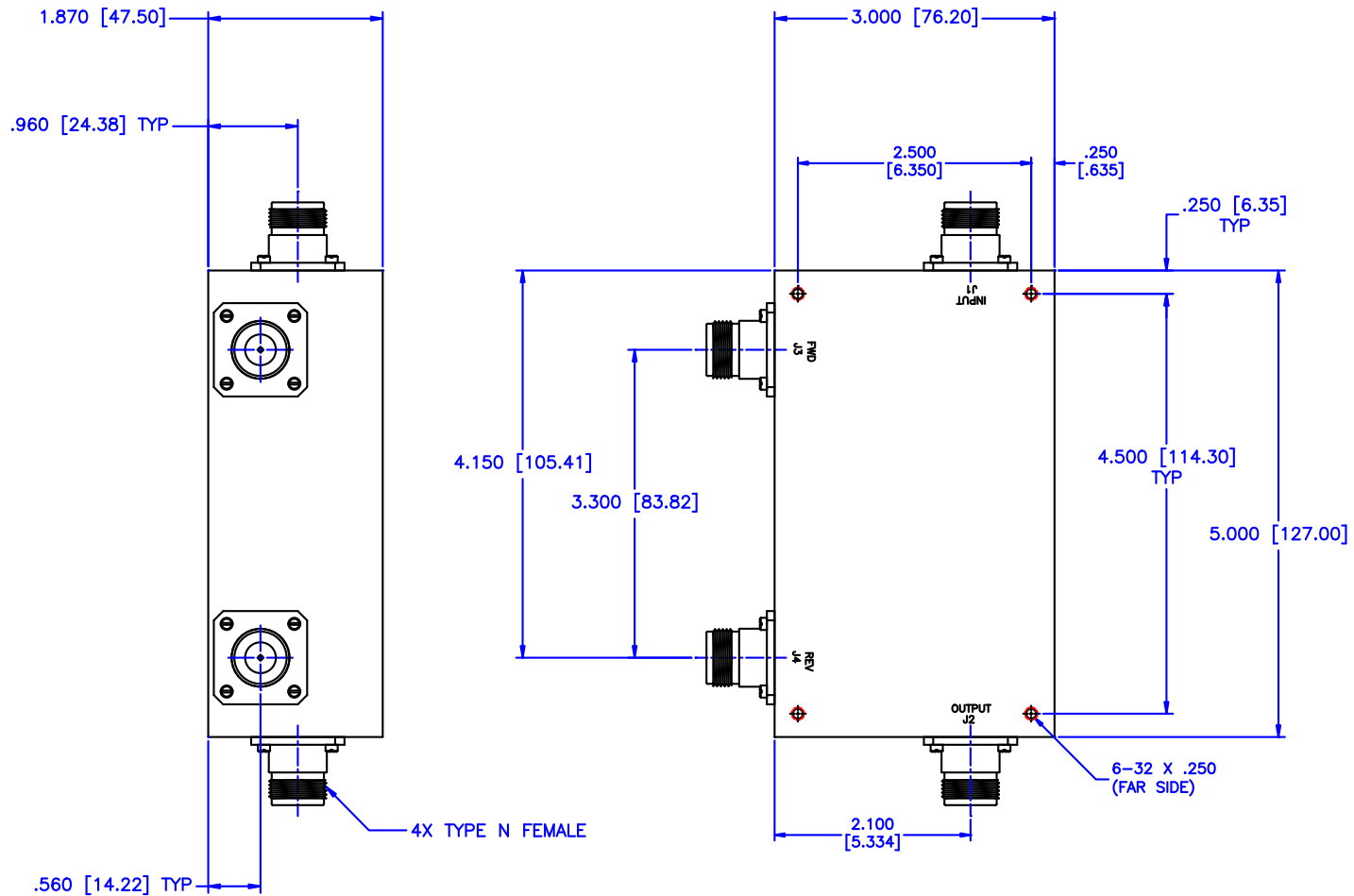


REVISIONS				
ZONE	REV	DESCRIPTION	DATE	APPROVED



SPECIFICATIONS

FREQUENCY RANGE: 20-100 MHz
 FREQUENCY SENSITIVITY: ±0.50dB
 INSERTION LOSS: 0.2dB Max.
 DIRECTIVITY: 20dB Min.
 VSWR PRIME LINE: 1.15:1 Max.
 POWER: 1500 Watts

MATERIAL:		MCLI MICROWAVE COMMUNICATIONS LABORATORIES INC. 7255 30TH AVE. N. SAINT PETERSBURG, FL 33710 TEL: (727) 344-6254 FAX: (727) 381-6116 http://WWW.MCLI.COM	SCALE: N/A
			SHEET: N/A
UNLESS OTHERWISE SPECIFIED: TOLERANCES IN (INCHES) OR [mm] (MILLIMETERS) FRACTIONS: ± 1/64 DECIMALS: ±.01 ±.005 ANGLE: ±1/2°		DRAWING TITLE: HIGH POWER DUAL DIRECTIONAL COUPLER	
DRAWN: Paiboon Luekhamhan		PART NO.: HDL-16-40	
DATE: 03-26-1999		CAGE CODE: OD2L5	
APPROVED: T. Nguyen		SIZE: C	REV: N/A
DATE: 03-26-1999		DWG NO.: 81235	
THIRD ANGLE PROJECTION		DO NOT SCALE THE DRAWING	