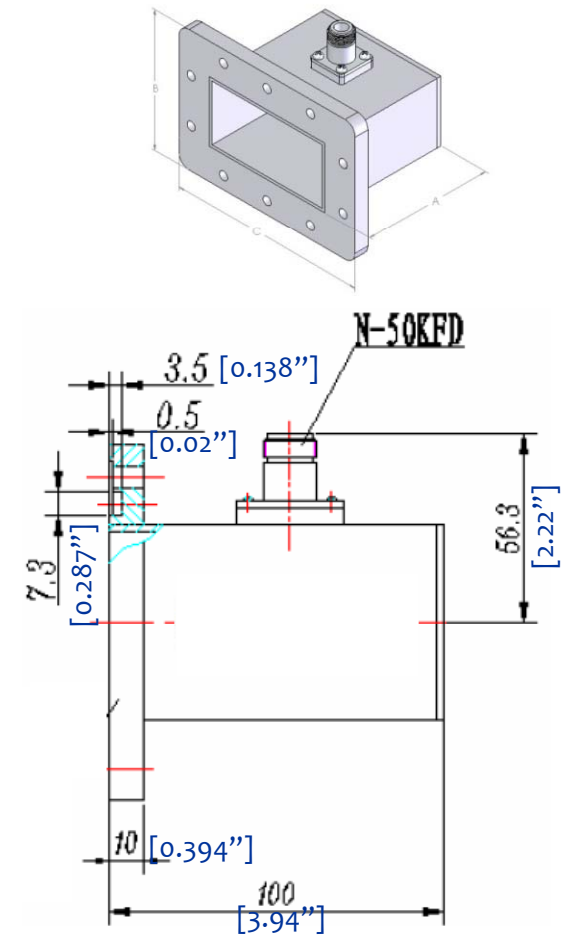
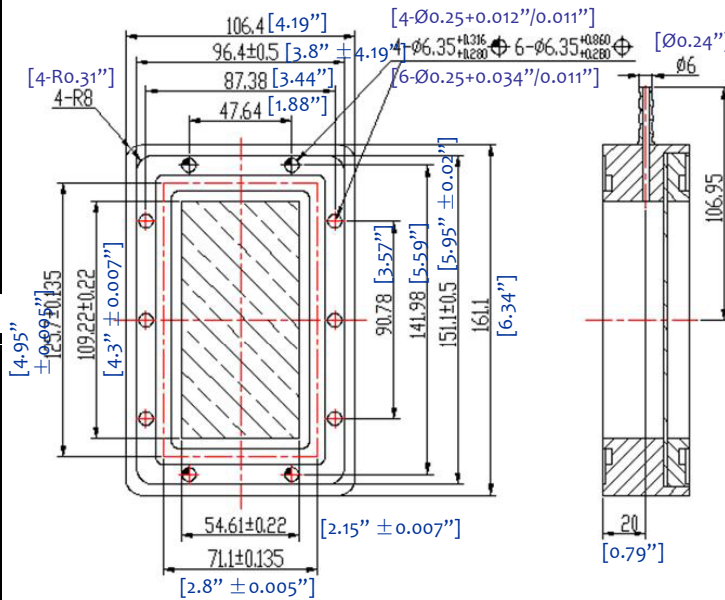


WAVEGUIDE TO COAXIAL ADAPTER--- RFWA430

1.0 Mechanical Specifications		
1.1	Waveguide type	Rectangular Waveguide WR430
1.2	Flange type	CPRG, CPRF, COVER, CHOKE available
1.3	Flange Holes	Through
1.4	Basis-material	Aluminum, Brass, Alloyed Cuprum, Stainless
1.5	Coaxial Connector	SMA, N, TNC, 7/16 (Male or Female)
1.6	Internal Body Finish	Silver Plated chromate or conversion
1.7	External Body Finish	Body painted with gray/black epoxy enamel

2.0 Environment specifications		
2.1	Operation Temp.	-40°C~+85°C
2.2	Storage Temp.	-50°C~+125°C
2.3	Altitude	45000 ft
2.4	Vibration	10g rms (15 degree 2KHz)
2.5	Humidity	100% RH at 35c, 95%RH at 40 deg c
2.6	Shock	20G for 11msc

3.0 Electrical Specifications		
3.1	Frequency Range	1.70 ~ 2.60GHz
3.2	Max. VSWR	1.20:1



Part Number: RFWA430A0CFAL

RF-Lambda _____
 Waveguide _____
 Adapter _____
 Waveguide Type Number _____

Connector Type: A=SMA, B=N, C=TNC, D=7/16
Degree: 9=90° or 0=0°
Flange Type: CG=CPRG; CF=CPRF; CO=COVER; CK=CHOKE
Material: AL=Aluminum; BS=Brass; AC=Alloyed Cuprum; SS=Stainless



PAGE 1 OF 1	DATE Oct 15 th 2004
PROPRIETARY INFORMATION THE INFORMATION CONTAINED IN THIS DOCUMENT IS THE PROPERTY OF RF-LAMBDA EXCEPT AS SPECIFICALLY AUTHORIZED IN WRITINGS BY RF-LAMBDA. THE HOLDER OF THIS DOCUMENT SHALL KEEP ALL INFORMATION CONTAINED HEREIN CONFIDENTIAL AND SHALL PROTECT SAME IN THE WHOLE OR IN PART FROM DISCLOSURE AND DISSEMINATION OF ALL THIRD PARTIES AND SHALL USE SAME FOR OPERATING AND MAINTENANCE PURPOSES ONLY	DESIGN RFPC
RF-LAMBDA	RFPC
CAD MODEL REVISION 19	ASSEMBLY REVISION VS52
ASSEMBLY NAME RFLVR17	DRAWING NUMBER D05-1
www.rflambda.com	RF-LAMBDA
SIZE LT	SHEETS 1 OF 1