



Low Loss Flexible .500 inch Foam Dielectric Type Coax Cable Double Shielded with Black PE Jacket

TECHNICAL DATA SHEET

PE-C500

Low Loss Flexible .500 inch Foam Dielectric Type Coax Cable Double Shielded with Black PE Jacket

Configuration

Cable Design	Low Loss
Inner Conductor Material and Plating	Copper Clad Aluminum
Dielectric Type	PE (F)
Shield Materials	Aluminum Tape, Tinned Copper Braid
Jacket Material and Color	PE, Black

Electrical Specifications

Impedance, Ohms	50
Velocity of Propagation, %	86
Maximum Operating Frequency, GHz	6
RF Shielding, dB	90
Capacitance, pF/ft [pF/m]	23.6 [77.43]
Maximum Operating Voltage, Volts	3,000

Electrical Specifications by Frequency

Frequency 1

Frequency, MHz	50
Attenuation, dB/100ft [dB/100m]	0.7 [2.3]
Power Handling, KWatts	3.4

Frequency 2

Frequency, MHz	150
Attenuation, dB/100ft [dB/100m]	1.2 [3.94]
Power Handling, KWatts	1.9

Frequency 3

Frequency, GHz	1.5
Attenuation, dB/100ft [dB/100m]	4.1 [13.45]
Power Handling, Watts	570

Frequency 4

Frequency, GHz	2.5
Attenuation, dB/100ft [dB/100m]	5.5 [18.04]
Power Handling, Watts	430

Mechanical Specifications

Temperature

Operating Range, deg C	-40 to +85
------------------------	------------

Click the following link (or enter part number in "SEARCH" on website) to obtain additional part information including price, inventory and certifications: [Low Loss Flexible .500 inch Foam Dielectric Type Coax Cable Double Shielded with Black PE Jacket PE-C500](#)

The information contained in this document is accurate to the best of our knowledge and representative of the part described herein. It may be necessary to make modifications to the part and/or the documentation of the part, in order to implement improvements. Pasternack reserves the right to make such changes as required. Unless otherwise stated, all specifications are nominal.





Low Loss Flexible .500 inch Foam Dielectric Type Coax Cable Double Shielded with Black PE Jacket

TECHNICAL DATA SHEET

PE-C500

Inner Conductor

Number of Strands	1
Material	Copper Clad Aluminum
Diameter, in [mm]	0.142 [3.61]

Dielectric:

Type	PE (F)
Diameter, in [mm]	0.37 [9.4]

Shield:

Number of	2
Material 1	Aluminum Tape
Material 2	Tinned Copper Braid

Jacket:

Material	PE
Diameter, in [mm]	0.5 [12.7]
Color	Black
Weight, lbs/ft [Kg/m]	0.11 [0.16]

Compliance Certifications (visit www.Pasternack.com for current document)

RoHS Compliant	Yes
----------------	-----

Plotted and Other Data

Notes:	Values at 25 °C, sea level
--------	----------------------------

Low Loss Flexible .500 inch Foam Dielectric Type Coax Cable Double Shielded with Black PE Jacket from Pasternack Enterprises has same day shipment for domestic and International orders. Our RF, microwave and fiber optic products maintain a 99% availability and are part of the broadest selection in the industry.

Click the following link (or enter part number in "SEARCH" on website) to obtain additional part information including price, inventory and certifications: [Low Loss Flexible .500 inch Foam Dielectric Type Coax Cable Double Shielded with Black PE Jacket PE-C500](#)

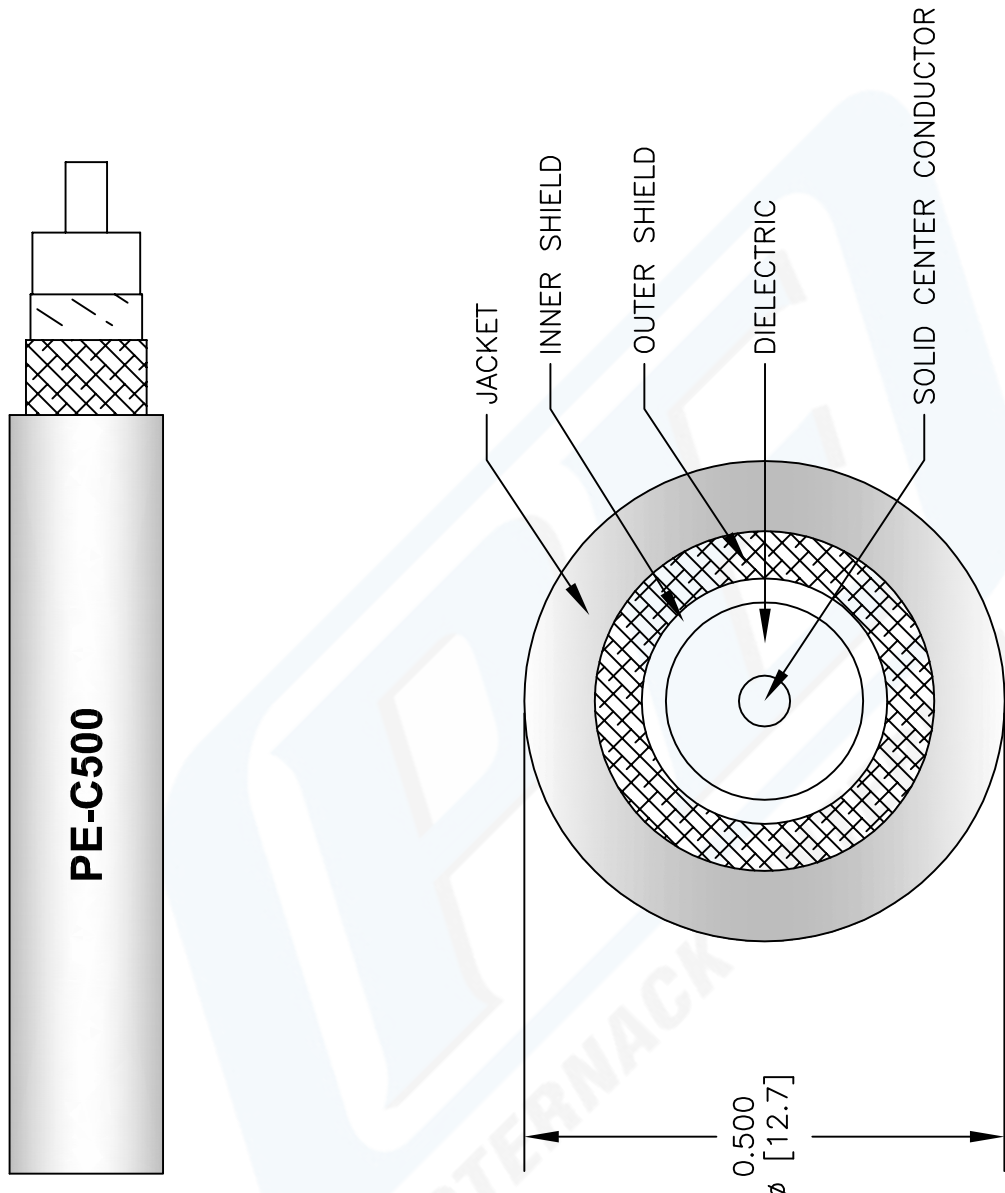
URL: <http://www.pasternack.com/flexible-0.500-50-ohm-coax-cable-pe-jacket-pe-c500-p.aspx>

The information contained in this document is accurate to the best of our knowledge and representative of the part described herein. It may be necessary to make modifications to the part and/or the documentation of the part, in order to implement improvements. Pasternack reserves the right to make such changes as required. Unless otherwise stated, all specifications are nominal.



PE-C500 CAD Drawing

Low Loss Flexible .500 inch Foam Dielectric Type Coax
Cable Double Shielded with Black PE Jacket



NOTES:
 1. UNLESS OTHERWISE SPECIFIED ALL DIMENSIONS ARE NOMINAL.
 2. ALL SPECIFICATIONS ARE SUBJECT TO CHANGE WITHOUT NOTICE AT ANY TIME.
 3. DIMENSIONS ARE IN INCHES (mm).

DWG TITLE		CAD FILE		SCALE	SIZE
PE-C500		040113-A	N/A	A	127
FSCM NO. 53919					

PASTERNAK®
 Pasternack Enterprises, Inc.
 P.O. Box 16759 | Irvine | CA | 92623
 Phone: (949) 261-1920 | Fax: (949) 261-7451
 Website: www.pasternack.com | E-Mail: sales@pasternack.com