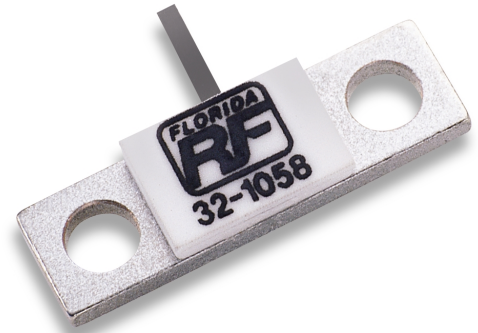
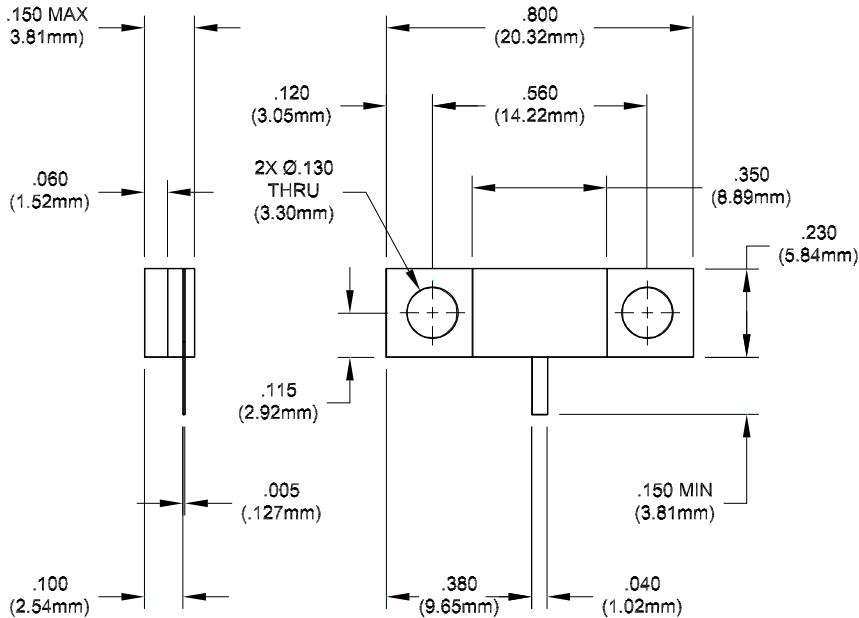


HIGH POWER FLANGE MOUNT BERYLLIUM OXIDE TERMINATIONS

120 Watts Part No. 32-1058 Termination, Flange Mount



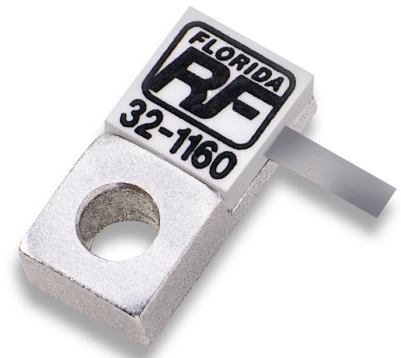
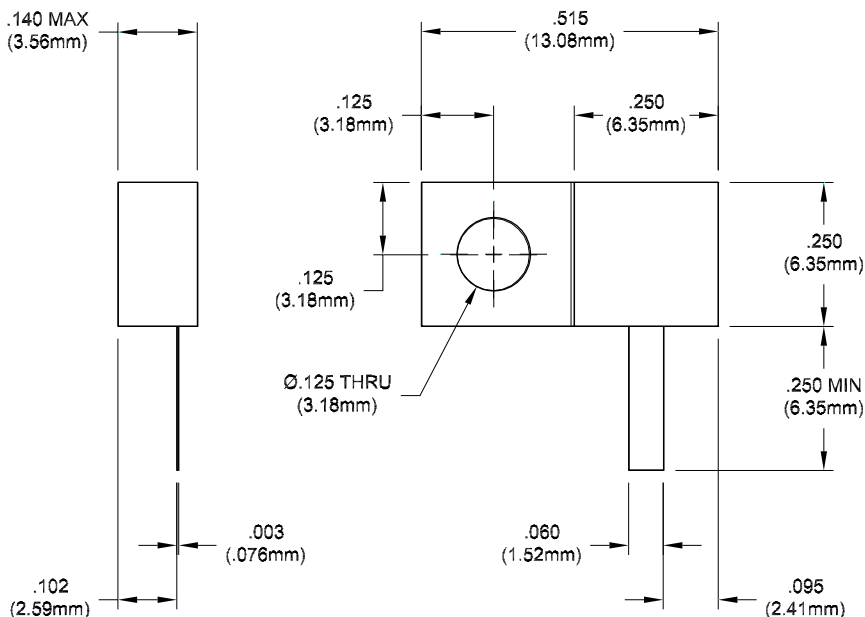
PERFORMANCE SPECIFICATIONS

120 Watts
Part No. 32-1058

Frequency: DC to 2.0 GHz

VSWR (Max): 1.10:1

120 Watts Part No. 32-1160 Termination, Flange Mount



PERFORMANCE SPECIFICATIONS

120 Watts
Part No. 32-1160

Frequency: DC to 2.0 GHz

VSWR (Max): 1.10:1