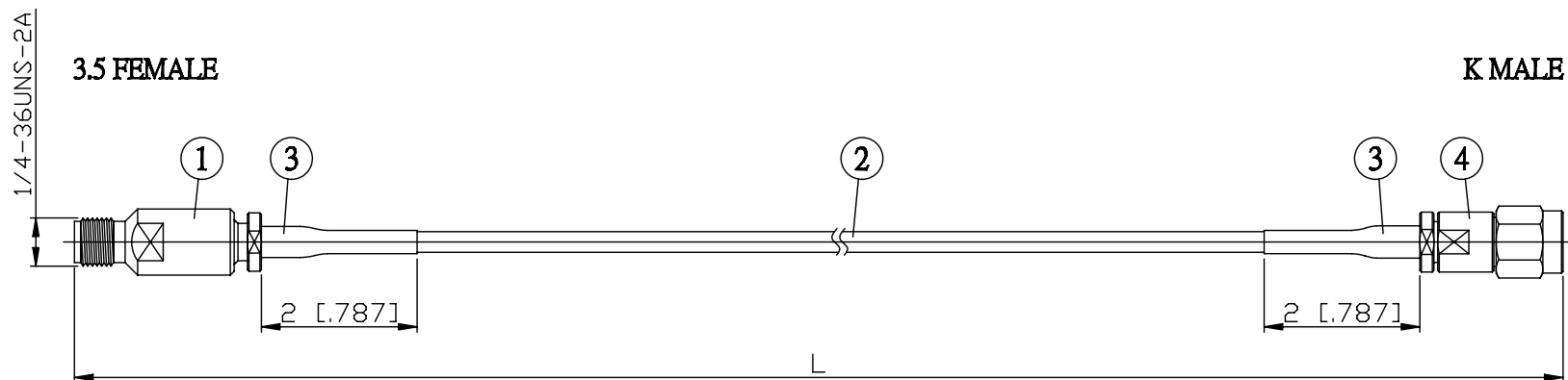


NO.	COMPONENTS	IMPEDANCE
1	3.5 FEMALE	50 OHM
2	5002	50 OHM
3	HEAT SHRINKING TUBE	
4	K MALE	50 OHM

**TEST LEAD WITH EXTRA STURDY  
CABLE / CONNECTOR CONNECTION.**



JYE BAO P/N	Freq. (GHz)	Max. Return Loss	L CM (INCH)
PC80K30-5002-33G50	33	-17dB	50 (19.685)
PC80K30-5002-33G100			100 (39.370)
PC80K30-5002-33G150			150 (59.055)
PC80K30-5002-33G200			200 (78.740)
PC80K30-5002-33GXXX			CUSTOM LENGTH IN CM

LENGTH TOLERANCE IS $\pm 1.5\%$ OR $\pm 10\text{MM}$ , WHICHEVER IS GREATER.	<b>JYE BAO CO., LTD.</b> TAIPEI TAIWAN
	DESCRIPTION CABLE ASSEMBLY 3.5 JACK TO K PLUG
	JYE BAO DRAWING NO. PC80K30-5002-33GXXX