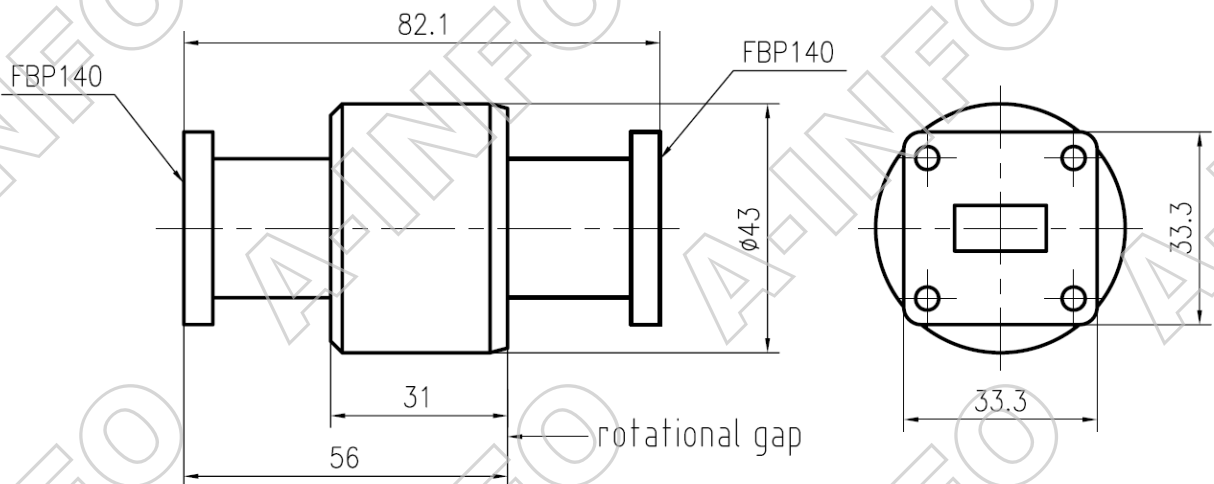


Technical Specification



Frequency Range(GHz)	16.0 - 17.0
Waveguide	WR62
VSWR	1.3 max
Insertion Loss(dB)	0.4 max
Average Power(W)	100
Peak Power(KW)	4
Flange	FBP140
Material	Al
Net Weight(Kg)	0.25 Around

Outline Drawing (Size: mm)



Test Results

Insertion Loss & VSWR

CH1	S11	SWR	200 m / REF 1	5: 1.0381	17.000 000 000 GHz
CH2	S21	LOG	5 dB / REF 0 dB	5: -.15200 dB	
CH4	S22	SWR	200 m / REF 1	5: 1.0296	

