



EUROPEAN ANTENNAS

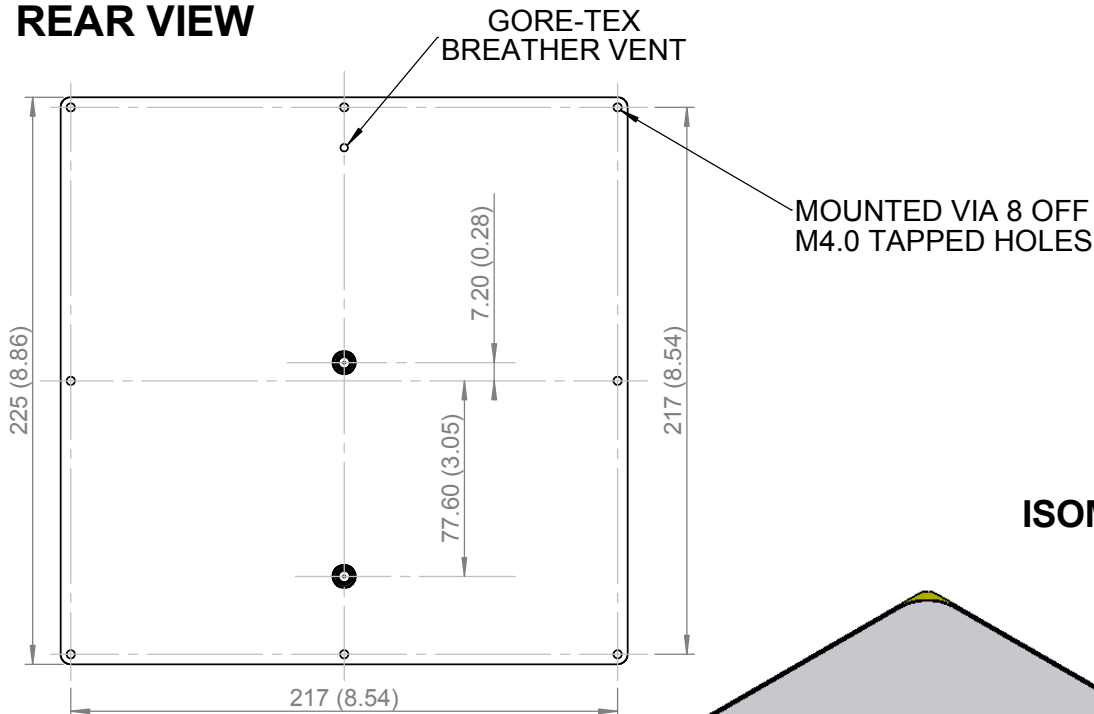
Excellence through design
Creative in concept

FLAT PANEL ANTENNA

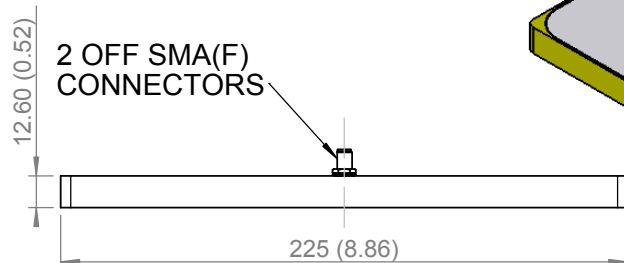
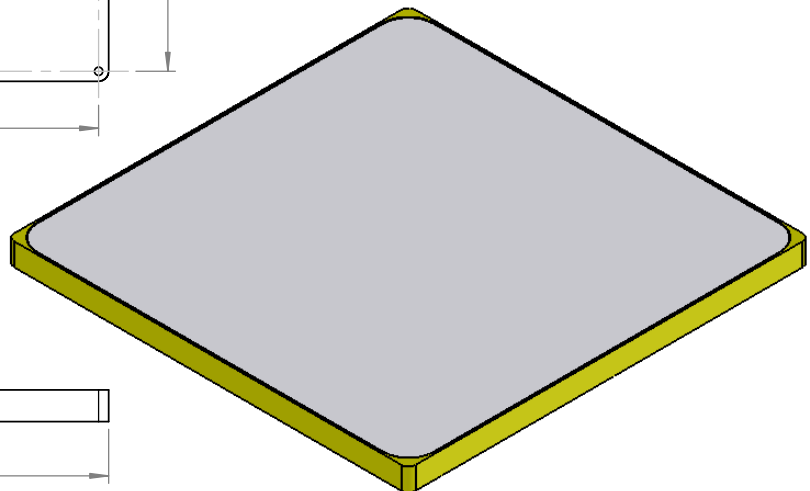
MODEL: FPA13-22VH/1218

FREQUENCY:	2.1 - 2.3 GHz	GAIN:	14 dBi Typical
POLARISATION:	Linear, Vertical & Horizontal	BEAMWIDTH:	30° (Az) x 30° (El)
CROSS POLAR:	25 dB Minimum	VSWR:	1.43:1 Maximum
POWER RATING:	50 W	ISOLATION:	>30 dB Band edges, 50 dB Band Ctr.
TEMPERATURE:	-40° to +60°C	MASS:	0.630 Kg / 1.38 lbs
FINISH:	Alocrom 1200, White Radome	WIND LOADING:	7.99 Kg / 17.59 lbs @ 100 mph

REAR VIEW



ISOMETRIC VIEW



BASE VIEW

GA:1218-1 Issued: 121005 DIMENSIONS: mm (inches) L

EUROPEAN ANTENNAS LTD.

Tel: +44 (0)1638 731888
Fax: +44 (0)1638 731999

LAMBDA HOUSE, CHEVELEY
NEWMARKET, SUFFOLK, CB8 9RG,
UNITED KINGDOM

E-Mail: sales@european-antennas.co.uk
Website: www.european-antennas.co.uk

European Antennas Ltd. has a policy of continuous development and therefore stress that the data contained on this sheet should be used for guidance only.